

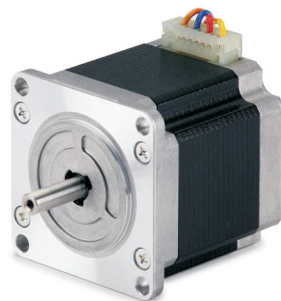
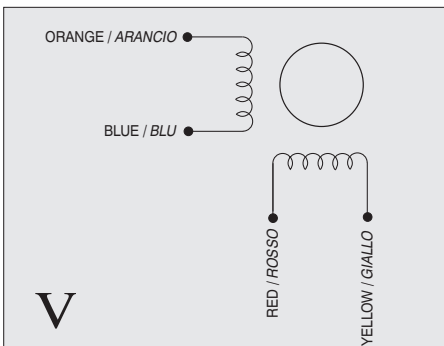
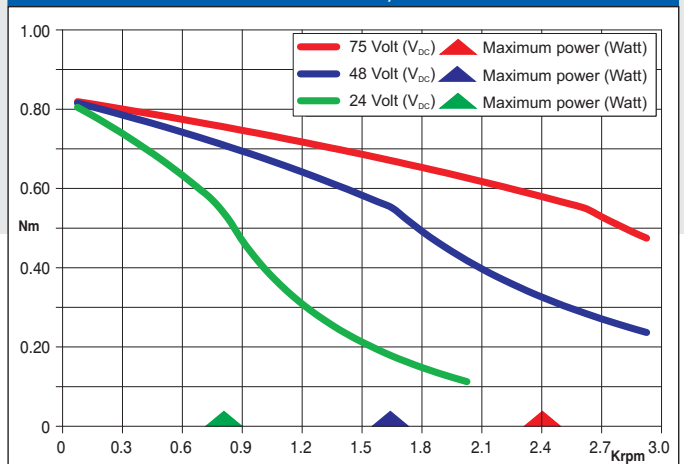
Dimensions in mm.

FEATURES
CARATTERISTICHE

	103 - H7123 - 1749 (103 - H7123 - 1711)
BASIC STEP ANGLE	1.8° ± 0.09°
BIPOLAR CURRENT (Amp)	4
UNIPOLAR CURRENT (Amp)	
RESISTANCE (Ohm)	0.41
INDUCTANCE (mH)	1.6
BIPOLAR HOLDING TORQUE (Ncm)	110
UNIPOLAR HOLDING TORQUE (Ncm)	
ROTOR INERTIA (Kgm ² x 10 ⁻⁷)	210
THEORETICAL ACCELERATION (rad x sec. ⁻²)	50000
BACK E.M.F. (V/Krpm)	20
MASS (Kg)	0.65
LEADS CODE	V

Codes between brackets refer to double shaft models.
Le sigle fra parentesi si riferiscono ai modelli bialbero.

TORQUE/SPEED CURVE
CURVA DI COPPIA/VELOCITÀ



R.T.A. s.r.l. PAVIA (ITALY) SANYO DENKI CO., Ltd (JAPAN)

EIMC 03-11

Suggested R.T.A. driver: CSD Series, NDC Series, HGD Series, PLUS Series.



R.T.A. s.r.l.
Via E. Mattei - Fraz. Divisa
27020 MARCIGNAGO (PV) ITALY
Tel. +39.0382.929.855 - Fax +39.0382.929.150
www.rta.it

R.T.A. Deutschland GmbH
Bublitzer Straße 34
40599 DÜSSELDORF (Germany)
Tel. +49.211.749.668.60 - Fax +49.211.749.668.66
www.rta-deutschland.de

R.T.A. IBERICA-Motion Control Systems S.L.
C/Generalitat 22, 1° 3°
08850 GAVA - BARCELONA (Spain)
Tel. +34.936.388.805 - Fax +34.936.334.595
www.rta-iberica.es