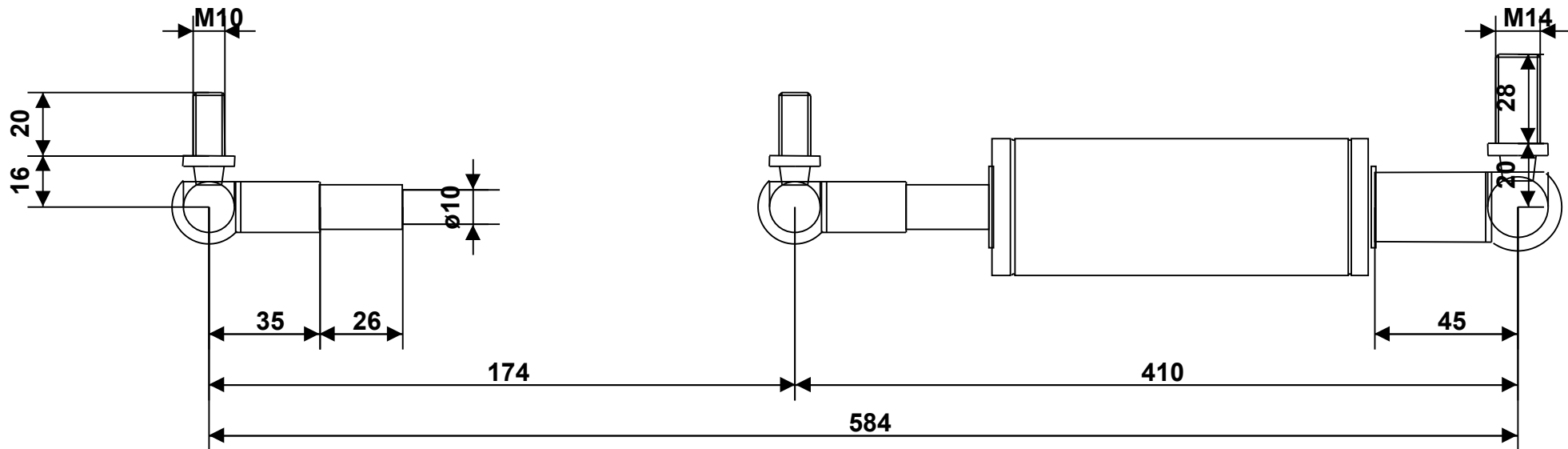


Hahn Part Number: Z10-40ST#00672
Z 10 40 0168 0 0584 WG35 WG45 01600N /5/Si



Intended for internal use and customer / Tolerance of ext. length: +/- 2mm - Dimensions without tolerance: per DIN ISO 2768-1 -c (ISO 2768 -c) - For Information Only
 Force tolerance: F1 >= 1000N: +/- 5%; < 1000N: +/- 10%, min.: +/- 10N, max.: +/- 50N - Unregistered Copy, Print-out or file not subject to modification service.
 End fitting orientation is random and not represented by drawing unless specified - Observe disposal instructions - Not true to scale



Please note our technical instructions

Assembly/storing with piston rod up

09. July 2020

Auto-Printservice

No opening-no heating-high pressure

Made in Germany

Part

Dimension

Material / Surface

Fitting

Progr.:65,20 %

Drawing owned by Hahn Gasfedern GmbH

Piston rod

Ø10mm

steel, chrome plated

WG35 M10 CS16 * ANS/M10/WIG/001

info@hahn-gasfedern.de

Cylinder

Ø40mm

Stahl,black

WG45 M14x1.5 CS19 * ANS/M14/WIG/001

www.hahn-gasfedern.de

Configuration ID : 10067115-