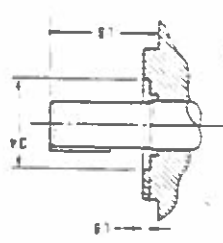
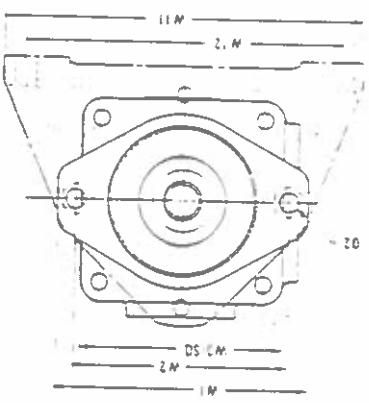
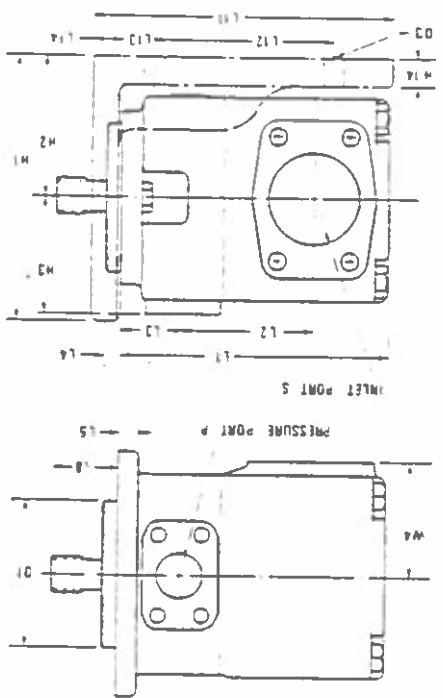


ments

## T5E & T5SE



### Installation Dimensions

mm	Inch	L1	L2	L3	L4	L5	L6	L8	L8	L9	L10	L11	L12	L13	L14	L15
3.88	0.15	7.125	7.125	7.125	7.125	7.125	7.125	7.125	7.125	7.125	7.125	7.125	7.125	7.125	7.125	7.125
1.00	0.04	1.00	1.00	1.00	1.00	1.00	1.00	1.00	1.00	1.00	1.00	1.00	1.00	1.00	1.00	1.00

mm	Inch	W1	W2	W3 S4	W4	W11	W12	H1	H2	H3	H3	H4	D1	D2	D3	D4
212.9	8.38	7.125	6.82	3.88	12.00	10.62	8.94	4.75	3.38	1.00	2.54	5.00	4.998	0.69	0.69	3.00
173.2	6.82															
98.5	3.88															
304.5	12.00															
289.7	10.62															
227.1	8.94															
120.1	4.75															
98.6	3.88															
2.54	1.00															
127.00	5.00															
126.95	4.998															
17.5	0.69															
17.5	0.69															
76.2	3.00															

### Shaft Dimensions

Shaft Code	Type	Dim.	L1	L2	L3	L4	L5	L6	L8	Key Shaft Dimensions			Spline Shaft Dimensions			
										Dim.	Sec. Key	Section over Key	Key	Major Dia.	Minor Dia.	No. Teeth
1	Keyed - SAE-CC	inch	3.56	1.50	1.98	1.52	1.668	2.00	2.00	X	X	X	X	X	X	X
2	Keyed - non SAE	inch	2.44	1.25	1.248	1.25	1.388	1.00	2.1	X	X	X	X	X	X	X
3	Splined - SAE-C	inch	2.19	5.56	5.56					X	X	X	14	12/24	30°	0.94

4-bolt pads per SAE-5188

### Port Dimensions

Connection	Dim.	Y	W	X	Z
Port P Pressure	inch	1.46	1.38	2.50	0.70
Port S Inlet	inch	3.00	2.09	4.88	1.22

