

SECTION A-A

NOTES:

1. MATERIAL:
HOUSING: GLASS FILLED POLYESTER UL 94V-0, COLOR BLACK.
TERMINAL: BERYLLIUM COPPER
2. PLATING:
1.27 MICROMETER MINIMUM GOLD PLATE ON CANTILEVER AREA,
0.38 MICROMETER MINIMUM GOLD PLATE ON SELECT SL TAIL AREA
NICKEL PLATE OVER ALL.
3. PRODUCT CONFORMS TO PS-73099-9999.
4. PACKAGING SPECIFICATION PK-70873-1000
5. 73099-**** CONNECTOR ALSO MATES WITH "SL" SERIES 70066,
70400 AND 70430.
6. SEE SHEET 2 FOR PANEL MOUNTING AND MATING DETAILS.
7. HOT STAMP DATE CODE IS WEEK, YEAR.
8. RECYCLING LOGO TO APPEAR WHERE ROOM IS AVAILABLE.
9. THIS PART CONFORMS TO CLASS B REQUIREMENTS OF COSMETIC SPECIFICATION PS-45499-002.

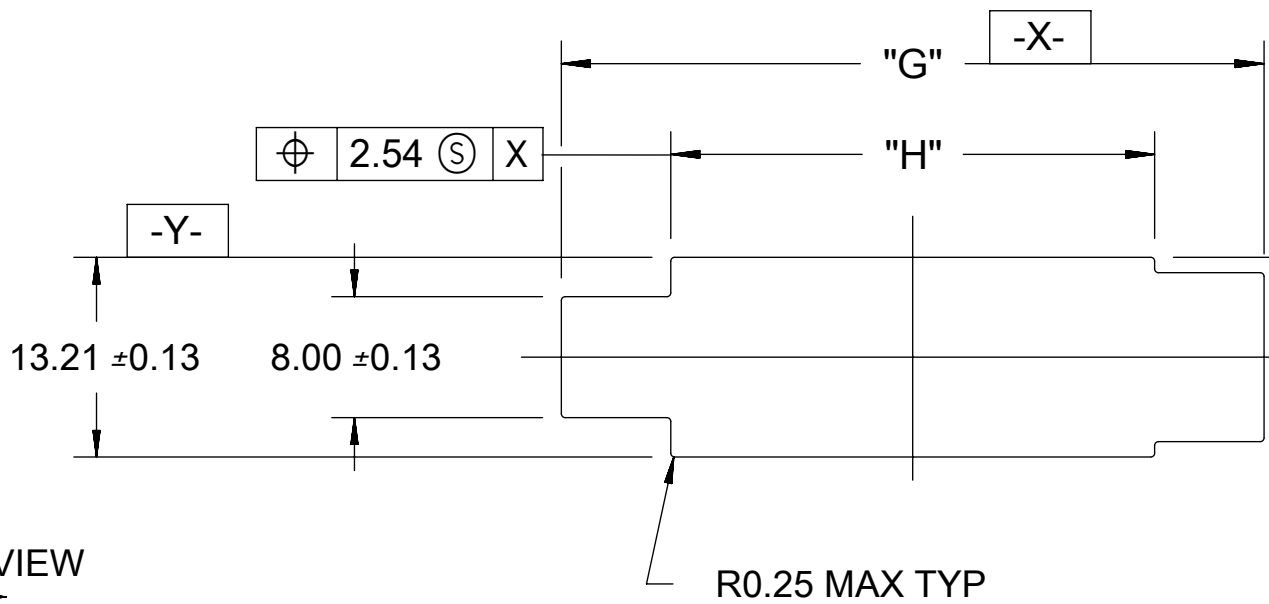
| PART NUMBERS | CKT. SIZE | DIM. "A" | DIM. "B" | DIM. "C" | DIM. "D" | DIM. "E" | DIM. "F" |
|--------------|-----------|----------|----------|----------|----------|----------|----------|
| 73099-3004 | 04 | 30.99 | 22.10 | 7.62 | 10.67 | 28.27 | 12.70 |
| 73099-3005 | 05 | 33.53 | 24.64 | 10.16 | 13.21 | 30.81 | 15.24 |
| 73099-3006 | 06 | 36.07 | 27.18 | 12.70 | 15.75 | 33.35 | 17.78 |
| 73099-3007 | 07 | 38.61 | 29.72 | 15.24 | 18.29 | 35.89 | 20.32 |
| 73099-3008 | 08 | 41.15 | 32.26 | 17.78 | 20.83 | 38.43 | 22.86 |
| 73099-3009 | 09 | 43.69 | 34.80 | 20.32 | 23.37 | 40.97 | 25.40 |
| 73099-3010 | 10 | 46.23 | 37.34 | 22.86 | 25.91 | 43.51 | 27.94 |
| 73099-3011 | 11 | 48.77 | 39.88 | 25.40 | 28.45 | 46.05 | 30.48 |
| 73099-3012 | 12 | 51.31 | 42.42 | 27.94 | 30.99 | 48.59 | 33.02 |

| | | | | |
|---|---|--|--|--|
| SYMBOLS DIMENSION UNITS: mm SCALE: 3:1 GENERAL TOLERANCES (UNLESS SPECIFIED) ANGULAR TOL: ± ° 4 PLACES ± 3 PLACES ± 2 PLACES ± 0.25 1 PLACE ± 0.38 0 PLACES ± DRAFT WHERE APPLICABLE MUST REMAIN WITHIN DIMENSIONS THIRD ANGLE PROJECTION | THIS DRAWING CONTAINS INFORMATION THAT IS PROPRIETARY TO MOLEX ELECTRONIC TECHNOLOGIES, LLC AND SHOULD NOT BE USED WITHOUT WRITTEN PERMISSION CURRENT REV DESC: CORRECT NOTE 3 | | | |
| | EC NO: 613011 DRWN: GJEEVANSURES 2019/02/28 CHK'D: GJEEVANSURES 2019/03/05 APPR: ISHWARG 2019/03/07 | | | |
| INITIAL REVISION: DRWN: MKIPPER 2017/02/16 APPR: FSMITH 2017/10/09 | | DOCUMENT NUMBER: SD-73099-3000 DOC TYPE: PSD DOC PART: 000 REVISION: E1 | | PRODUCT CUSTOMER DRAWING MATERIAL NUMBER: SEE CHART CUSTOMER: GENERAL MARKET SHEET NUMBER: 1 OF 2 |
| DRAFT WHERE APPLICABLE MUST REMAIN WITHIN DIMENSIONS THIRD ANGLE PROJECTION | | DRAWING: C-SIZE SERIES: 73099 | | |

| PANEL DIMENSIONS | | | |
|------------------|----------|----------|----------|
| CKT. SIZE | DIM. "G" | DIM. "H" | DIM. "I" |
| 04 | 31.24 | 16.76 | 28.65 |
| 05 | 33.78 | 19.30 | 31.19 |
| 06 | 36.32 | 21.84 | 33.73 |
| 07 | 38.86 | 24.38 | 36.27 |
| 08 | 41.40 | 26.92 | 38.81 |
| 09 | 43.94 | 29.46 | 41.35 |
| 10 | 46.48 | 32.00 | 43.89 |
| 11 | 49.02 | 34.54 | 46.43 |
| 12 | 51.56 | 37.08 | 48.97 |

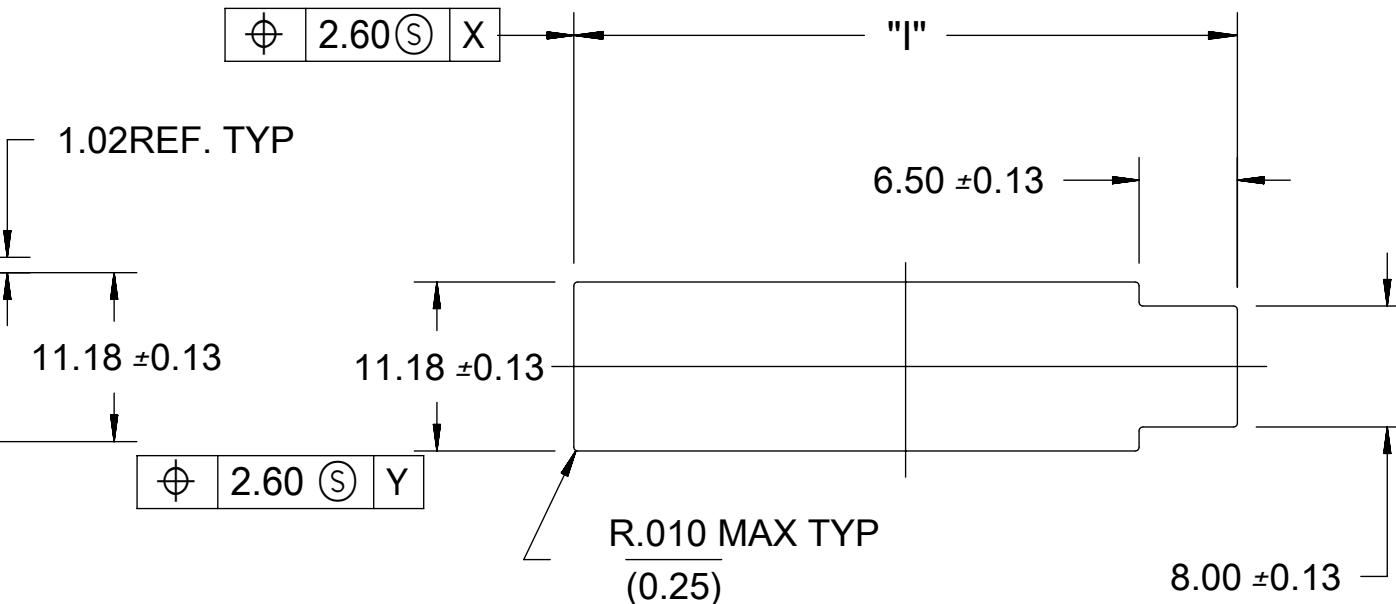
FLOATING PANEL VIEW

VIEW FROM PUNCH SIDE
(SCALE 2:1)



NON-FLOATING PANEL VIEW

VIEW FROM PUNCH SIDE
(SCALE 2:1)

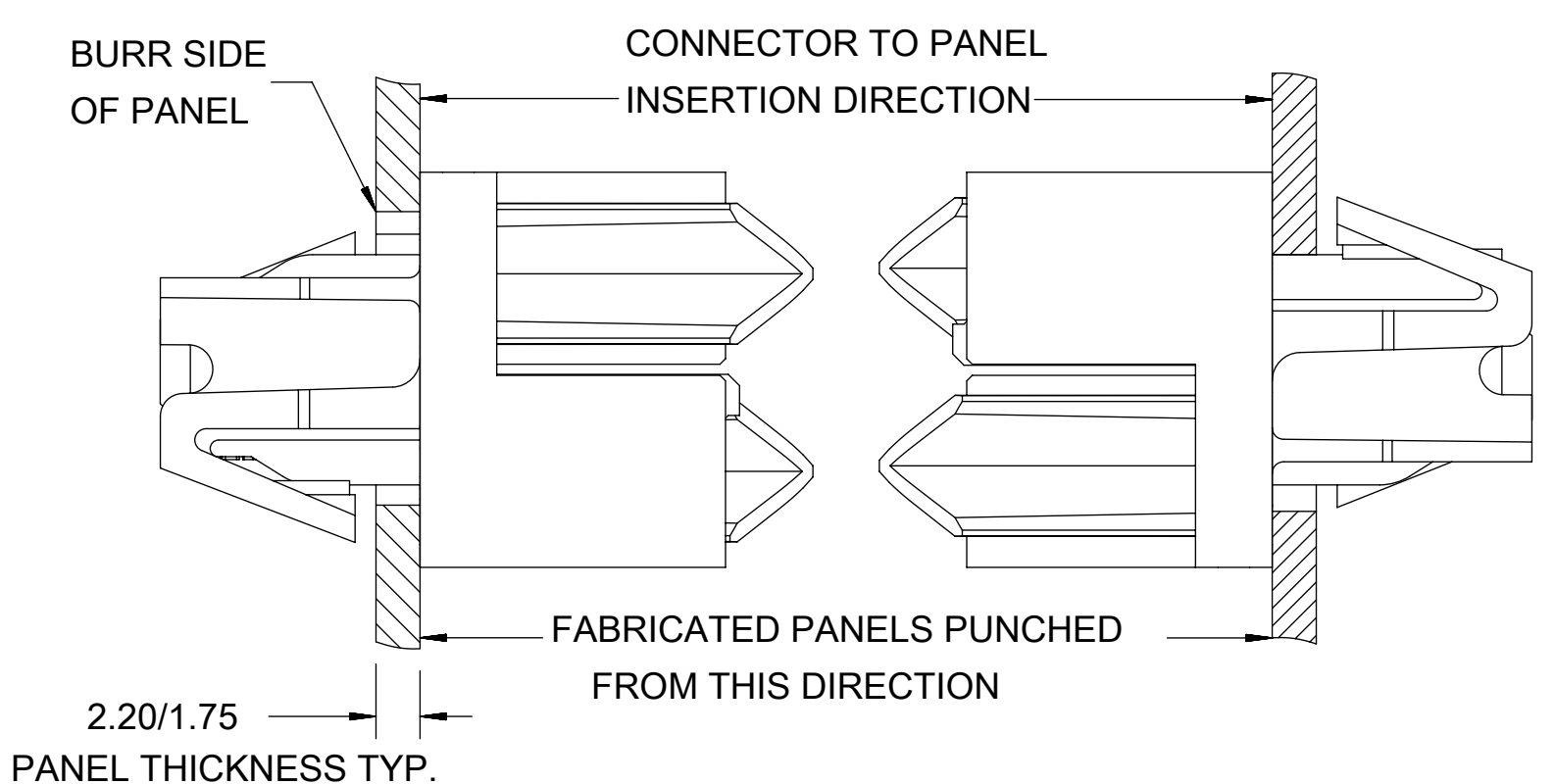


POSITIONAL TOLERANCE FOR
PANEL TO PANEL LOCATION

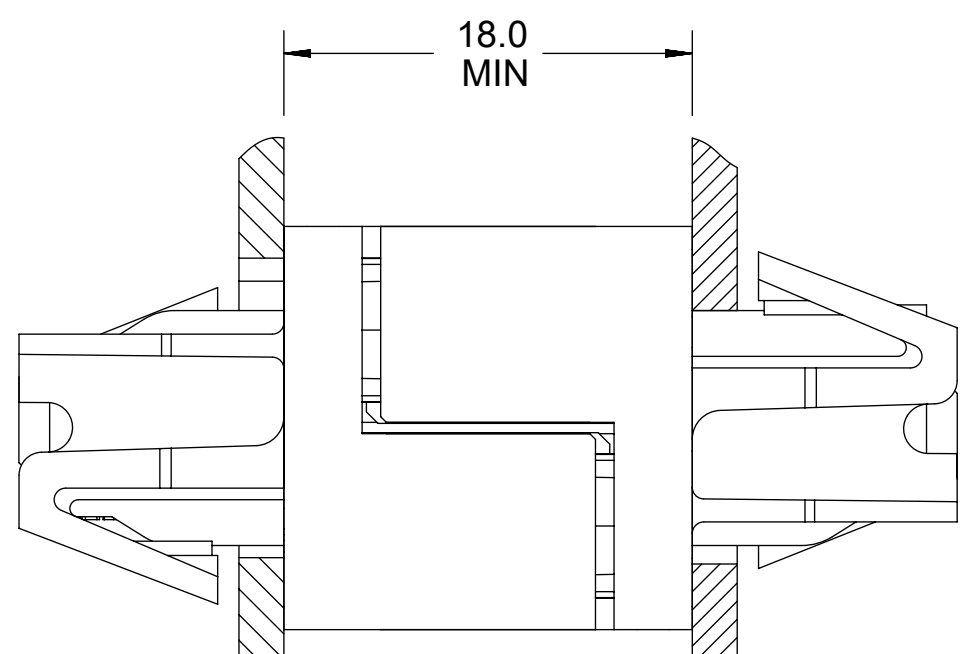
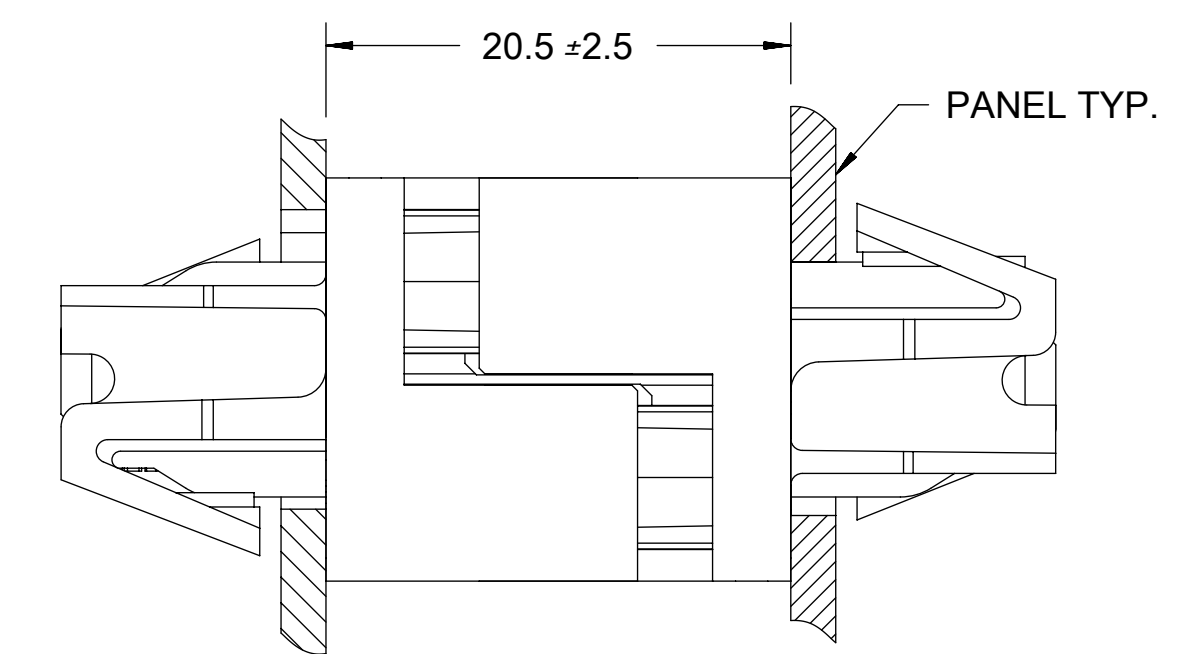
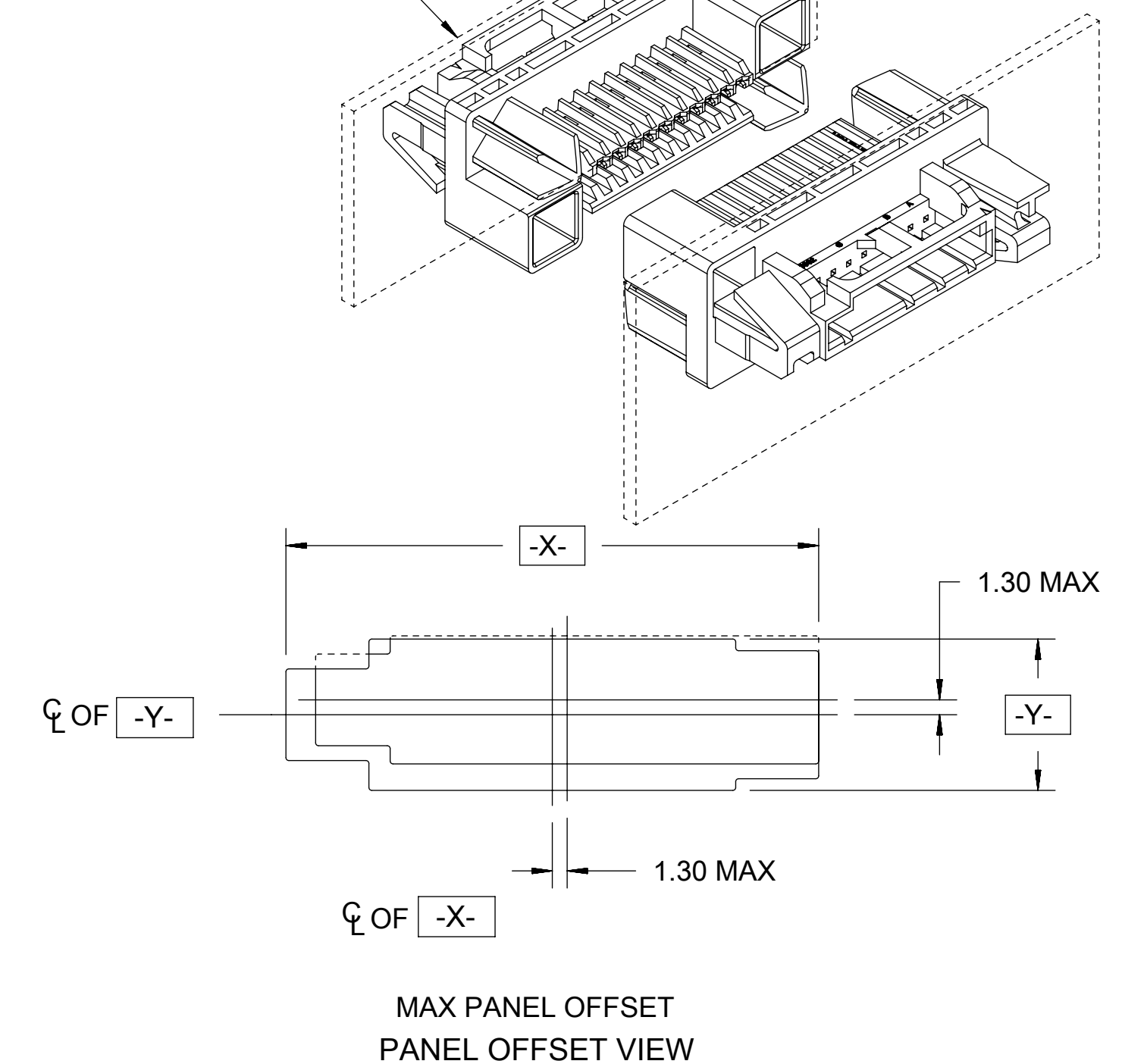
NOTE: MATING SYSTEM MUST USE A FLOATING PANEL
IN CONJUNCTION WITH A NON FLOATING PANEL.

FLOAT PANEL VIEW

NON - FLOAT PANEL VIEW



PANEL OFFSET VIEW



| | | | | | | | | | | | |
|-----------------|---|--|---------|-----------------|------------------------|---------------|--------------------------|-----|----------|-----|--------------|
| QUALITY SYMBOLS | THIS DRAWING CONTAINS INFORMATION THAT IS PROPRIETARY TO MOLEX ELECTRONIC TECHNOLOGIES, LLC AND SHOULD NOT BE USED WITHOUT WRITTEN PERMISSION | | | | | | | | | | |
| ▽ = 0 | CORRECT NOTE 3 EC NO: 613011 DRWN: GJEEVANSURES CHKD: GJEEVANSURES APPR: ISHWARG 2019/02/28 2019/03/05 2019/03/07 | GENERAL TOLERANCES (UNLESS SPECIFIED) | | DIMENSION UNITS | SCALE | | | | | | |
| ▽ = 0 | | ANGULAR TOL ± ° | | mm | 3:1 | | | | | | |
| ▽ = 0 | | 4 PLACES ± | MKIPPER | | DATE | 2017/02/16 | | | | | |
| ▽ = 0 | | 3 PLACES ± | CHKD BY | | DATE | 2017/10/05 | | | | | |
| ▽ = 0 | | 2 PLACES ± 0.25 | JTBELL | | DATE | 2017/10/05 | | | | | |
| ▽ = 0 | | 1 PLACE ± 0.38 | APPR BY | | DATE | 2017/10/09 | | | | | |
| ▽ = 0 | | 0 PLACES ± | FSMITH | | DATE | 2017/10/09 | | | | | |
| ▽ = 0 | | DRAFT WHERE APPLICABLE MUST REMAIN WITHIN DIMENSIONS | | DRAWING SIZE | THIRD ANGLE PROJECTION | | PRODUCT CUSTOMER DRAWING | | | | |
| ▽ = 0 | | E1 | C | 73099 | | SEE CHART | GENERAL MARKET | | | | |
| | | | | DOCUMENT NUMBER | | SD-73099-3000 | DOC TYPE | PSD | DOC PART | 000 | SHEET NUMBER |