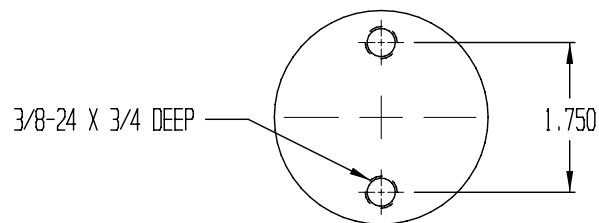
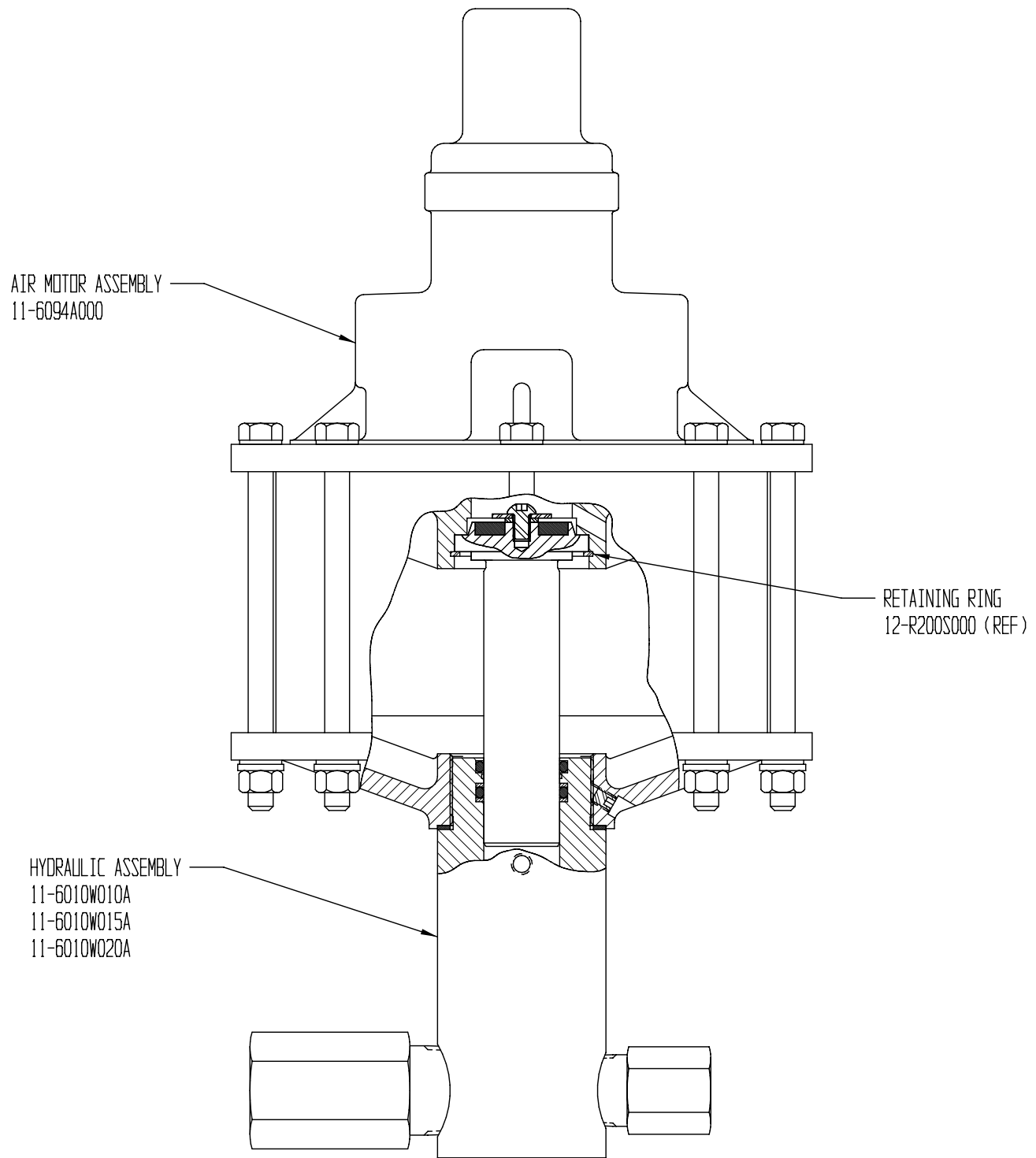




PUMP ASSEMBLY 10-600AW010 THRU W020

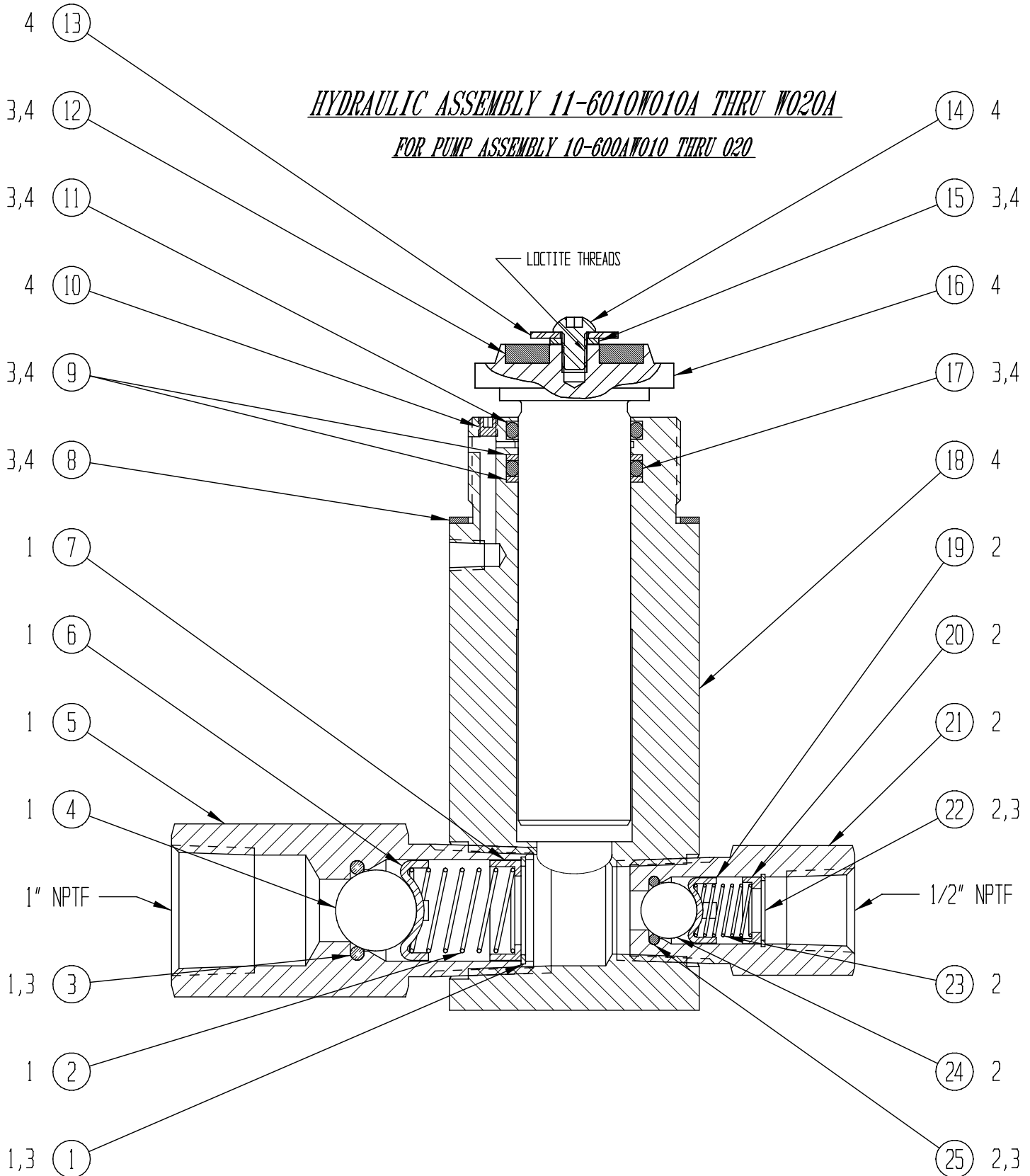


MOUNTING DIMENSIONS



HYDRAULIC ASSEMBLY 11-6010W010A THRU W020A

FOR PUMP ASSEMBLY 10-600AW010 THRU 020



4 INCLUDED IN 11-6011WXXXA* PISTON & CYLINDER ASSEMBLY

3 INCLUDED IN 11-6099NXXXA* HYDRAULIC REPAIR KIT

2 INCLUDED IN 11-5023S000 OUTLET CHECK VALVE ASSEMBLY

1 INCLUDED IN 11-5031S000 INLET CHECK VALVE ASSEMBLY

* REPRESENTS PUMP ASSEMBLY MODEL NUMBER
EXAMPLE: 11-6099N010A = HYDRAULIC REPAIR
KIT FOR 10-600AW010 PUMP



SOUTHERN CALIFORNIA HYDRAULIC ENGINEERING CORPORATION

Designer and Manufacturers of Hydraulic & Pneumatic Equipment

1130 COLUMBIA STREET, BREA, CALIFORNIA 92821 - (714) 257-4800 - FAX (714) 257-4810

BILL OF MATERIALS FILE: 11-6010W010A-W020A.XLS
 DRAWING NUMBER & DESCRIPTION: 11-6010W010A THRU W020A HYDRAULIC ASSEMBLY

11-6010			REVISION: 08/07/06				
W010A (20:1)	W015A (25:1)	W020A (35:1)	ITEM NO	QTY	PART NO	DESCRIPTION	REFERENCE NO
•	•	•	1	1	P10202-100	RETAINING RING	12-R100S000
•	•	•	2	1	11-5033S000	SPRING	10-450-33
•	•	•	3	1	P11003-210	O-RING	12-6227N015S
•	•	•	4	1	12-0440S812	CHECK BALL	
•	•	•	5	1	11-5035S000	SEAT-INLET	10-450-35
•	•	•	6	1	11-5034S003	BALL GUIDE	10-450-34-3
•	•	•	7	1	11-5032S000	SPRING GUIDE	10-450-32
•	•	•	8	1	11-5028N000	GASKET	10-450-28
•			9	2	P11227-221	BACK UP	12-8774T026
	•		9	2	P11227-219	BACK UP	12-8774T024
		•	9	2	P11227-216	BACK UP	12-8774T021
•	•	•	10	1	P10226-019	SET SCREW	
•			11	1	P11015-221	O-RING TEFLON	12-6227T026
	•		11	1	P11015-219	O-RING TEFLON	12-6227T024
		•	11	1	P11015-216	O-RING TEFLON	12-6227T021
•	•	•	12	1	11-5051P000	PISTON BUMPER	10-450-51
•	•	•	13	1	12-25N87WF1Z	FENDER WASHER	
•	•	•	14	1	12-25F37SBC45Z	BUTTON HEAD CAP	
•	•	•	15	1	P10212-025	HELICAL SPRING LOCK WASHER	12-5001C407
•			16	1	11-6008S010	HYDRAULIC PISTON	10-550-8-1
	•		16	1	11-6008S015	HYDRAULIC PISTON	10-550-8-1.50
		•	16	1	11-6008S020	HYDRAULIC PISTON	10-550-8-2
•			17	1	P11000-221	O-RING	12-6227N026
	•		17	1	P11000-219	O-RING	12-6227N024
		•	17	1	P11000-216	O-RING	12-6227N021
•			18	1	11-6009B010A	HYDRAULIC CYLINDER	10-550-9-1A
	•		18	1	11-6009B015A	HYDRAULIC CYLINDER	10-550-9-1.50A
		•	18	1	11-6009B020A	HYDRAULIC CYLINDER	10-550-9-2A
•	•	•	19	1	11-5034S002	BALL GUIDE	10-450-34-2
•	•	•	20	1	11-5017S000	SPRING GUIDE	10-450-17
•	•	•	21	1	11-5020S000	SEAT-OUTLET	10-450-20
•	•	•	22	1	P10202-068	RETAINING RING	12-R068S000
•	•	•	23	1	11-5013S000	SPRING	10-450-13
•	•	•	24	1	12-0440S562	CHECK BALL	
•	•	•	25	1	P11003-112	O-RING	12-6227N010S

Where Used
 Pump Assemblies

10-60EAW010-W020