

2V Series

Back
2V



Specification

Model	2V025-06	2V025-08	2V130-10	2V130-15	2V250-20	2V250-25
Fluid	Air, Water, Oil					
Acting	Direct acting			Internally piloted acting		
Type	Normally closed					
Orifice size (Φ mm)	2.5	2.5	13.0	13.0	25.0	25.0
Cv valve	0.23	0.25	6.20	6.20	13.00	13.00
Port size ①	1/8"	1/4"	3/8"	1/2"	3/4"	1"
Viscosity limit	Under 20CST					
Pressure range	0~1.0MPa(0~145psi)			0.05~1.0MPa(7~145psi)		
Proof pressure	1.5MPa(215psi)					
Material body	Brass with zinc plated				Brass	
Seal material	VITON				NBR	
Min. activating time sec	0.05 sec and below					

① PT thread, NPT thread and G thread are available.

Specification of coil

Valve type	Power type	Frequency (Hz)	Voltage range	Electrical entry	Power Consumption (VA/W)	Insulation	Temp. rise(°C)
2V025	AC	50	± 15%	Terminal Grommet	7.0VA	Class B	35
2V130		60					
2V250	DC	-	± 10%		7.0W		45

Ordering code

2V 025 08 A □ □

- Model**: 2V: 2 port 2 position solenoid valve
- Orifice size**:
 - 025: Φ 2.5mm
 - 130: Φ 13mm
 - 250: Φ 25mm
- Port size**:

Orifice size	Port size
Φ 2.5mm	06: 1/8"
Φ 13mm	08: 1/4"
	10: 3/8"
	15: 1/2"
Φ 25mm	20: 3/4"
	25: 1"
- Thread type**:
 - Blank: PT
 - T: NPT
 - G: G
- Electrical entry**:
 - Blank: Terminal
 - I: Grommet
- Voltage**:
 - A: AC220V
 - B: DC24V
 - C: AC110V
 - E: AC24V
 - F: DC12V

Usable fluid

Seal material\Fluid	Water	Dry air	Acetone*	ISOVG32 oil	Glycol*	Nitrogen	Heavy oil
NBR	○	○	△	◎	○	◎	○

Seal material\Fluid	JIS# 1 Oil	JIS#3 Oil	Vegetable Oil	Inorganic Oil	Start Oil	Silicagel Oil	CO ₂	Argon
NBR	○	○	○	○	○	○	○	○

1 Note: ◎= Excellent(nearly without affect). ○= Good(workable though some affect). △= Poor(large affect).

2 Note: "*" means inflammable and explosive dangerous fluid. Please use the relative explosion proof coil.

3 Note: Please consult the technical department before using fluid that has not been shown in the above table.

Symbol



Product feature

2V025 series

1. Direct acting and normally closed type 2/2 way solenoid valve. Its high sensitivity allows it to change direction quickly.
2. The structure is small and compact.
3. The valve body is made of brass which is heat resistance and the coil conforms to Class B classification. The seals are made of fluorine rubber (VITON) which is suitable for several types of working medium.

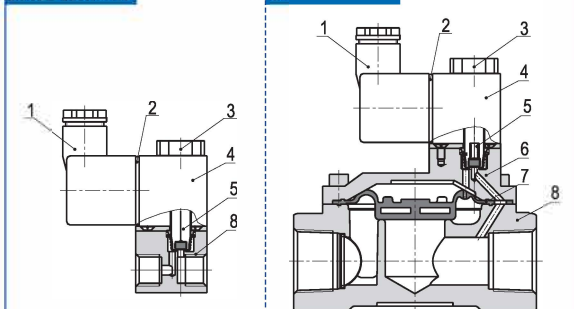
2V130 and 250 series

1. This 2/2 way diaphragm piloted solenoid valve has low energy consumption and large air flow.
2. The starting pressure is low and the operational differential pressure is < 0.05MPa.
3. The valve body is made of brass which is heat resistance and the coil conforms to Class B classification. The seals are made of NBR.

Inner structure

2V025 Terminal

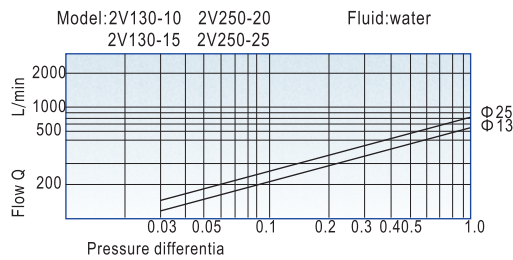
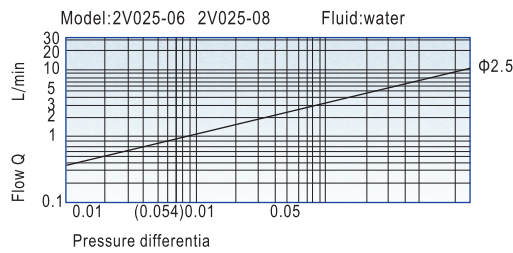
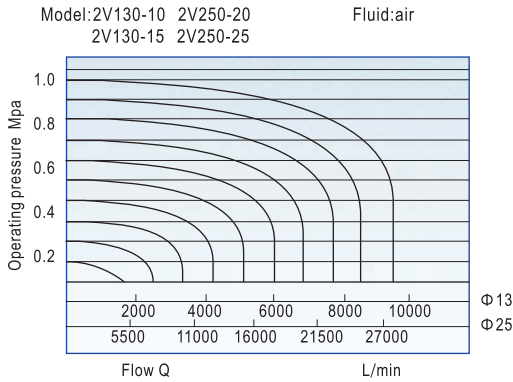
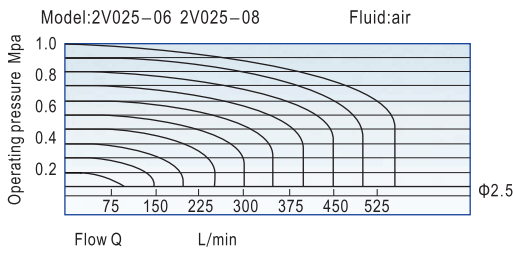
2V250 Terminal



No.	Item	No.	Item	No.	Item	No.	Item
1	Connector	3	Nut	5	Armature assembly	7	Diaphragm
2	Connector gasket	4	Coil	6	Body cover	8	Body

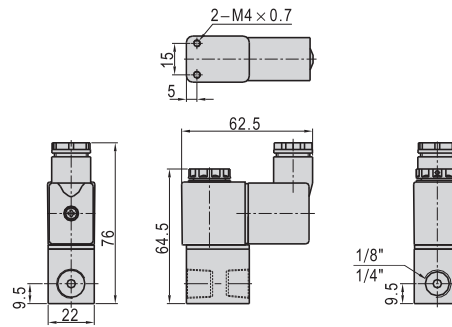
2V Series

Flow chart

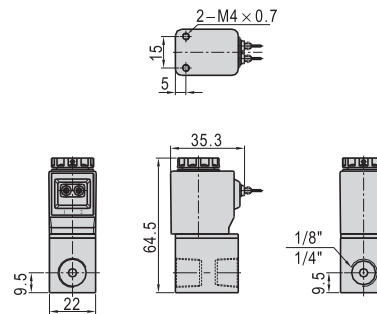


Dimensions

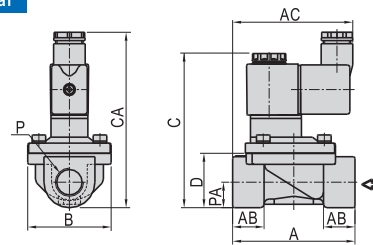
2V025 Terminal



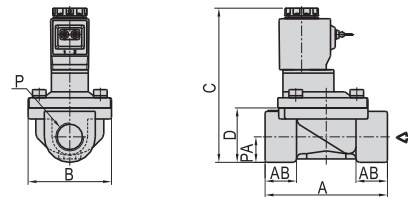
2V025 Grommet



2V130, 250 Terminal



2V130, 250 Grommet



Model\Item	A	AB	AC	B	C	CA	D	P	PA
2V130-10	72	18.5	71	49	91	103	32	3/8"	15
2V130-15	72	18.5	71	49	91	103	32	1/2"	15
2V250-20	102	23	74	77.5	107.5	120	45	3/4"	21
2V250-25	102	23	74	77.5	107.5	120	45	1"	21

