



Handles



**DST**  
 DIRAK-SNAP-Technology.  
 Simple. Secure.

Variable length ...  
 Modular handle design allows for flexibility with the length for limitless applications ...  
 Page 714-716

... and simply installed.  
 ... quickly and securely mounted with DST.  
 Page 715



Unique. Modular. Elegant.

The DST Quarter-Turn with Handle uniquely combines the security of a quarter-turn latch with an aesthetically designed handle into one product. DST ensures easy and reliable installation.  
 Page 134

Stay grounded.  
 The flush-mounted foldable handle is ideal for installation in floor panel applications.  
 Page 711



# Handles by Material

Polyamide

Page: 692–695, 707, 710, 712

Aluminium

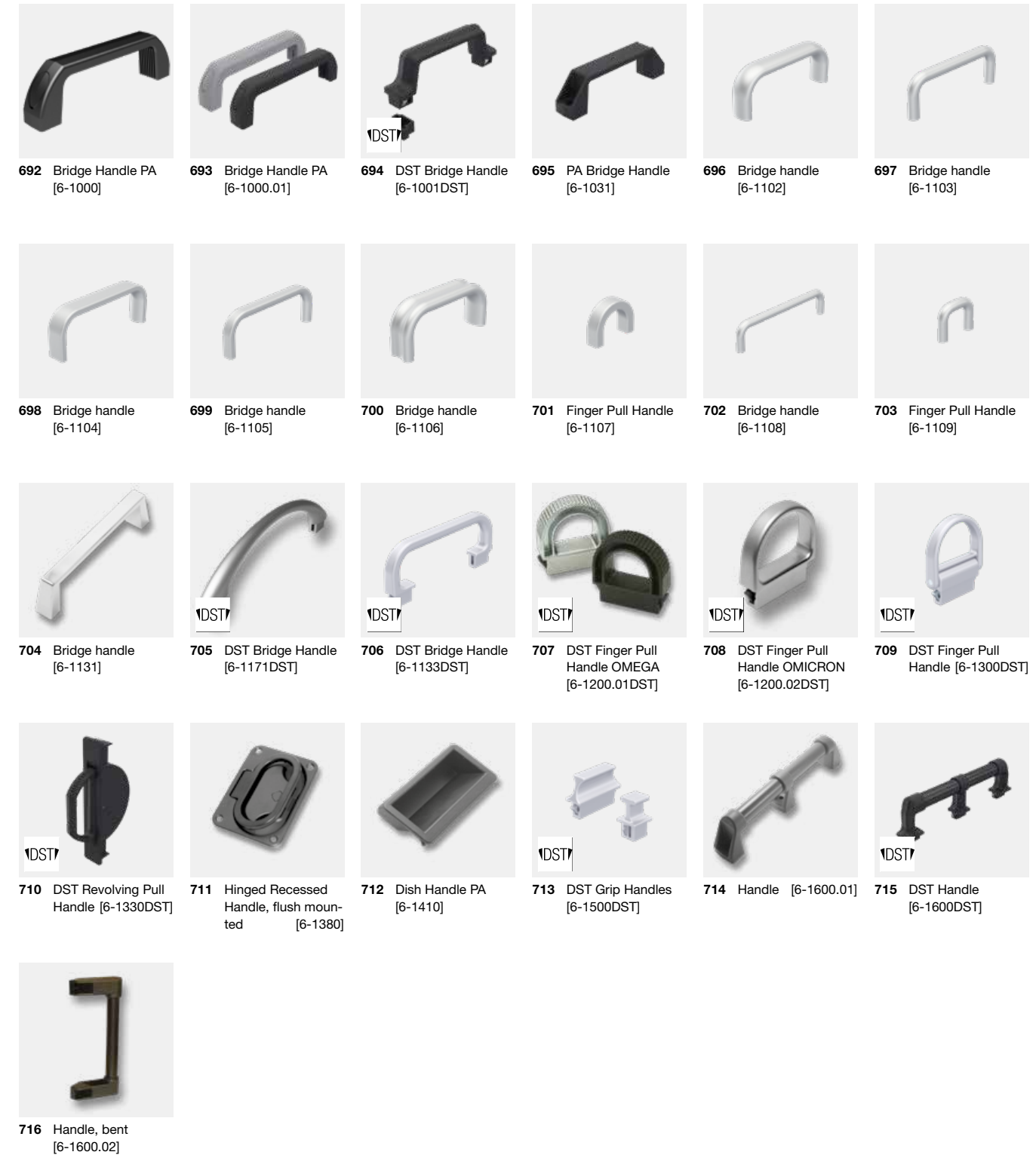
Page: 696–703

Zinc die

Page: 704–709, 711, 713

Polyamide/  
Steel

Page: 714–716



Handles

Handles



**Advantages**

- Polyamide handle, two sizes.
- For vertical and horizontal applications.
- Insensitive to dirt and easy to clean due to sloping surfaces and transition radii.
- Corrosion-resistant.
- Screws are covered by plugs.
- Plugs clip into the handle tool-less.

**Materials**

■ **Bridge handle:** PA, black

**Remarks**

Fastening by hex. socket head screws DIN 7984, hex. socket head screws DIN EN ISO 4762, hex. head screws DIN 931 and / or countersunk screws DIN EN ISO 10642.



**Polyamide, with 2 plugs**

**Advantages**

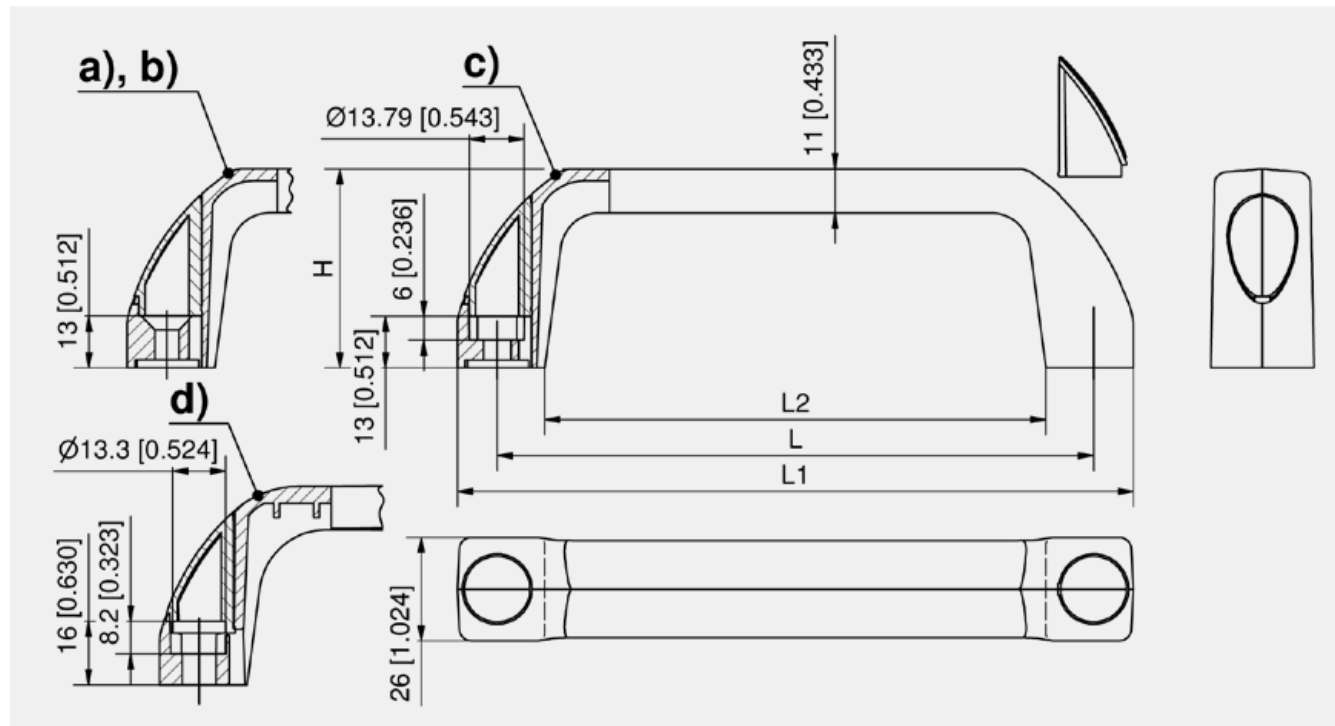
- For vertical and horizontal applications.
- Insensitive to dirt and easy to clean due to sloping surfaces and transition radii.
- Corrosion-resistant.
- Screws are covered by plugs.
- Plugs clip into the handle tool-less.

**Materials**

**Handle and plugs:** PA, grey (RAL 7001) or black, matt

**Remarks**

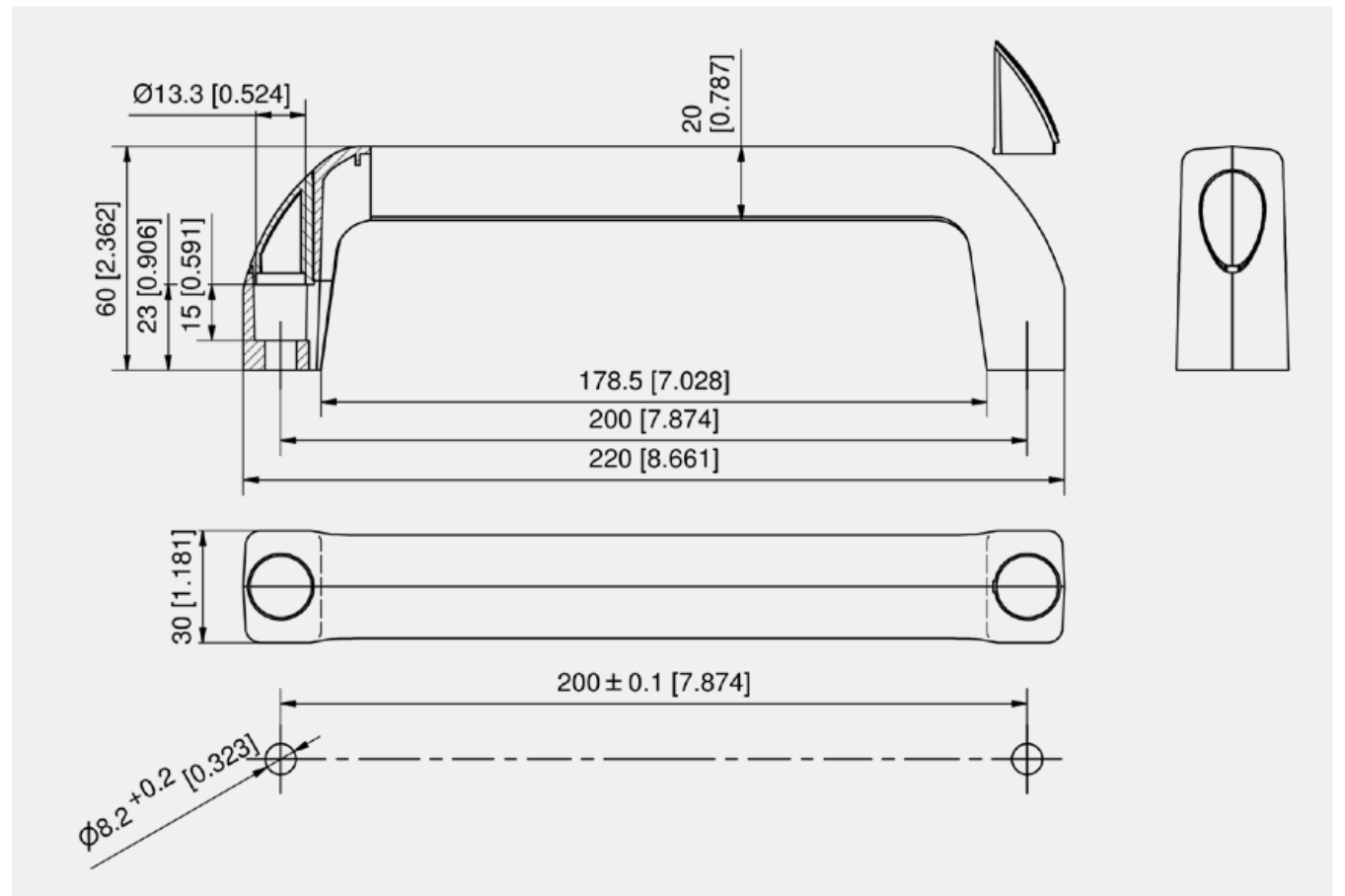
For socket-head screw DIN7984 M8



Polyamide handle complete, with 2 plugs

	Part Number	Fastening type	L	L1	L2	H
a)	213-9207.00-00000	Countersunk screws M5	122 mm	142 mm	98 mm	41 mm
a)	213-9204.00-00000	Countersunk screws M5	122 mm	142 mm	98 mm	50 mm
a)	213-9202.00-00000	Countersunk screws M5	150 mm	170 mm	126 mm	50 mm
b)	213-9205.00-00000	Countersunk screws M6	122 mm	142 mm	98 mm	50 mm
c)	213-9206.00-00000	Hex. socket head cap screws / hex. screws M6	122 mm	142 mm	98 mm	41 mm
c)	213-9203.00-00000	Hex. socket head cap screws / hex. screws M6	122 mm	142 mm	98 mm	50 mm
c)	213-9201.00-00000	Hex. socket head cap screws / hex. screws M6	150 mm	170 mm	126 mm	50 mm
d)	350-2040.00-00000	Cylinder head screws M8	179 mm	199 mm	155 mm	50 mm

Accessories	
+	747 6-041 Countersunk Screws and Hexagon Nuts



Polyamide handle complete, with 2 plugs

Part Number	Surface	Fastening type	L	L1	L2	H
352-2151.03-00000	grey RAL 7001	Cylinder head screws M8	200 mm	220 mm	178.5 mm	60 mm
352-2151.03-00001	black	Cylinder head screws M8	200 mm	220 mm	178.5 mm	60 mm



**tool-less installation**

**Advantages**

- Polyamide handle with DIRAK-SNAP-Technology, two sizes.
- The appealing design guarantees a firm and reliable grab.
- The closed surface makes it insensitive to dirt and easy to clean.
- Lowest inside radius 5mm.
- Designed for vertical or horizontal uses.
- The installation is effected by a simple push into appropriate cutouts.
- Handle for variable lengths in the same design see product system 6-1600DST.
- Vibration-proof according to DIN EN 61373.

**Materials**

- **Bridge Handle:** PA, black
- **Snap wedges:** sintered steel
- **Cap:** PA black

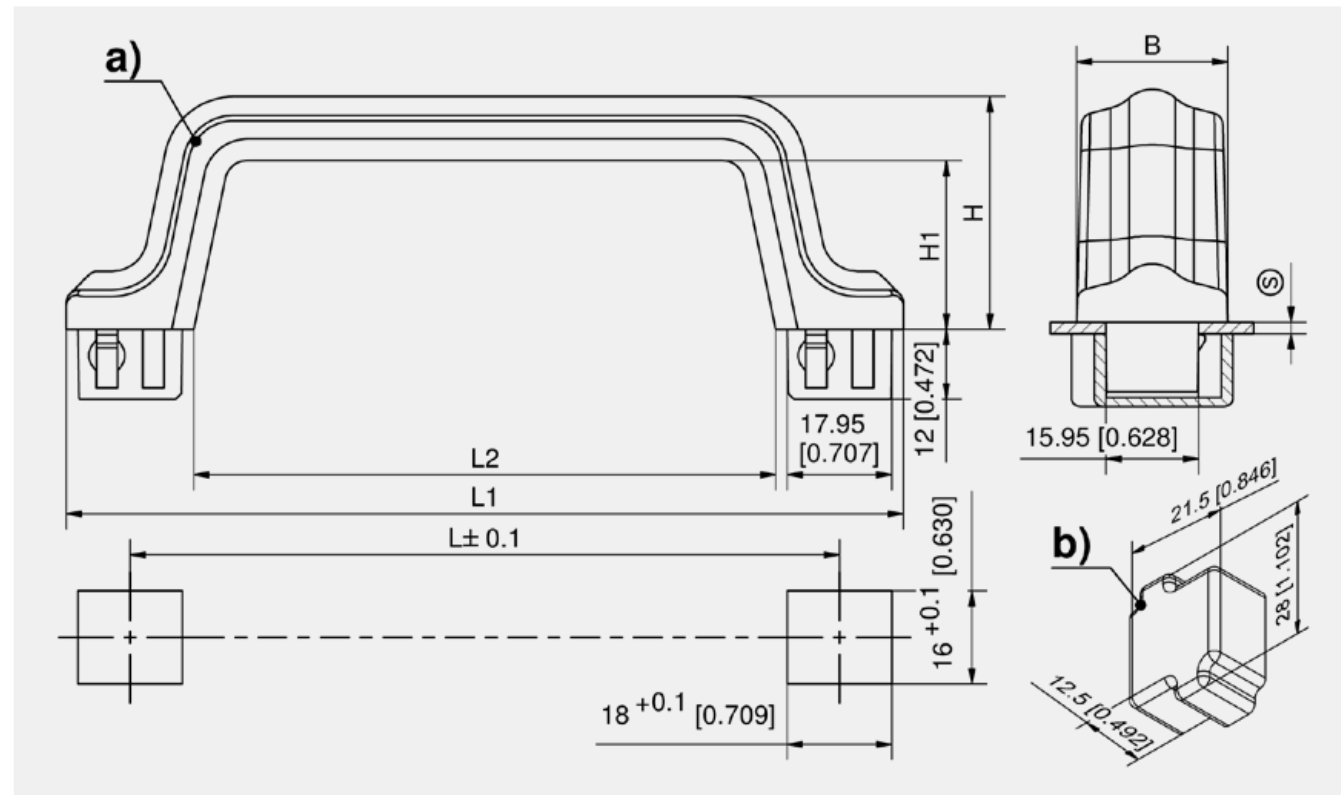


**Advantages**

- Polyamide handle, two sizes.
- a) Fastening with cap screws DIN 7984, cap screws DIN ISO 4762, hexagon head screws DIN 931 SW10.
- b) Fastening countersunk head screws DIN EN ISO 10642.

**Materials**

- **Bridge handle:** PA, black

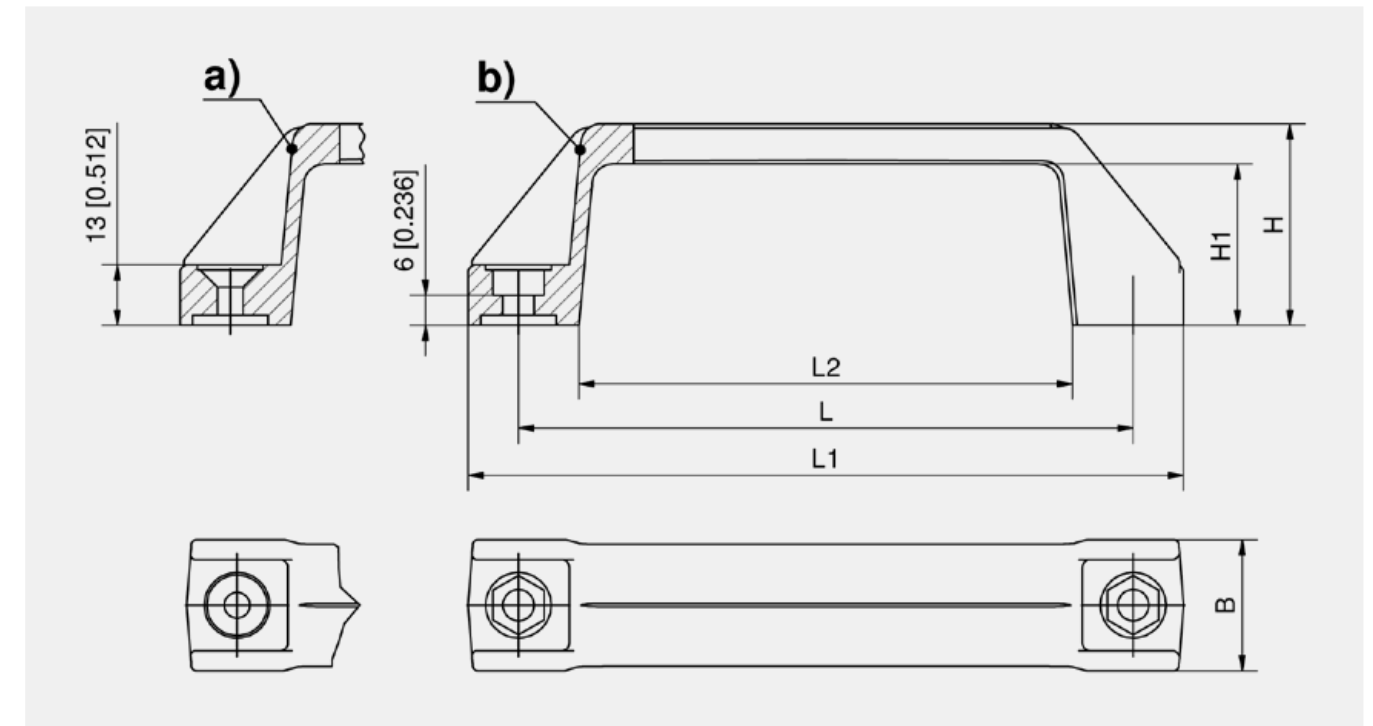


Polyamide handle

	Part Number	Clamping range	L	L1	L2	H	H1	B	Installation type
a)	413-9003.00-00015	0.8 - 1.5 mm	122 mm	144 mm	100 mm	40 mm	29 mm	26 mm	tool-less
a)	413-9003.00-00020	1.3 - 2.0 mm	122 mm	144 mm	100 mm	40 mm	29 mm	26 mm	tool-less
a)	413-9003.00-00027	2.0 - 2.7 mm	122 mm	144 mm	100 mm	40 mm	29 mm	26 mm	tool-less
a)	413-9004.00-00015	0.8 - 1.5 mm	150 mm	172 mm	128 mm	50 mm	39 mm	28 mm	tool-less
a)	413-9004.00-00020	1.3 - 2.0 mm	150 mm	172 mm	128 mm	50 mm	39 mm	28 mm	tool-less
a)	413-9004.00-00027	2.0 - 2.7 mm	150 mm	172 mm	128 mm	50 mm	39 mm	28 mm	tool-less

Accessory Polyamide handle

	Part Number	Type	Material	Surface	Fastening type
b)	413-0901.54-00000	Cap	PA	black	tool-less



Bridge handle

	Part Number	Fastening type	L	L1	L2	H	H1	B
a)	213-0202.03-00000	Countersunk screws M5	122 mm	142 mm	98 mm	40 mm	32 mm	26 mm
b)	213-0201.03-00000	Hex. socket head screws M6	122 mm	142 mm	98 mm	40 mm	32 mm	26 mm
a)	213-0204.03-00000	Countersunk screws M5	150 mm	170 mm	120 mm	52 mm	42 mm	28 mm
b)	213-0203.03-00000	Hex. socket head screws M6	150 mm	170 mm	120 mm	52 mm	42 mm	28 mm

Accessories	
+	747 6-041 Countersunk Screws and Hexagon Nuts



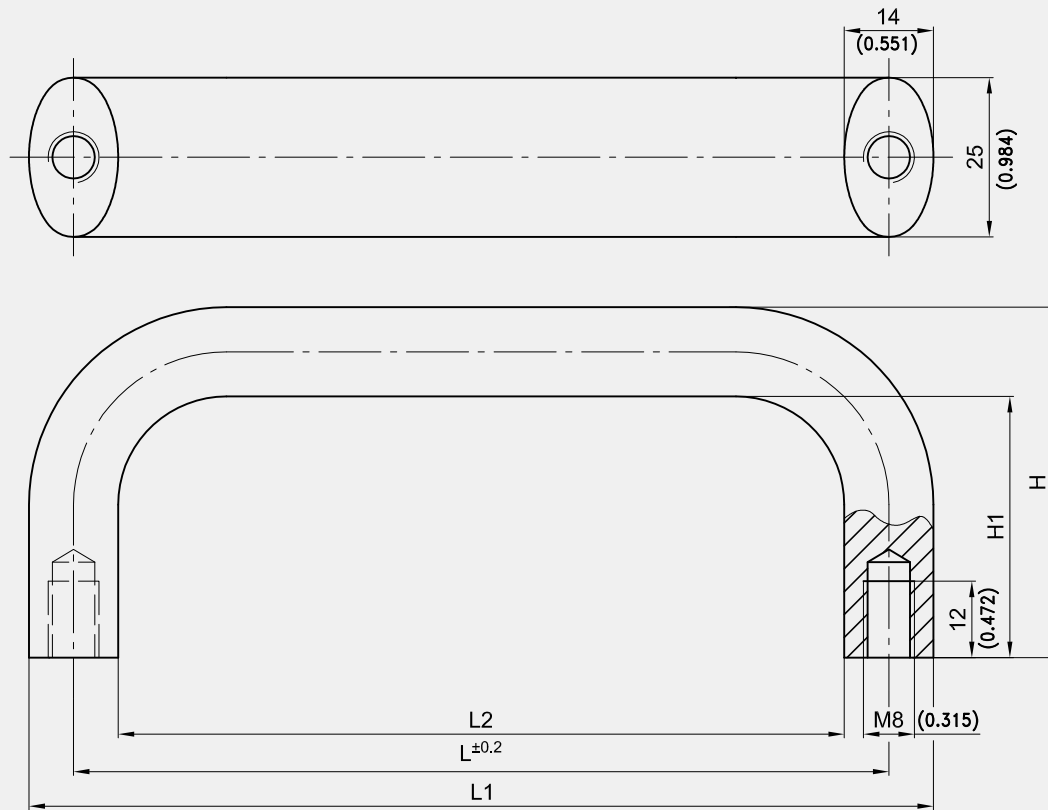
**Aluminium**

**Advantages**

- Solid aluminium handle, modern industrial design.
- Handles for hospital equipment, medical and food processing technology.
- Designed for vertical or horizontal uses.
- For screws M8.
- Additional lengths on request.

**Materials**

- **Bridge handle:** aluminium, anodized natural (silver)
- **Other surfaces on request.**



Bridge handle, ellipse

Part Number	Thread size handle	L	L1	L2	H	H1
213-0514.96-00112	M8	112 mm	126 mm	98 mm	55 mm	41 mm
213-0514.96-00128	M8	128 mm	142 mm	114 mm	55 mm	41 mm
213-0514.96-00160	M8	160 mm	174 mm	146 mm	55 mm	41 mm



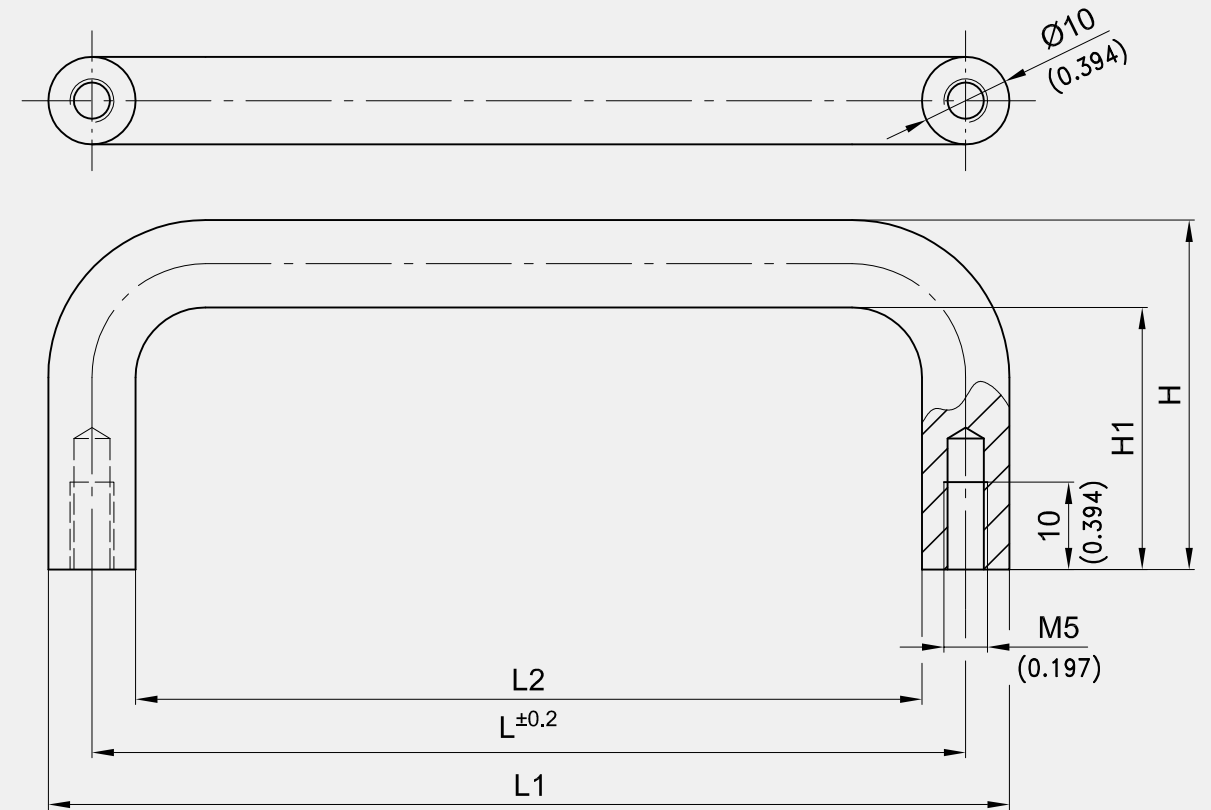
**Aluminium**

**Advantages**

- Solid aluminium handle, modern industrial design.
- Handles for hospital equipment, medical and food processing technology.
- Designed for vertical or horizontal uses.
- For screws M5.

**Materials**

- **Bridge handle:** aluminium, anodized natural (silver)
- **Other surfaces on request.**



Bridge handle, round

Part Number	Thread size handle	L	L1	L2	H	H1
213-0517.96-00100	M5	100 mm	110 mm	90 mm	40 mm	30 mm



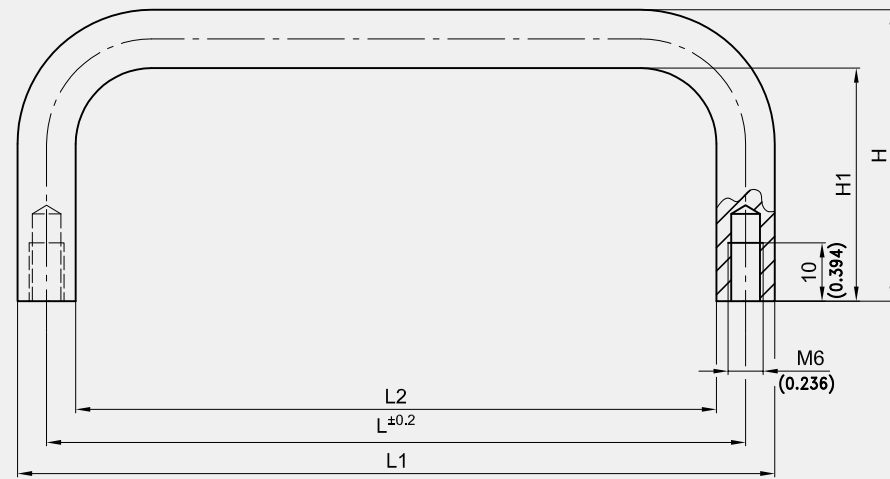
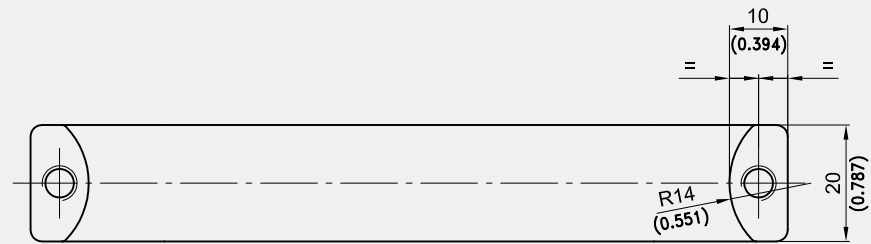
**Aluminium**

**Advantages**

- Solid aluminium handle, modern industrial design.
- Handles for machine building, tool building, electrical industry, hospital equipment, medical and food processing technology.
- Designed for vertical or horizontal uses.
- For screws M6.

**Materials**

- **Bridge handle:** aluminium, anodized natural (silver)
- **Other surfaces on request.**



Bridge handle, half round

Part Number	Thread size handle	L	L1	L2	H	H1
213-0513.96-00112	M6	112 mm	122 mm	102 mm	50 mm	40 mm
213-0513.96-00128	M6	128 mm	138 mm	118 mm	50 mm	40 mm
213-0513.96-00160	M6	160 mm	170 mm	150 mm	50 mm	40 mm



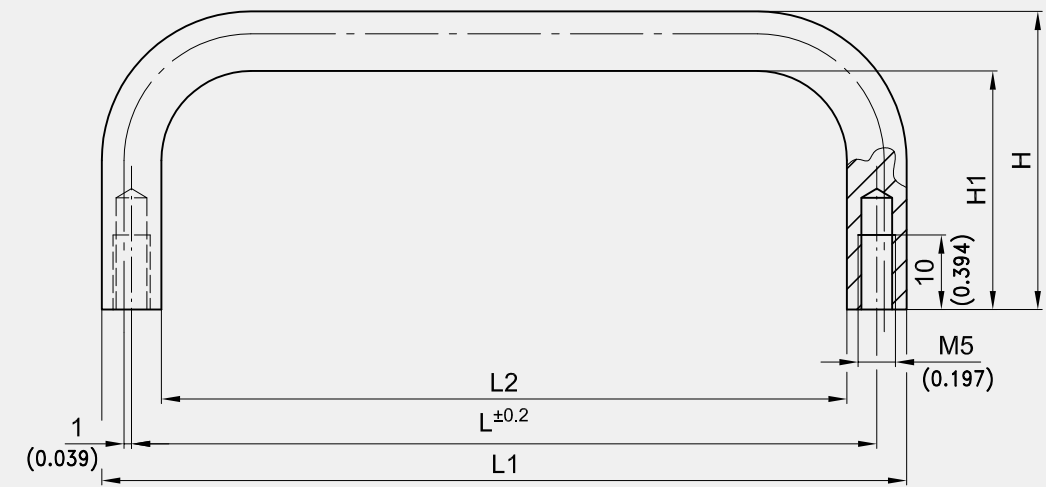
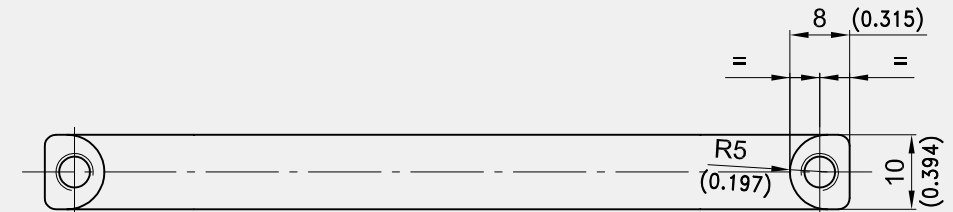
**Aluminium**

**Advantages**

- Solid aluminium handle, modern industrial design.
- Handles for hospital equipment, medical and food processing technology.
- Designed for vertical or horizontal uses.
- For screws M5.

**Materials**

- **Bridge handle:** aluminium, anodized natural (silver)
- **Other surfaces on request.**



Bridge handle, half round

Part Number	Thread size handle	L	L1	L2	H	H1
213-0516.96-00100	M5	100 mm	108 mm	92 mm	40 mm	32 mm





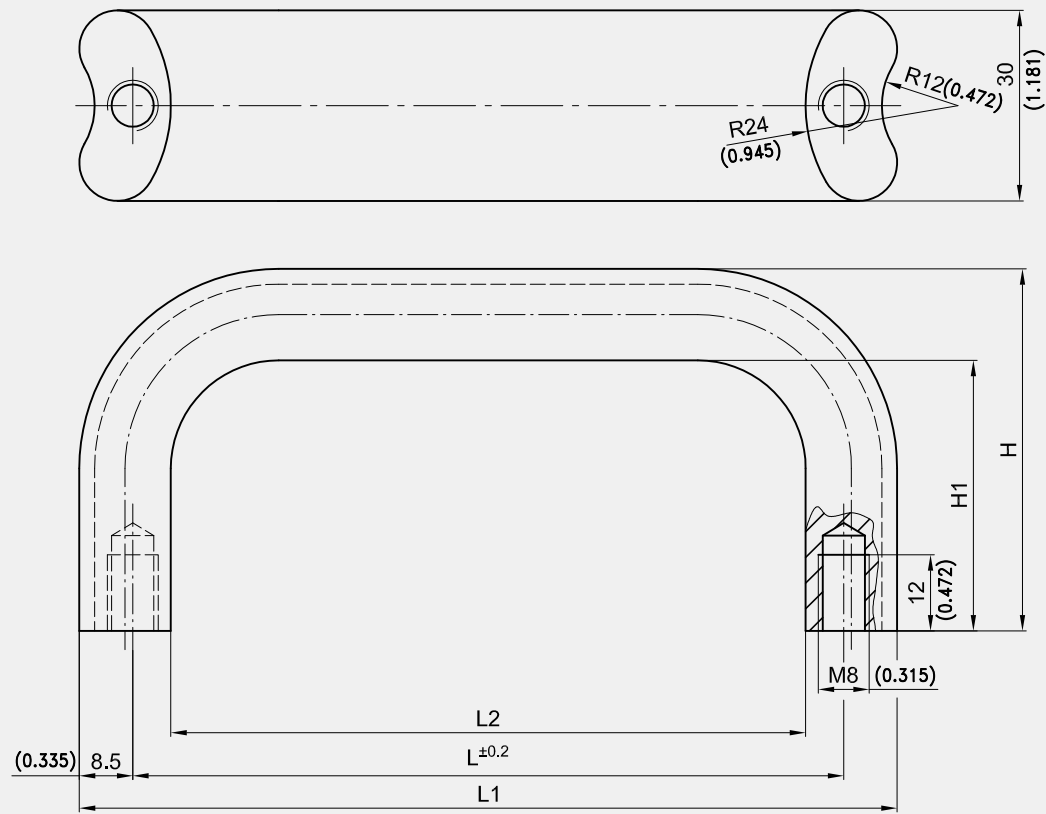
**Aluminium**

**Advantages**

- Solid aluminium handle.
- The appealing kidney-shaped design makes it human-engineering and easy to use.
- Handles for machine building, tool building, electrical industry, hospital equipment, medical and food processing technology.
- Designed for vertical or horizontal uses.
- For screws M8.

**Materials**

- **Bridge handle:** aluminium, anodized natural (silver)
- **Other surfaces on request.**



Bridge handle

Part Number	Thread size handle	L	L1	L2	H	H1
213-0515.96-00128	M8	128 mm	145 mm	116 mm	57 mm	42.5 mm
213-0515.96-00160	M8	160 mm	177 mm	148 mm	57 mm	42.5 mm
213-0515.96-00192	M8	192 mm	209 mm	180 mm	57 mm	42.5 mm
213-0515.96-00350	M8	350 mm	367 mm	338 mm	57 mm	42.5 mm
213-0515.96-00500	M8	500 mm	517 mm	488 mm	57 mm	42.5 mm



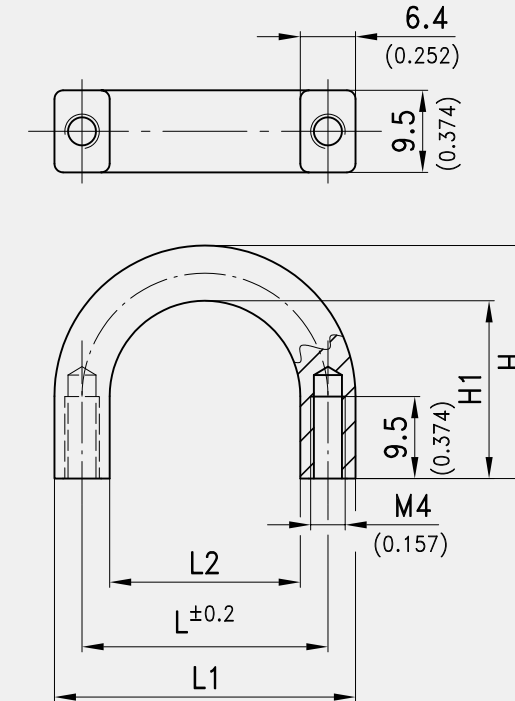
**Aluminium**

**Advantages**

- Solid aluminium handle, modern industrial design.
- This handle is suitable for the computer industry, 19" technology, insertions and equipments and other applications.
- Designed for vertical or horizontal uses.
- For screws M4.

**Materials**

- **Finger pull handle:** aluminium, anodized natural (silver)
- **Other surfaces on request.**



Finger Pull Handle

Part Number	Thread size handle	L	L1	L2	H	H1
213-0510.96-00285	M4	28.5 mm	35 mm	22.2 mm	27 mm	20.5 mm





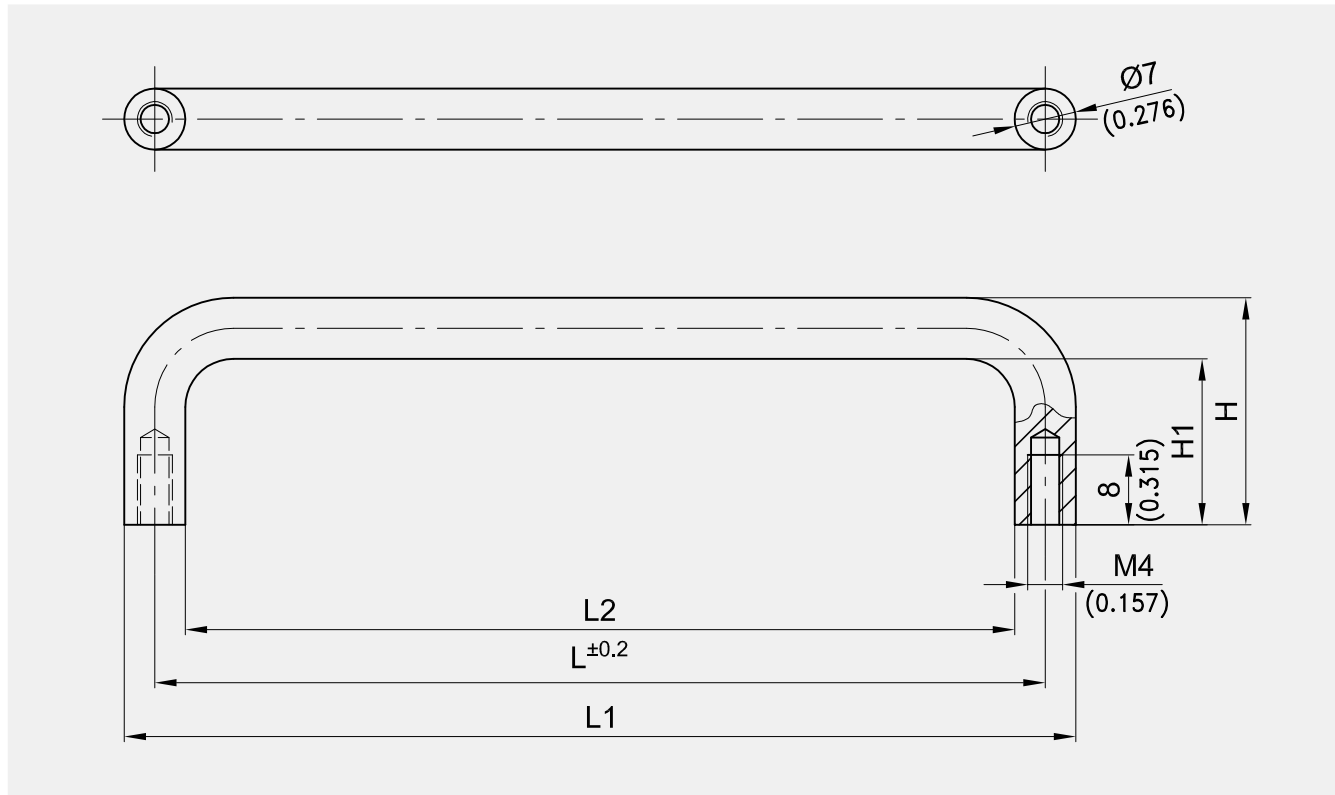
**Aluminium**

**Advantages**

- Solid aluminium handle, modern industrial design.
- This handle is suitable for the computer industry, 19" technology, insertions and equipments and other applications.
- Designed for vertical or horizontal uses.
- For screws M4.
- Finger pull handle in same design see product system 6-1109.

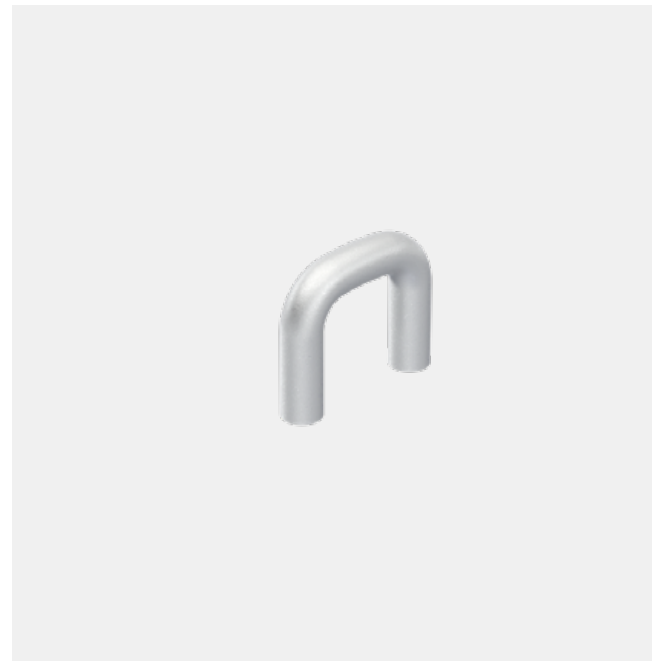
**Materials**

- **Bridge handle:** aluminium, anodized natural (silver)
- **Other surfaces on request.**



Bridge handle

Part Number	Thread size handle	L	L1	L2	H	H1
213-0512.96-00096	M4	96 mm	103 mm	89 mm	26 mm	19 mm
213-0512.96-00128	M4	128 mm	135 mm	121 mm	26 mm	19 mm



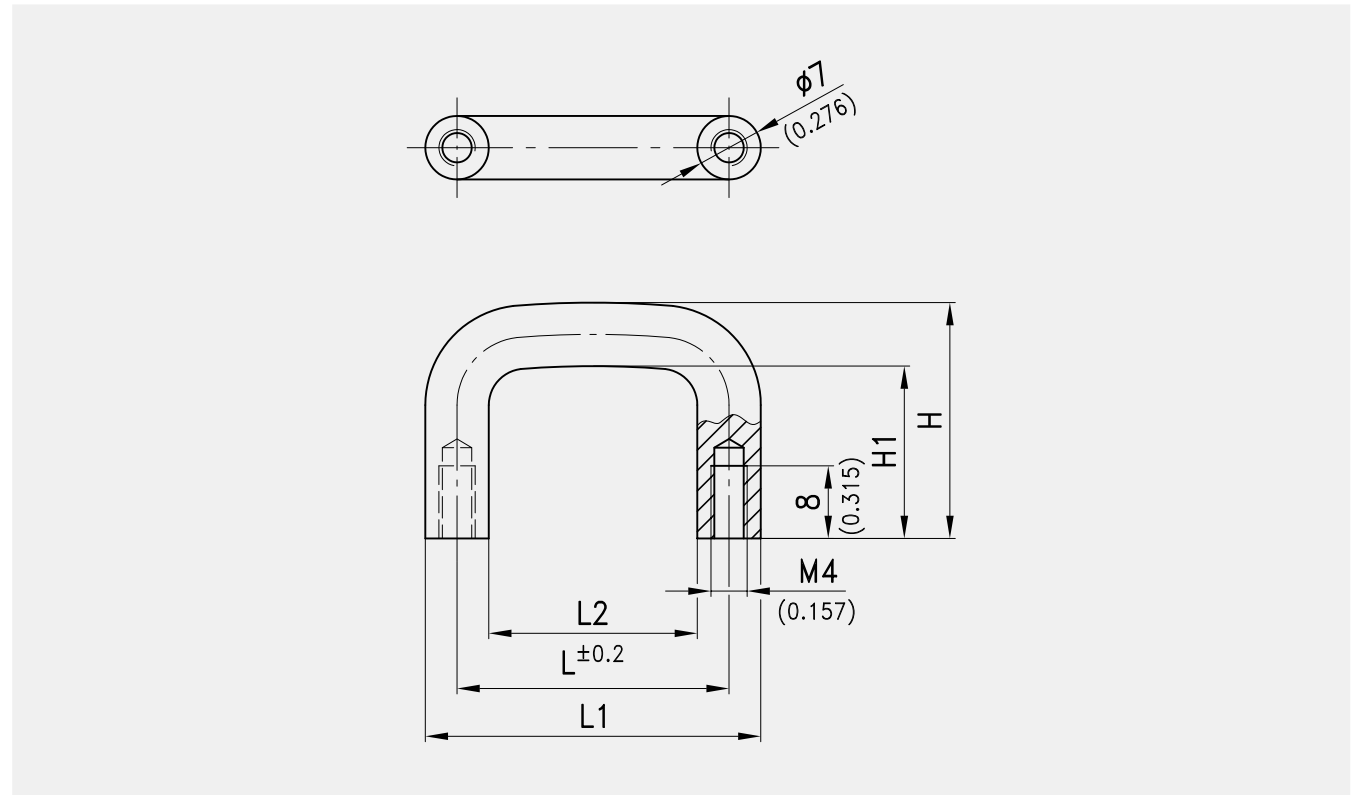
**Aluminium**

**Advantages**

- Solid aluminium handle, modern industrial design.
- This handle is suitable for the computer industry, 19" technology, insertions and equipments and other applications.
- Designed for vertical or horizontal uses.
- For screws M4.
- Bridge Handle in same design see product system 6-1108.

**Materials**

- **Finger pull handle:** aluminium, anodized natural (silver)
- **Other surfaces on request.**



Finger Pull Handle

Part Number	Thread size handle	L	L1	L2	H	H1
213-0511.96-00030	M4	30 mm	37 mm	23 mm	26 mm	19 mm
213-0511.96-00064	M4	64 mm	71 mm	57 mm	26 mm	19 mm



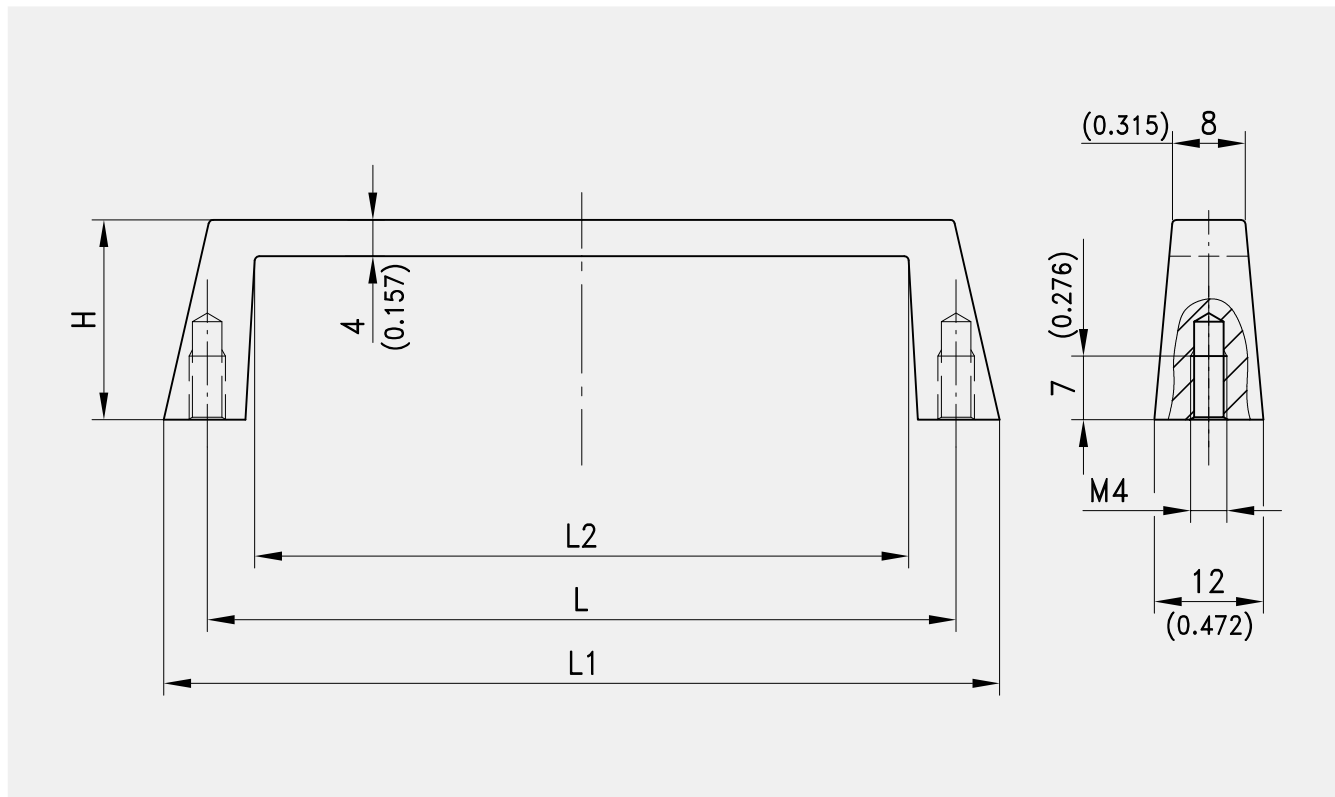
zinc die

**Advantages**

- Bridge handles, screw-on.

**Materials**

- **Bridge handle:** zinc die, chrome plated or black



Bridge handle

Part Number	Surface	Thread size handle	L	L1	L2	H
213-0303.31-00000	chrome plated	M4	81 mm	93 mm	72 mm	22 mm
213-0303.33-00000	black	M4	81 mm	93 mm	72 mm	22 mm
213-0302.31-00000	chrome plated	M4	95.5 mm	106 mm	85 mm	24 mm
213-0302.33-00000	black	M4	95.5 mm	106 mm	85 mm	24 mm



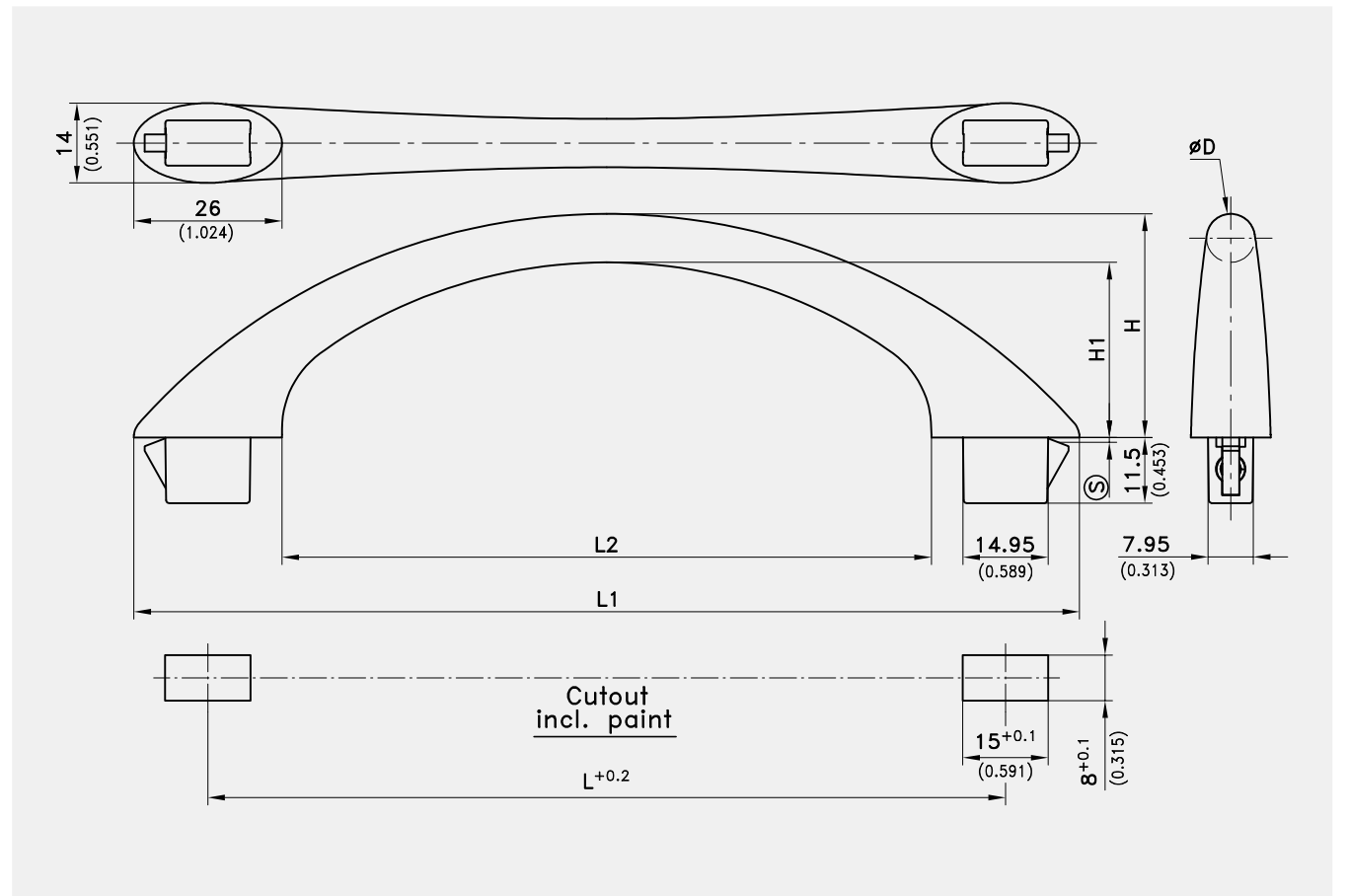
**tool-less installation**

**Advantages**

- Elegant bowed handle with DIRAK-SNAP-Technology.
- Surface matt chrome plated.
- Designed for vertical or horizontal uses.
- The installation is effected by a simple push into appropriate cutouts.

**Materials**

- **Handle:** zinc die, matt chrome plated
- **Other surfaces on request.**
- **Snap wedges:** sintered steel



Bridge handle

Part Number	Clamping range	L	L1	L2	H	H1	D	Installation type
413-9017.00-00815	0.8 - 1.5 mm	140 mm	166 mm	114 mm	39.5 mm	31 mm	8.5 mm	tool-less
413-9017.00-01320	1.3 - 2.0 mm	140 mm	166 mm	114 mm	39.5 mm	31 mm	8.5 mm	tool-less
413-9017.00-01522	1.5 - 2.2 mm	140 mm	166 mm	114 mm	39.5 mm	31 mm	8.5 mm	tool-less
413-9018.00-00815	0.8 - 1.5 mm	180 mm	206 mm	154 mm	45.5 mm	35.5 mm	10 mm	tool-less
413-9018.00-01320	1.3 - 2.0 mm	180 mm	206 mm	154 mm	45.5 mm	35.5 mm	10 mm	tool-less
413-9018.00-01522	1.5 - 2.2 mm	180 mm	206 mm	154 mm	45.5 mm	35.5 mm	10 mm	tool-less



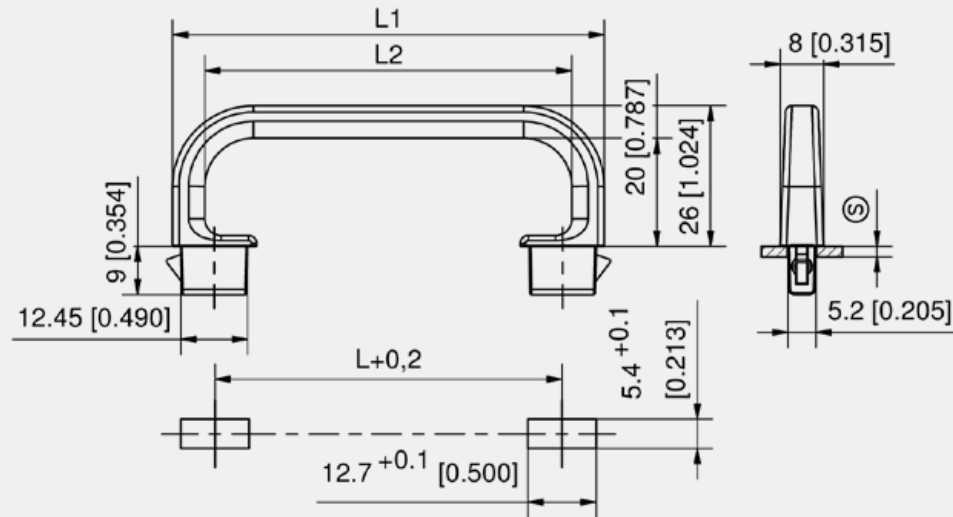
**OMICRON, tool-less installation**

**Advantages**

- Elegant bridge handle with DIRAK-SNAP-Technology in different lengths.
- This handle is suitable for the computer industry, 19" technology, insertions and equipments and other applications.
- The installation is effected by a simple push into appropriate cutouts.

**Materials**

- **Bridge handle:** zinc die
- **Surface:** matt chrome plated
- **Other surfaces on request.**
- **Snap wedges:** sintered steel



Bridge handle

Part Number	Clamping range	L	L1	L2	Installation type
413-9013.40-00609	0.6 - 0.9 mm	39.3 mm	55 mm	43 mm	tool-less
413-9013.40-00811	0.8 - 1.1 mm	39.3 mm	55 mm	43 mm	tool-less
413-9013.40-01215	1.2 - 1.5 mm	39.3 mm	55 mm	43 mm	tool-less
413-9013.40-01821	1.8 - 2.1 mm	39.3 mm	55 mm	43 mm	tool-less
413-9013.40-02225	2.2 - 2.5 mm	39.3 mm	55 mm	43 mm	tool-less
413-9014.40-00609	0.6 - 0.9 mm	64.3 mm	80 mm	68 mm	tool-less
413-9014.40-00811	0.8 - 1.1 mm	64.3 mm	80 mm	68 mm	tool-less
413-9014.40-01215	1.2 - 1.5 mm	64.3 mm	80 mm	68 mm	tool-less
413-9014.40-01821	1.8 - 2.1 mm	64.3 mm	80 mm	68 mm	tool-less
413-9014.40-02225	2.2 - 2.5 mm	64.3 mm	80 mm	68 mm	tool-less
413-9015.40-00609	0.6 - 0.9 mm	89.3 mm	105 mm	93 mm	tool-less
413-9015.40-00811	0.8 - 1.1 mm	89.3 mm	105 mm	93 mm	tool-less
413-9015.40-01215	1.2 - 1.5 mm	89.3 mm	105 mm	93 mm	tool-less
413-9015.40-01821	1.8 - 2.1 mm	89.3 mm	105 mm	93 mm	tool-less
413-9015.40-02225	2.2 - 2.5 mm	89.3 mm	105 mm	93 mm	tool-less

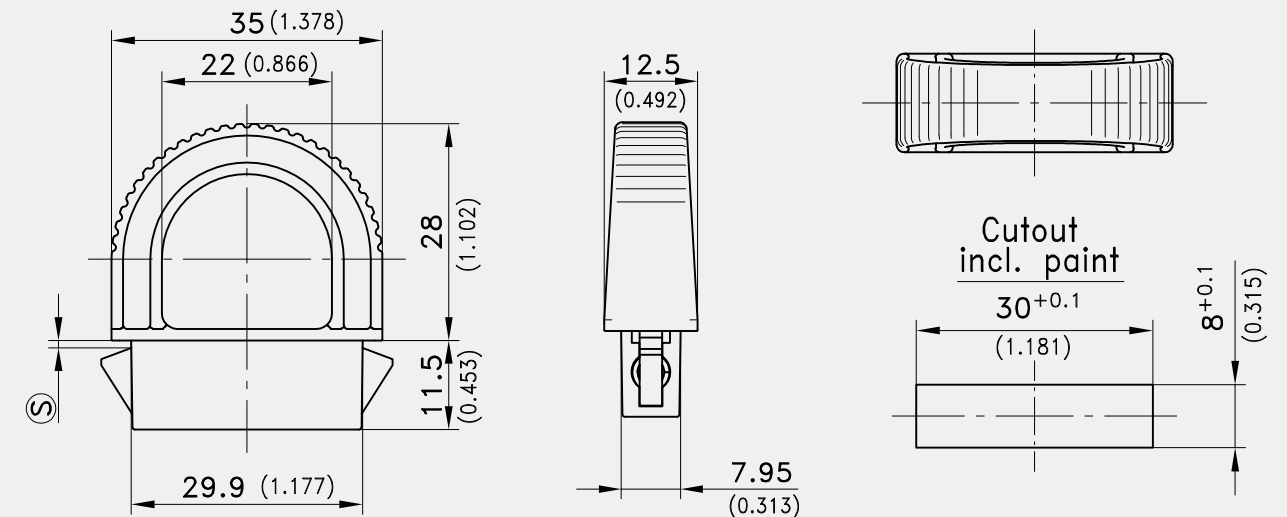


**Advantages**

- OMEGA small finger pull handles with DIRAK-SNAP-Technology.
- The finger pull handles are suitable for the computer industry, 19" technology, insertions and equipments and other applications.
- Installation by a simple push into the cutout.

**Materials**

- **OMEGA:** zinc die, matt chrome plated or PA black
- **Other surfaces on request.**
- **Snap wedges:** sintered steel



Finger Pull Handle

Part Number	Clamping range	Material	Installation type
413-9001.00-00015	0.8 - 1.5 mm	PA, black	tool-less
413-9001.00-00020	1.3 - 2.0 mm	PA, black	tool-less
413-9001.00-00022	1.5 - 2.2 mm	PA, black	tool-less
413-9008.00-00015	0.8 - 1.5 mm	zinc die, matt chrome plated	tool-less
413-9008.00-00020	1.3 - 2.0 mm	zinc die, matt chrome plated	tool-less
413-9008.00-00022	1.5 - 2.2 mm	zinc die, matt chrome plated	tool-less

Accessories	
755	292-0702.15-01030 Reinforcement plate for cutout
756	292-0306.80-02530 Tool for uninstallation

# DST Finger Pull Handle OMICRON

[6-1200.02DST]

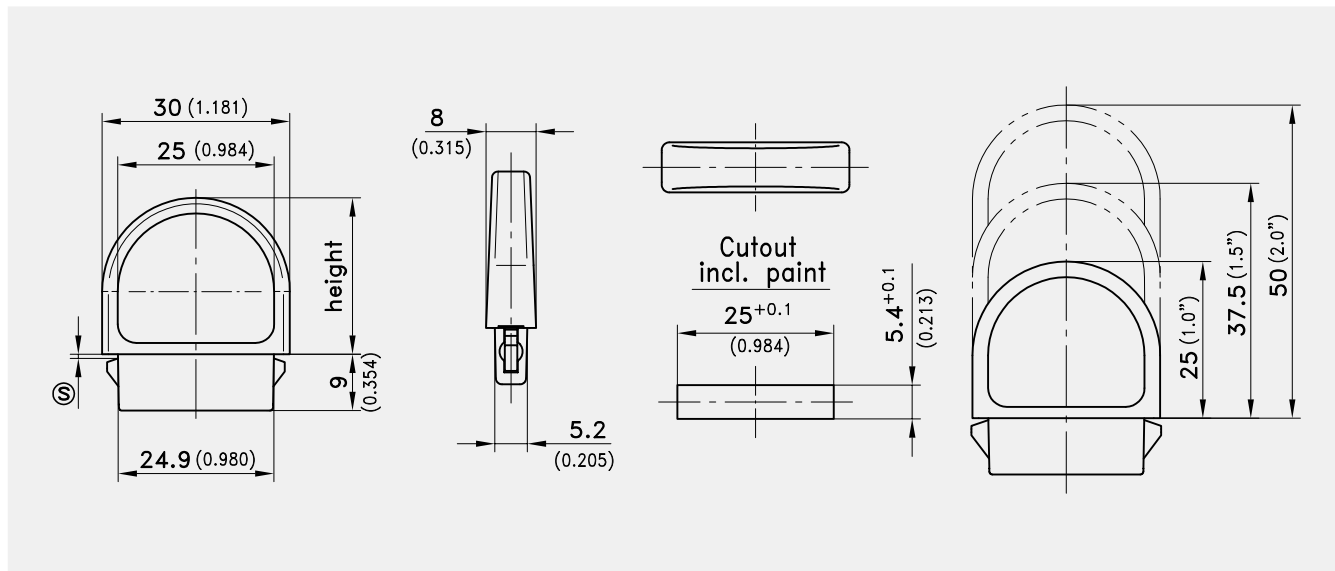


**Advantages**

- OMICRON small finger pull handles with DIRAK-SNAP-Technology.
- The finger pull handles are suitable for the computer industry, 19" technology, insertions and equipments and other applications.
- Installation by a simple push into the cutout.

**Materials**

- **OMICRON:** zinc die, matt chrome plated
- **Snap wedges:** sintered steel



Finger Pull Handle OMICRON

Part Number	Version	Clamping range	Installation type
413-9009.40-00609	Handle height 25mm	0.6 - 0.9 mm	tool-less
413-9009.40-00811	Handle height 25mm	0.8 - 1.1 mm	tool-less
413-9009.40-01215	Handle height 25mm	1.2 - 1.5 mm	tool-less
413-9009.40-01821	Handle height 25mm	1.8 - 2.1 mm	tool-less
413-9009.40-02225	Handle height 25mm	2.2 - 2.5 mm	tool-less
413-9009.40-02427	Handle height 25mm	2.4 - 2.7 mm	tool-less
413-9010.40-00609	Handle height 37.5mm	0.6 - 0.9 mm	tool-less
413-9010.40-00811	Handle height 37.5mm	0.8 - 1.1 mm	tool-less
413-9010.40-01215	Handle height 37.5mm	1.2 - 1.5 mm	tool-less
413-9010.40-01821	Handle height 37.5mm	1.8 - 2.1 mm	tool-less
413-9010.40-02225	Handle height 37.5mm	2.2 - 2.5 mm	tool-less
413-9010.40-02427	Handle height 37.5mm	2.4 - 2.7 mm	tool-less

Accessories	
+	756 292-0306.80-02530 Tool for uninstallation

# DST Finger Pull Handle

[6-1300DST]

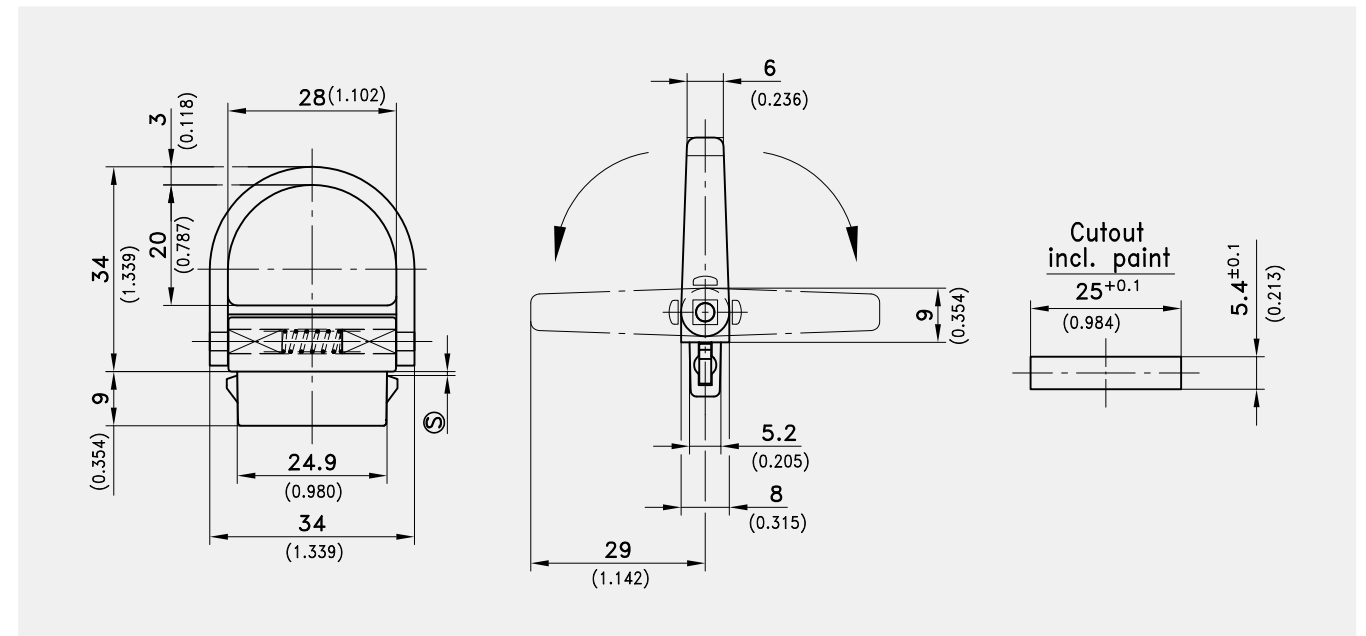


**Advantages**

- Finger pull with DIRAK-SNAP-Technology, sideways folding.
- Small space requirement.
- This finger pull handle is suitable for the computer industry, 19" technology, insertions and equipments and other applications.
- Installation by a simple push into the cutout.

**Materials**

- **Handle- and snap-part:** zinc die, matt chrome plated
- **Other surfaces on request!**
- **Pins:** steel, zinc plated
- **Spring:** spring steel, zinc plated
- **Snap wedges:** sintered steel



Finger Pull Handle

Part Number	Clamping range	Installation type
413-9016.00-00811	0.8 - 1.1 mm	tool-less
413-9016.00-01215	1.2 - 1.5 mm	tool-less
413-9016.00-01821	1.8 - 2.1 mm	tool-less
413-9016.00-02225	2.2 - 2.5 mm	tool-less

Specific accessories	
+	756 292-0306.80-02530 Tool for uninstallation



**Advantages**

- Revolving Pull Handle with DIRAK-SNAP-Technology
- This handle is suitable for the computer industry, 19" technology, insertions and equipments and other applications.
- Designed for vertical or horizontal uses.
- The corrugation shows the fitting position.
- A soft push on the fluted position makes the handle revolving into the final, open position.
- A soft push makes the swiveled out handle fall back. For closing to a fully flush surface the end of the handle has to be pushed to the housing.
- Installation by a simple push into appropriate cutout.

**Materials**

- **Handle and dish:** PA, black
- **Pin:** steel, zinc plated
- **Snap wedges:** sintered steel

**Remarks**

1. Mounting position (fluting at the bottom) and closed
2. open
3. Handle swiveled out



**Advantages**

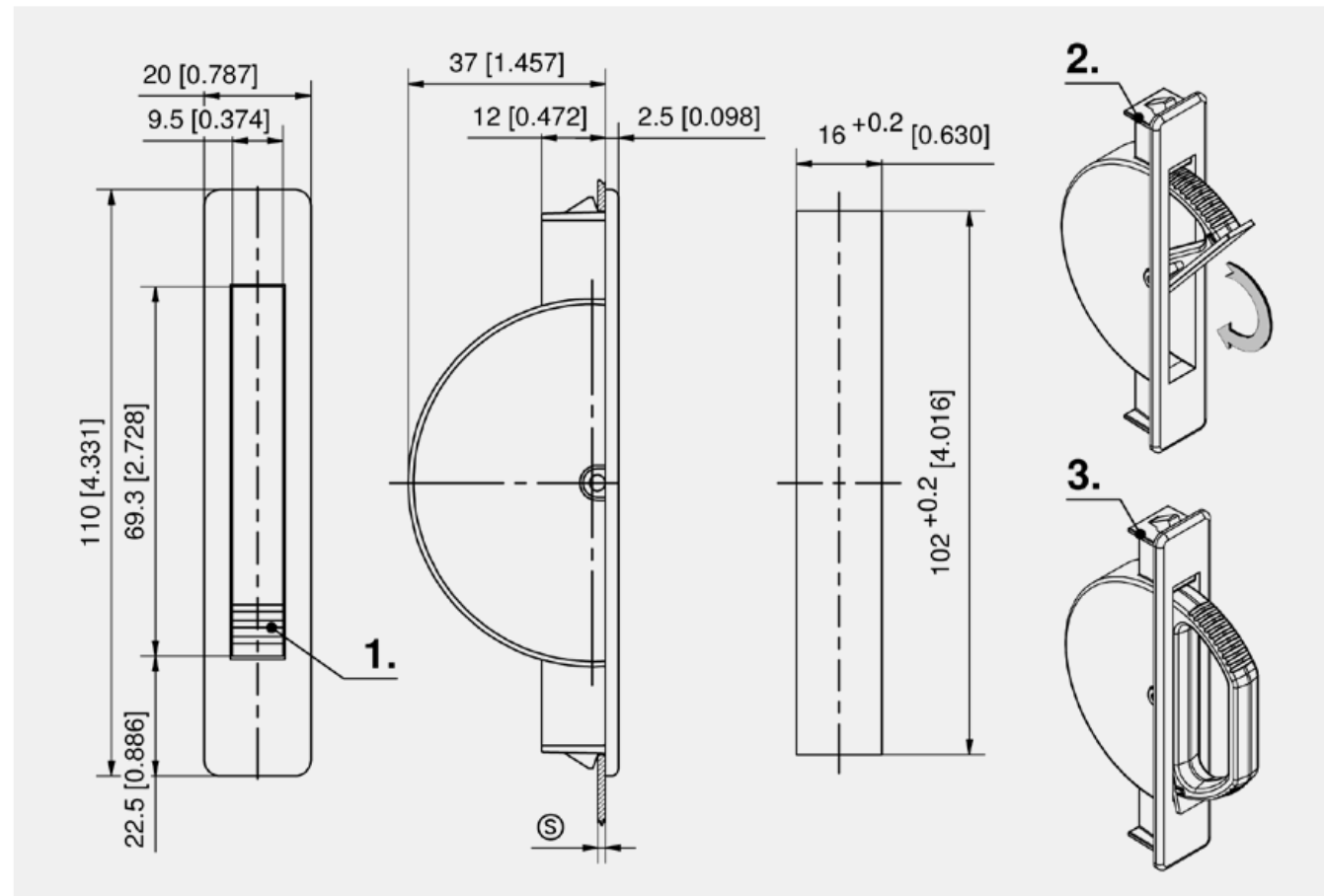
- Flush-mounted hinged, recessed handle. Zinc die with or without lock and opening angle about 60° or 80°.
- Designed for vertical or horizontal uses.
- The vibration proof construction makes it possible to use this flush-mounted handle also in special areas such as road vehicles and railcars/wagons.
- Unauthorized activation of the recessed hinged handle is prevented by an integrated safety Quarter-Turn, which is operated by means of fastener key. This security feature is enhanced by construction, which also prevents accumulation of dirt due to the completely closed housing surface.

**Materials**

- **Hinged recessed handle:** zinc die, chrome plated or black

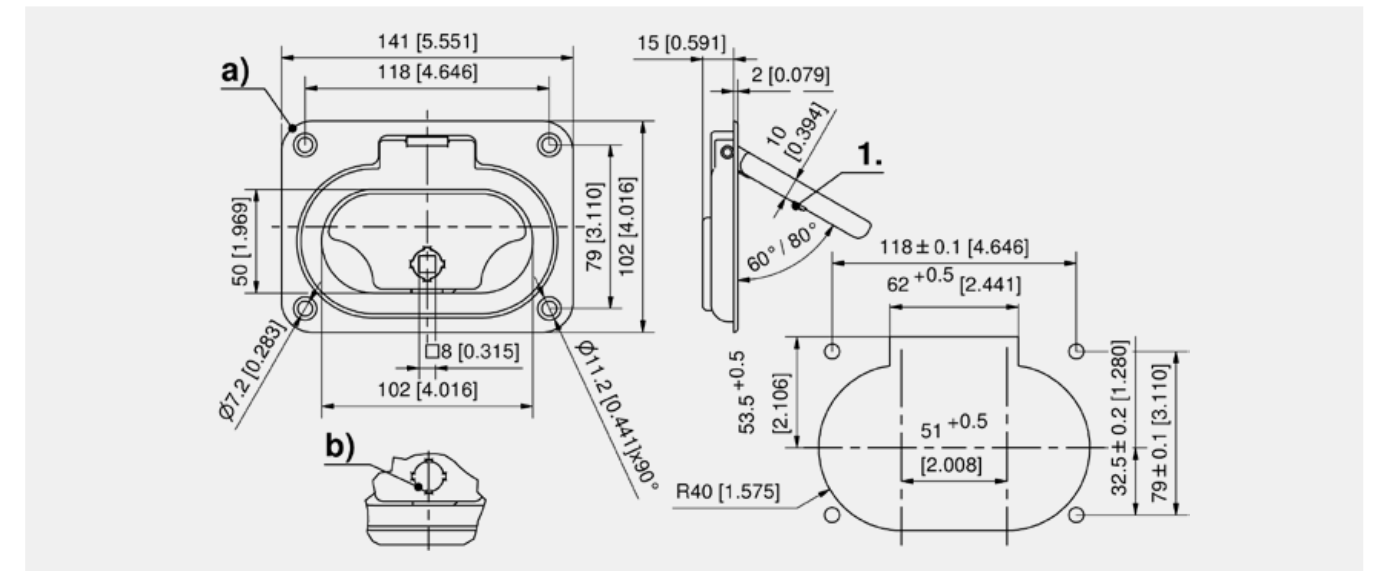
**Remarks**

- Weight: 510g.  
1. Rubber Bumper



Revolving Pull Handle

Part Number	Clamping range	Installation type
413-9005.00-00015	0.8 - 1.5 mm	tool-less
413-9005.00-00020	1.3 - 2.0 mm	tool-less



Hinged recessed handle, opening angle 60°

Part Number	Version	Surface	Installation type
213-9001.00-00060	without latch	chrome plated	screw-on
213-9002.00-00060	without latch	black	screw-on
213-9101.00-00060	with latch	chrome plated	screw-on
213-9102.00-00060	with latch	black	screw-on

Hinged recessed handle, opening angle 80°

Part Number	Version	Surface	Installation type
213-9001.00-00080	without latch	chrome plated	screw-on
213-9002.00-00080	without latch	black	screw-on
213-9101.00-00080	with latch	chrome plated	screw-on
213-9102.00-00080	with latch	black	screw-on

Accessories	
+	758 6-100 Key



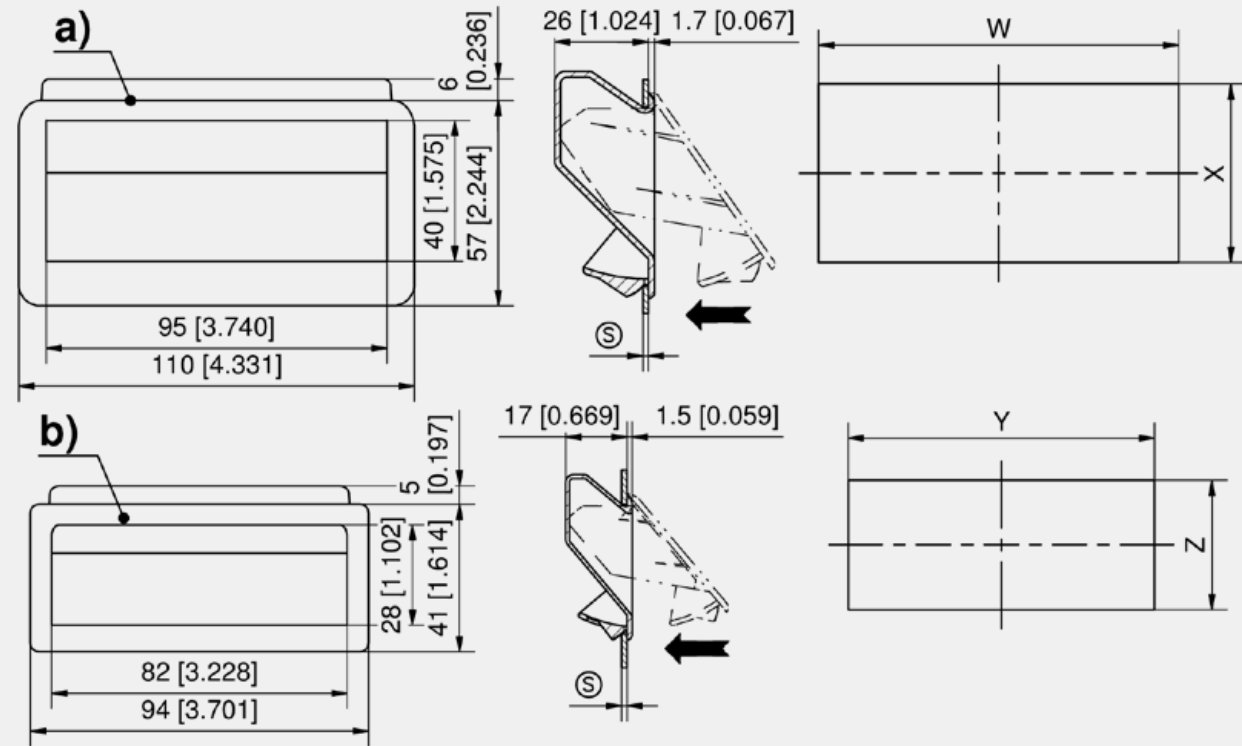


**Advantages**

- Can be clipped in without tools.
- a) Outside dimensions 110 x 57mm (4.331 x 2.244).
- b) Outside dimensions 94 x 41mm (3.701 x 1.614).
- Suitable for different door-thicknesses.
- The dimensions of the cutouts for different door-thicknesses are indicated in the table.

**Materials**

- **Dish handle:** PA, black



door-thickness mm [inch]	W	X
1.5-2.0 [0.059-0.079]	100+0.5[3.937]	49.6+0.2[3.937]
2.0-3.2 [0.079-0.126]	100+0.5[3.937]	50.3+0.3[1.980]
3.2-3.5 [0.126-0.138]	100+0.5[3.937]	51.0+0.3[2.008]

door-thickness mm [inch]	Y	Z
0.75-0.79[0.030-0.079]	85+0.2[3.346]	34.8+0.2[1.370]
0.8-1.4[0.032-0.055]	85+0.2[3.346]	35+0.2[1.378]
1.5-2.2[0.059-0.087]	85+0.2[3.346]	36+0.3[1.417]

Dish Handle

	Part Number	Dimension	Installation type
a)	213-0705.51-00000	110 x 57mm	clip-in
b)	213-0703.03-00000	94 x 41mm	clip-in

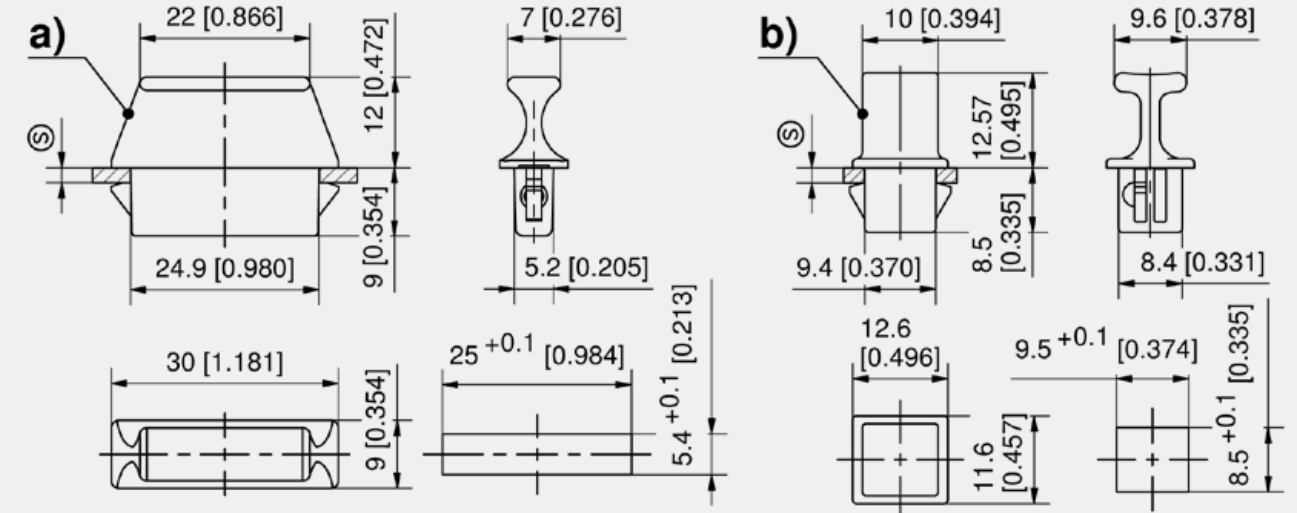


**Advantages**

- Flat grip handles with DIRAK-SNAP-Technology for 19" technology.
- Tool-less installation.
- Small space requirement.
- Suitable for insertions and equipments and other applications.
- Designed for vertical or horizontal uses.
- To be mounted by a simple push into the appropriate cutout.

**Materials**

- **Grip handle:** zinc die, matt chrome plated or black
- **Other surfaces on request.**
- **Snap wedges:** sintered steel



Grip Handle, zinc die

	Part Number	Clamping range	Cutout	Surface	Installation type
a)	413-9201.00-00609	0.6 - 0.9 mm	25 x 5,4	matt chrome plated	tool-less
a)	413-9201.00-00811	0.8 - 1.1 mm	25 x 5,4	matt chrome plated	tool-less
a)	413-9201.00-01215	1.2 - 1.5 mm	25 x 5,4	matt chrome plated	tool-less
a)	413-9201.00-01821	1.8 - 2.1 mm	25 x 5,4	matt chrome plated	tool-less
a)	413-9201.00-02225	2.2 - 2.5 mm	25 x 5,4	matt chrome plated	tool-less
b)	413-9202.00-00810	0.8 - 1.0 mm	9,5 x 8,5	matt chrome plated	tool-less
b)	413-9202.00-01113	1.1 - 1.3 mm	9,5 x 8,5	matt chrome plated	tool-less
b)	413-9202.00-01215	1.2 - 1.5 mm	9,5 x 8,5	matt chrome plated	tool-less
b)	413-9202.00-02022	2.2 - 2.5 mm	9,5 x 8,5	matt chrome plated	tool-less
b)	413-9203.00-00810	0.8 - 1.0 mm	9,5 x 8,5	black	tool-less
b)	413-9203.00-01113	1.1 - 1.3 mm	9,5 x 8,5	black	tool-less
b)	413-9203.00-01215	1.2 - 1.5 mm	9,5 x 8,5	black	tool-less
b)	413-9203.00-02022	2.2 - 2.5 mm	9,5 x 8,5	black	tool-less

Specific accessories	
+	756 292-0306.80-02530 <b>Tool for uninstallation</b>



**Advantages**

- Handle with Ø30mm in various lengths.
- Designed for vertical or horizontal uses.
- The great diameter of the tube guarantees a sure and firm grab.
- Well-fitting and firm seat of the tube in the center support and the end pieces.
- The center support is optional, but should be applied for tube length over 466mm length.
- Fastening by hex. socket head cap screws M8, or hex. screws or with countersunk screws M8.

**Materials**

- a) **End piece:** PA, black
- b) **Wall end piece:** PA, black
- c) **Center support:** PA, black
- z) **Tube:** steel, PVC coated, black

**Remarks**

For the total size, please add 68mm to the tube length.  
For wall fastening please take the end piece b).



**Advantages**

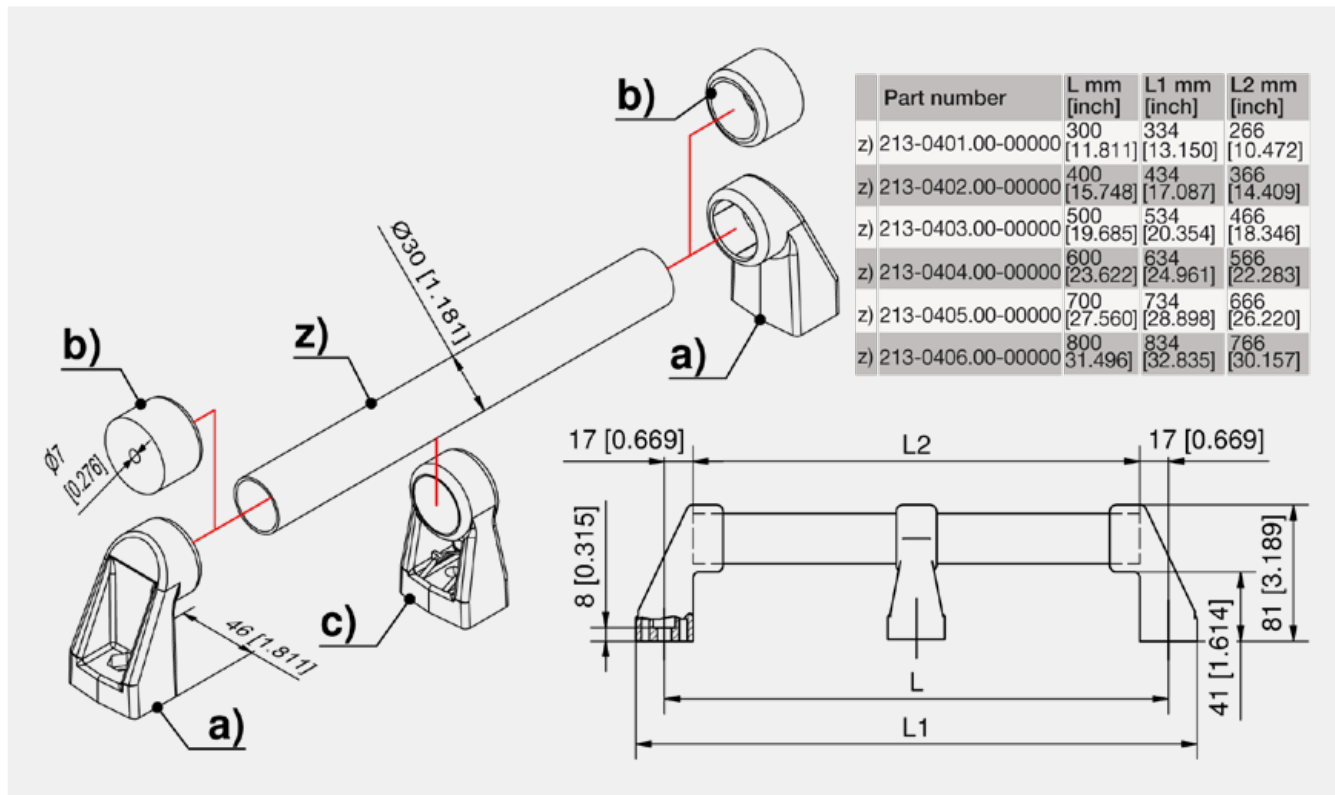
- Handle with Ø30mm tube-bar with DIRAK-SNAP-Technology in various lengths SNAP-LINE.
- Designed for vertical or horizontal uses.
- Insensitive to dirt and easy to clean.
- Inside radii min. 5mm.
- The great diameter of the tube guarantees a sure and firm grab.
- Well-fitting and firm seat of the tube in the center support and the end pieces.
- The center support is optional, but should be applied for tube length over 466mm length.
- The installation is effected by a simple push into appropriate cutout.

**Materials**

- a) **End piece:** PA, black
- b) **Center support:** PA, black
- z) **Tube:** steel, PVC coated, black
- **Snap wedges:** sintered steel

**Remarks**

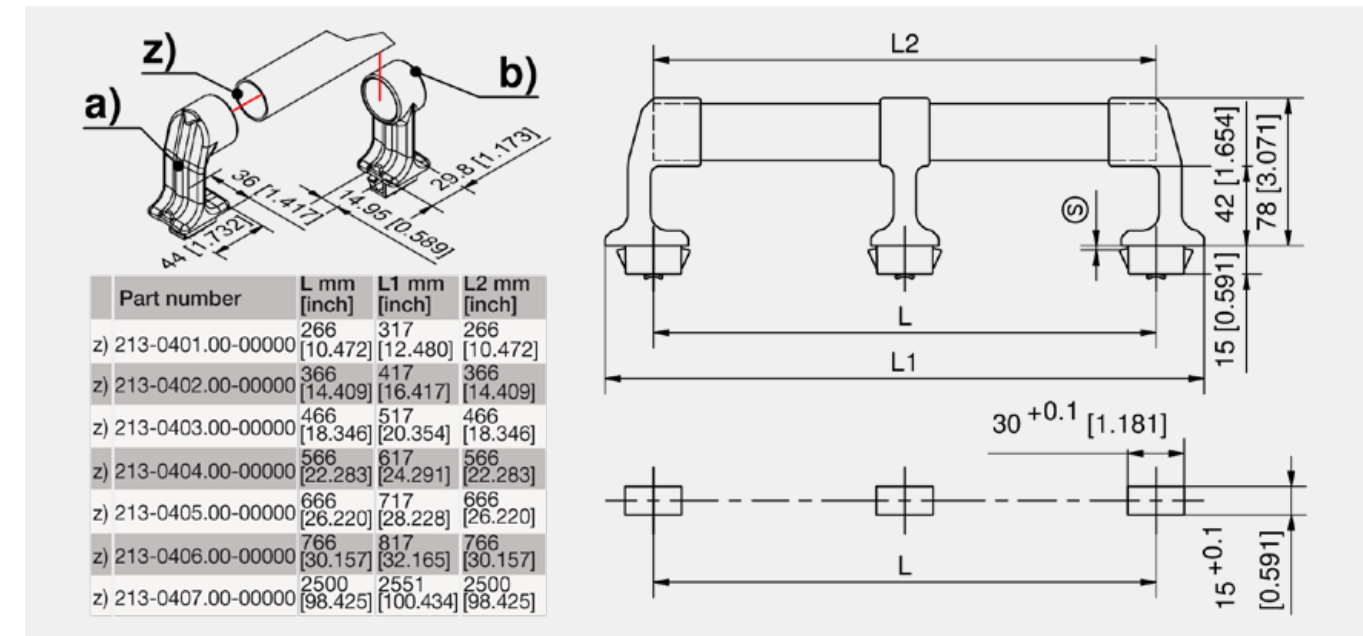
For the total size, please add 51mm to the tube length.



Fastening for handle

Part Number	Handle element
a) 213-0101.03-00000	End piece
b) 213-0107.03-00000	Wall end piece
c) 213-0102.03-00000	Center support

Accessories	
z) 213-0401.00-00000	Steel tube, 266mm
z) 213-0402.00-00000	Steel tube, 366mm
z) 213-0403.00-00000	Steel tube, 466mm
z) 213-0404.00-00000	Steel tube, 566mm
z) 213-0405.00-00000	Steel tube, 666mm
z) 213-0406.00-00000	Steel tube, 766mm
z) 213-0407.00-00000	Steel tube, 2500mm
z) 213-0408.00-Lxmmm	Steel tube, variable length



Fastening for handle

Part Number	Name	Clamping range	Installation type
a) 413-9101.00-00015	End piece	1.2 - 1.7 mm	tool-less
a) 413-9101.00-00020	End piece	1.7 - 2.2 mm	tool-less
a) 413-9101.00-00025	End piece	2.2 - 2.7 mm	tool-less
a) 413-9101.00-00030	End piece	2.7 - 3.2 mm	tool-less
b) 413-9102.00-00015	Center support	1.2 - 1.7 mm	tool-less
b) 413-9102.00-00020	Center support	1.7 - 2.2 mm	tool-less
b) 413-9102.00-00025	Center support	2.2 - 2.7 mm	tool-less
b) 413-9102.00-00030	Center support	2.7 - 3.2 mm	tool-less

Accessories	
755	292-0701.15-01530 Reinforcement plate for cutout
756	292-0301.15-00000 Tool for uninstallation
756	292-0306.80-02530 Tool for uninstallation
z)	213-0401.00-00000 Steel tube, 266mm
z)	213-0402.00-00000 Steel tube, 366mm
z)	213-0403.00-00000 Steel tube, 466mm
z)	213-0404.00-00000 Steel tube, 566mm
z)	213-0405.00-00000 Steel tube, 666mm
z)	213-0406.00-00000 Steel tube, 766mm





**Advantages**

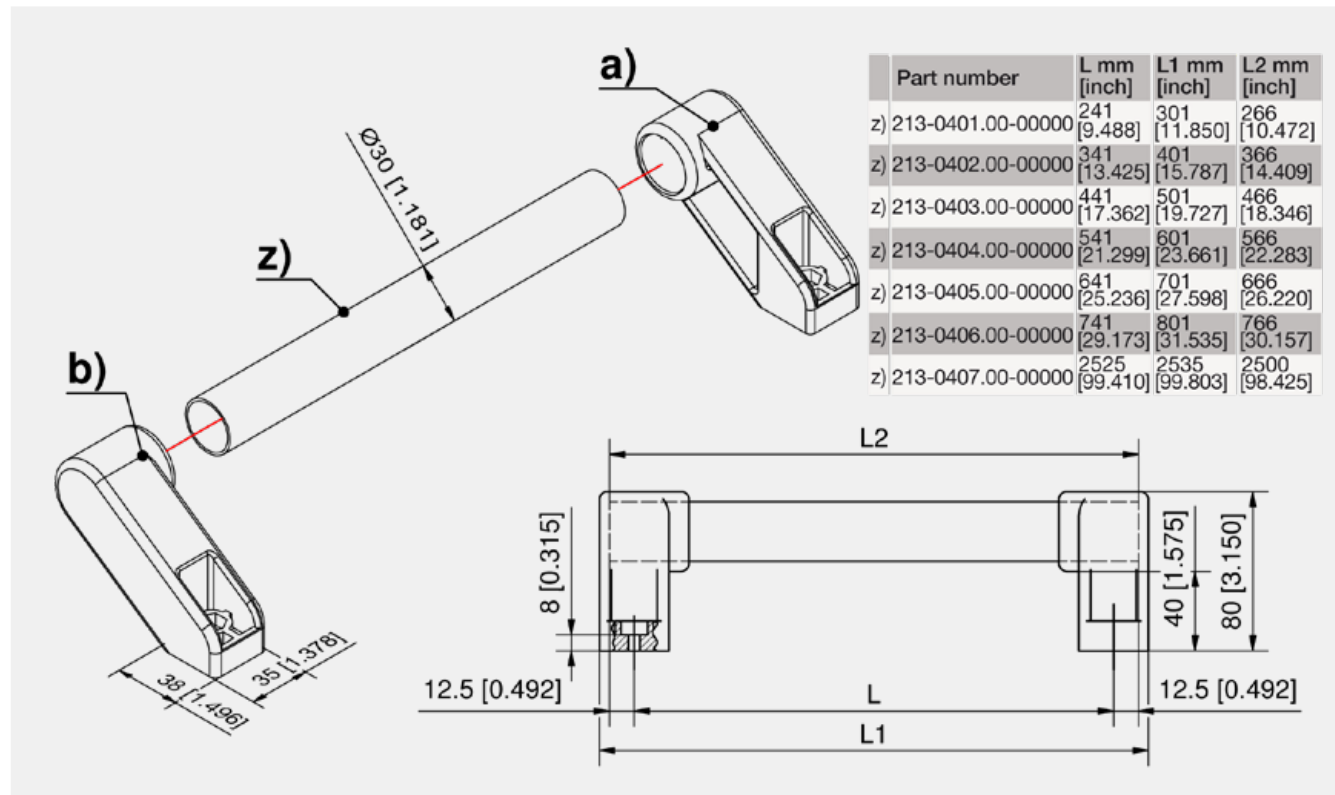
- Handle, bent with Ø30mm in various length.
- Designed for vertical or horizontal uses.
- The great diameter of the tube guarantees a sure and firm grab.
- Well-fitting and firm seat of the end pieces.
- For the total size, please add 10mm to the tube length.
- This handle is suitable especially for large and heavy doors and controlling enclosures.
- Fastening by hex. socket head cap screws M8, or hex. screws or with countersunk screws M8.

**Materials**

- a) and b)
- **End piece:** PA, black
- z)
- **Tube:** steel, PVC, black

**Remarks**

If needed center support and wall end piece from handle 6-1600.01 can be used.



Fastening for handle

Part Number	Handle element
a) 213-0103.03-00000	End piece, bent, RH
b) 213-0104.03-00000	End piece, bent, LH

Accessories	
z) 213-0401.00-00000	Steel tube, 266mm
z) 213-0402.00-00000	Steel tube, 366mm
z) 213-0403.00-00000	Steel tube, 466mm
z) 213-0404.00-00000	Steel tube, 566mm
z) 213-0405.00-00000	Steel tube, 666mm
z) 213-0406.00-00000	Steel tube, 766mm
z) 213-0407.00-00000	Steel tube, 2500mm
z) 213-0408.00-Lxxmm	Steel tube, variable length

Bridge Handle PA

See page 693