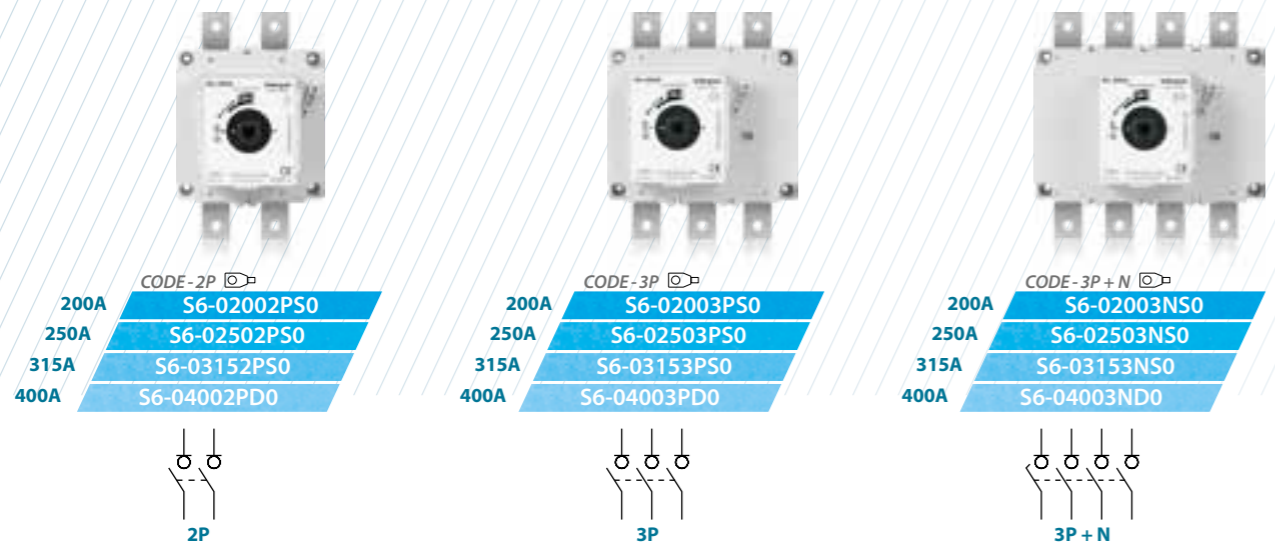


# S6000 AC Switch - disconnecter base mounting 2P - 3P - 3P+N

Size 1

A 200|250|315|400



## Technical information

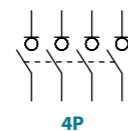
According to IEC 60947-3



		200	250	315	400		
Rated thermal current in ambient at	Ith 40° C	A	200	250	315	400	
	50° C	A	200	250	315	400	
	60° C	A	200	250	315	400	
Rated insulation voltage	Ui	V	1000	1000	1000	1000	
Rated dielectric strength	50 Hz., 1 min.	V	5000	5000	5000	5000	
Rated impulse withstand voltage	Uimp	kV	12	12	12	12	
AC Rated operational current <sup>*(1)</sup>	Monophasic	400V AC21A	A	200	250	315	400
		400V AC22A	A	200	250	315	400
	Triphasic	400V AC21A	A	200	250	315	400
		400V AC22A	A	200	250	315	400
AC rated operational power <sup>*(2)</sup>	Pe 3x400V	AC23A kW	110,8	138,5	174,5	221,7	
	Rated capacitor power	400V, sen φ=0,65	kVar	90	112,5	141,8	180,1
Rated breaking capacity	400V, cos φ=0,35-0,45	A	1600	2000	2520	3200	
Rated making capacity	400V, cos φ=0,45	A	2000	2500	3150	4000	

		200	250	315	400
<b>Short - circuit behaviour</b>					
Rated short-circuit making capacity <sup>*(3)</sup>	Icm kA (peak)	20	20	20	20
	Rated short-time withstand current (1sec)	Icw kA rms	12	12	12
Maximum cut - off current	kA (peak)	33	33	33	33
Maximum power dissipation	A <sup>2</sup> s (x10 <sup>3</sup> )	1000	1000	1000	1000
<b>Mechanical features</b>					
Minimum number of mechanical operations <sup>*(4)</sup>	Cycles	20000	20000	20000	20000
Maximum weight 2P	kg	1,65	1,65	1,65	1,68
Maximum weight 3P	kg	2,17	2,17	2,17	2,21
Maximum weight 3P+N	kg	2,70	2,70	2,70	2,76

<sup>\*(1)</sup> Other voltages and / or utilization categories. Please consult  
<sup>\*(2)</sup> Reference values, the associated current depends on motor manufacturer  
<sup>\*(3)</sup> Without limiting protective device (short-circuit maintained 50... 100 ms.)  
<sup>\*(4)</sup> Please consult us for more operations



Also available 4P switches under request, consult reference



## Accessories

- Direct handle**  
CODE DS-SI11
- External handle** included shaft <sup>\*(e1)</sup>  
IP65|UL50E/NEMA 250  
Types: 1, 3R, 4, 4X y 12  
CODE DS-SA11
- External handle** without shaft  
IP65|UL50E/NEMA 250  
Types: 1, 3R, 4, 4X y 12  
CODE DS-SA14
- Emergency external handle** included shaft <sup>\*(e1)</sup>  
IP65|UL50E/NEMA 250  
Types: 1, 3R, 4, 4X y 12  
CODE DS-SR11

- Terminal shrouds**  
CODE DR-CU11 (1 unit)  
CODE DR-CU12 (1 unit)  
CODE DR-CU13 (1 unit)

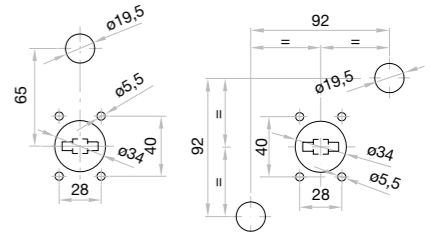
- Phase barriers**  
CODE DR-SF11 (1 unit)  
CODE DR-SF12 (2 units)  
CODE DR-SF13 (3 units)

- Spacers**  
CODE DR-EL11 (4 units)

- Safety key lock device**  
Simple CODE DS-CA11  
Double CODE DS-CE11

For external handle, lock the handle by means of a key in position "OFF" (under request, in "ON"), the key can only be removed with the handle locked

Door drilling for handle and keylock device  
Simple Double

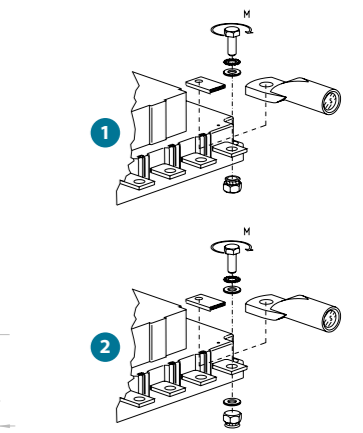
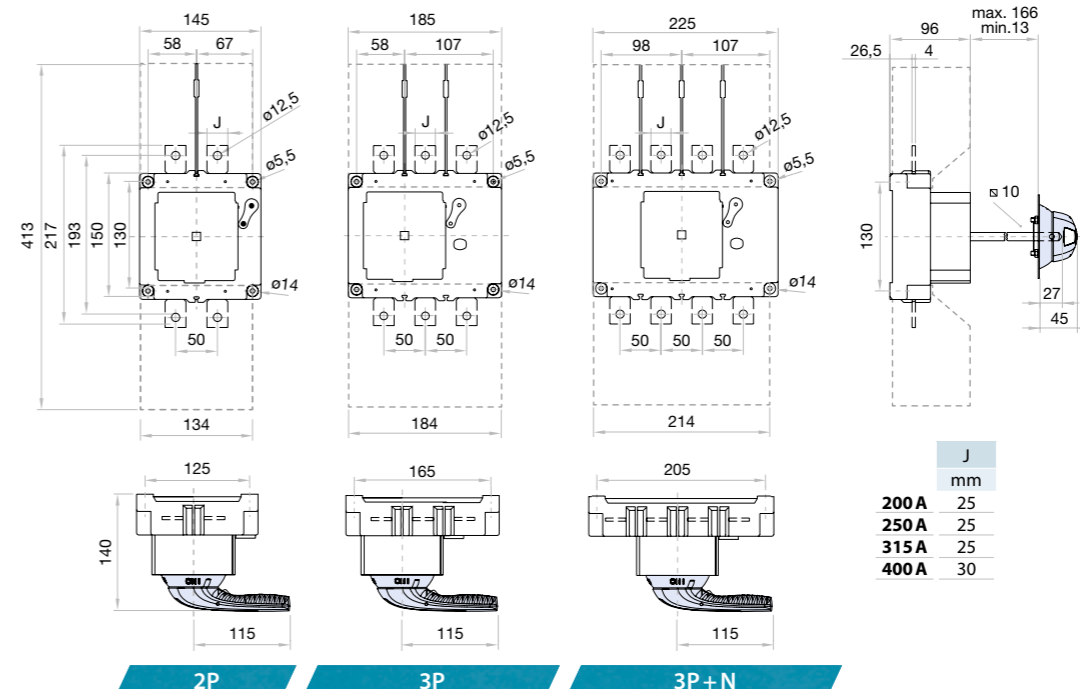


- Shafts**  
**Standard shaft** included <sup>\*(e1)</sup>  
L (mm) | P (mm) |  
227 | 103... 256

- Shaft extensions**  
Type 1  
L (mm) | P (mm) | CODE  
375 | 103... 415 | DS-EP14  
Type 2  
L (mm) | P (mm) | CODE  
536 | 103... 576 | DS-EP15

- Auxiliary contacts**  
1NO+1NC CODE D5LAU01  
2NO+2NC CODE D5LAU02  
Ie = 16 A (resistive loads)  
4 A (inductive loads) at 250 Vac.

## Dimensions (mm)



	S max (Cu) mm <sup>2</sup>	H max (Cu) mm	L max (Cu) mm	T M Nxm
200 A	185	8	25	M10 18
250 A	185	8	25	M10 18
315 A	185	8	25	M10 18
400 A	240 <sup>*(e1)</sup>	8	30	M10 18

<sup>\*(e1)</sup> Using phase barriers DR-SF... to maintain the required clearance.