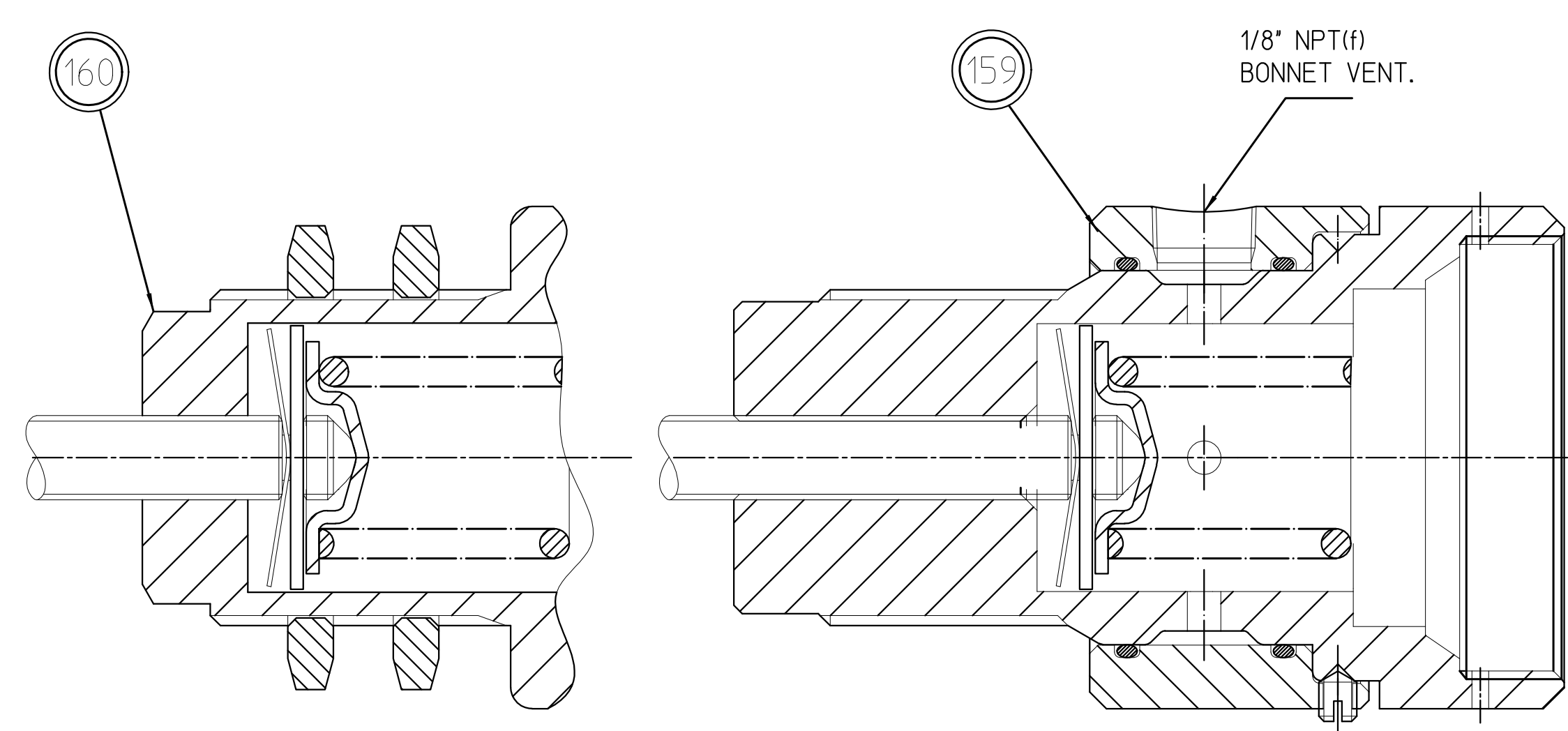
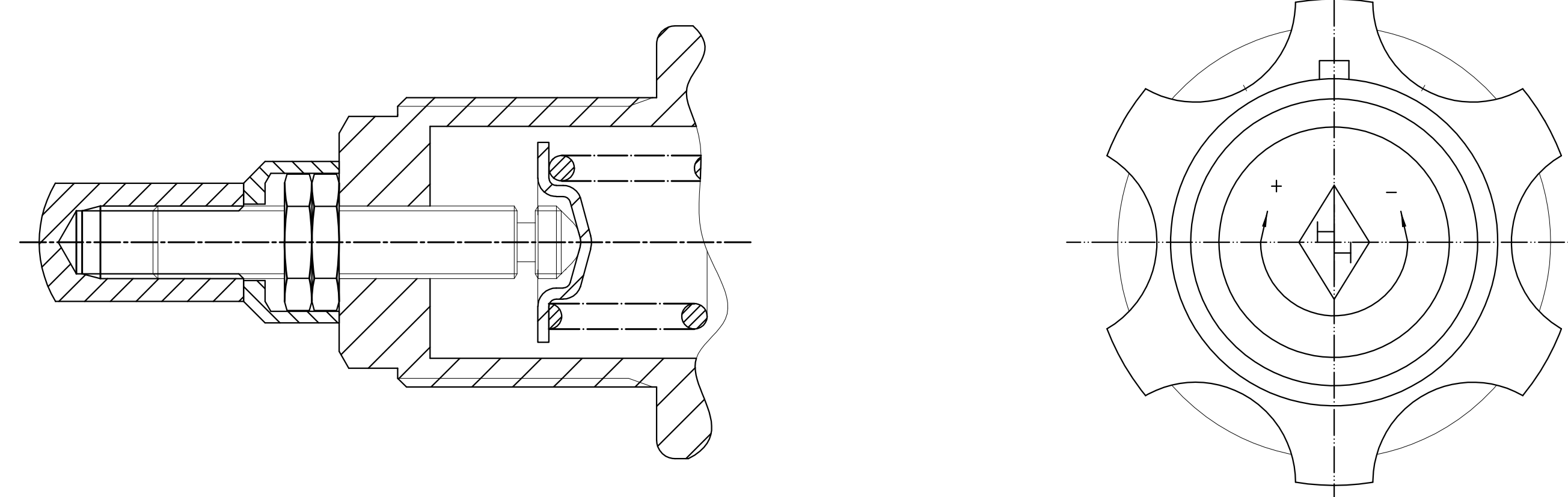


USED ON  
 BASED ON  
 CERT'D  
 CHK'D  
 C.S.W.  
 DRAWN  
 S.M.D.

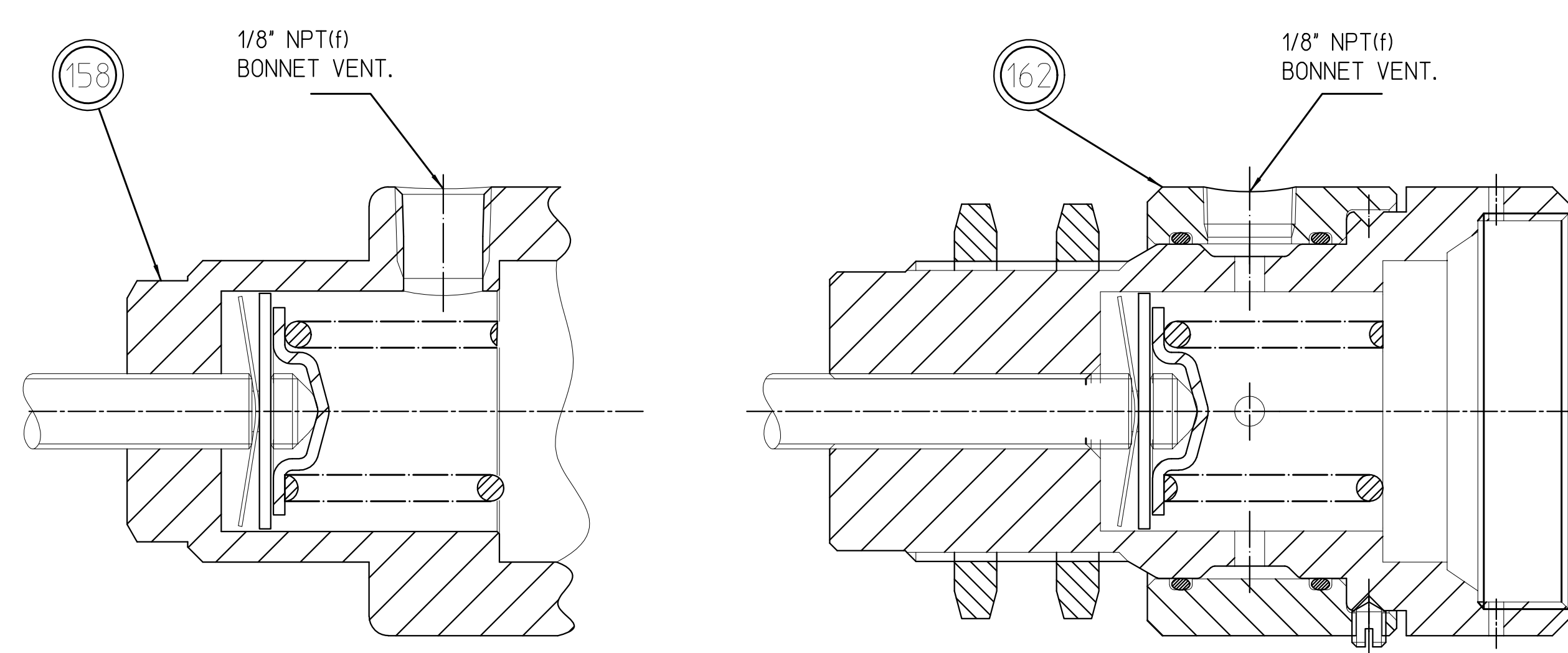
THE INFORMATION CONTAINED HEREIN IS UNCLASSIFIED EXCEPT WHERE SHOWN OTHERWISE. IT IS THE PROPERTY OF HALE HAMILTON (VALVES) LTD. AND IS LOANED TO YOU BY THE COMPANY. IT IS NOT TO BE REPRODUCED OR TRANSMITTED IN ANY FORM OR BY ANY MEANS, ELECTRONIC OR MECHANICAL, INCLUDING PHOTOCOPYING, RECORDING, OR BY ANY INFORMATION STORAGE AND RETRIEVAL SYSTEM, WITHOUT THE WRITTEN CONSENT OF HALE HAMILTON (VALVES) LIMITED.



VIEW SHOWING PANEL MOUNTING OPTION.  
 (HP1550\_4, HP1550\_5, & HP1550\_6)  
 VIEW SHOWING BONNET ADJUS. VENT OPTION  
 NOTE : OVERALL LENGTH INCREASES BY 19mm

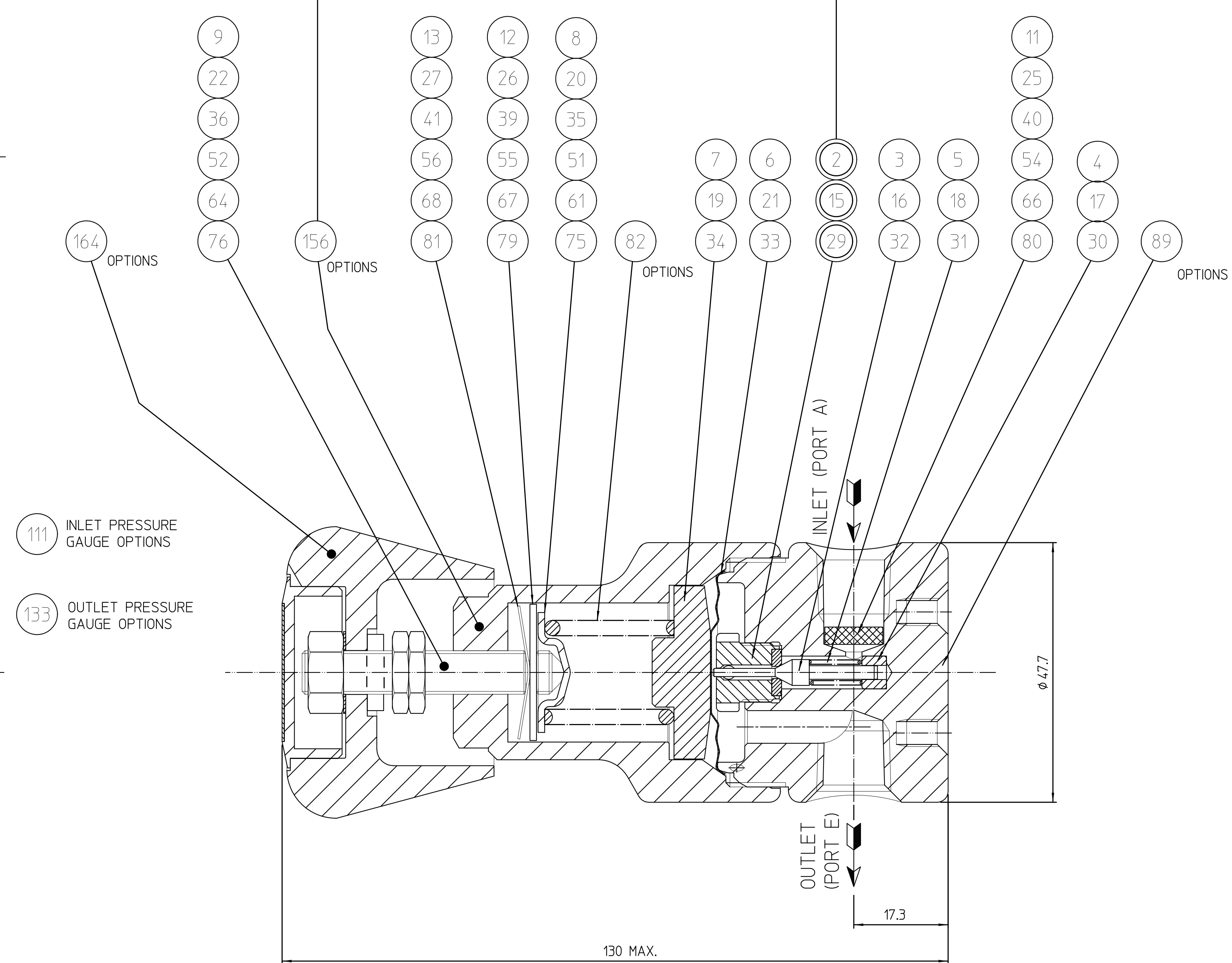


VIEW SHOWING LOCKED OUTLET OPTION  
 SPINDLE RETAINING PLATE (NE59791) AND DISC SPRING (NE59792) ARE NOT REQUIRED FOR THIS OPTION.

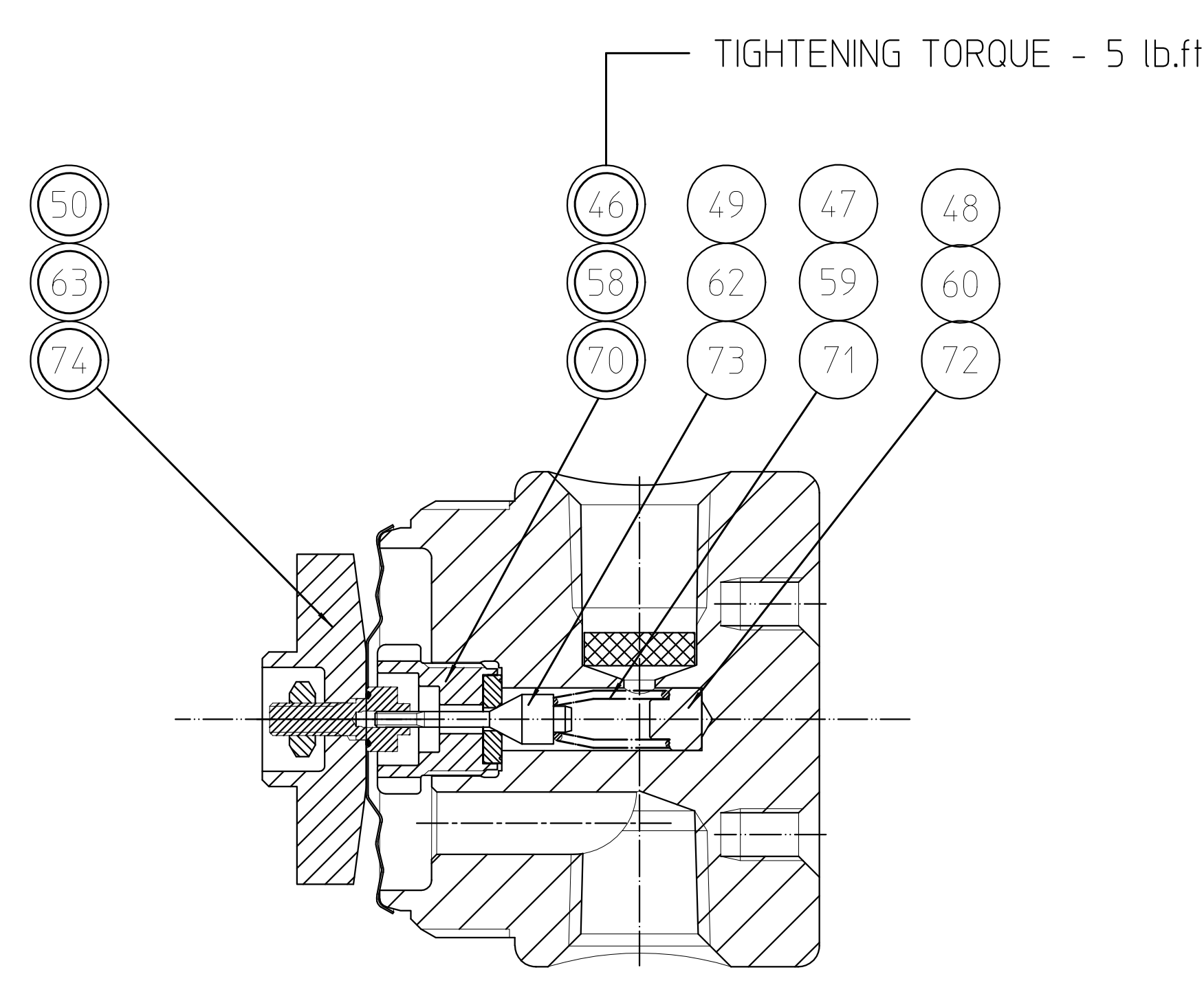


VIEW SHOWING BONNET VENTING OPTION.  
 (HP1550\_2, HP1550\_5)  
 VIEW SHOWING BONNET ADJUST. VENT AND PANEL MOUNT OPTION  
 NOTE : OVERALL LENGTH INCREASES BY 19mm

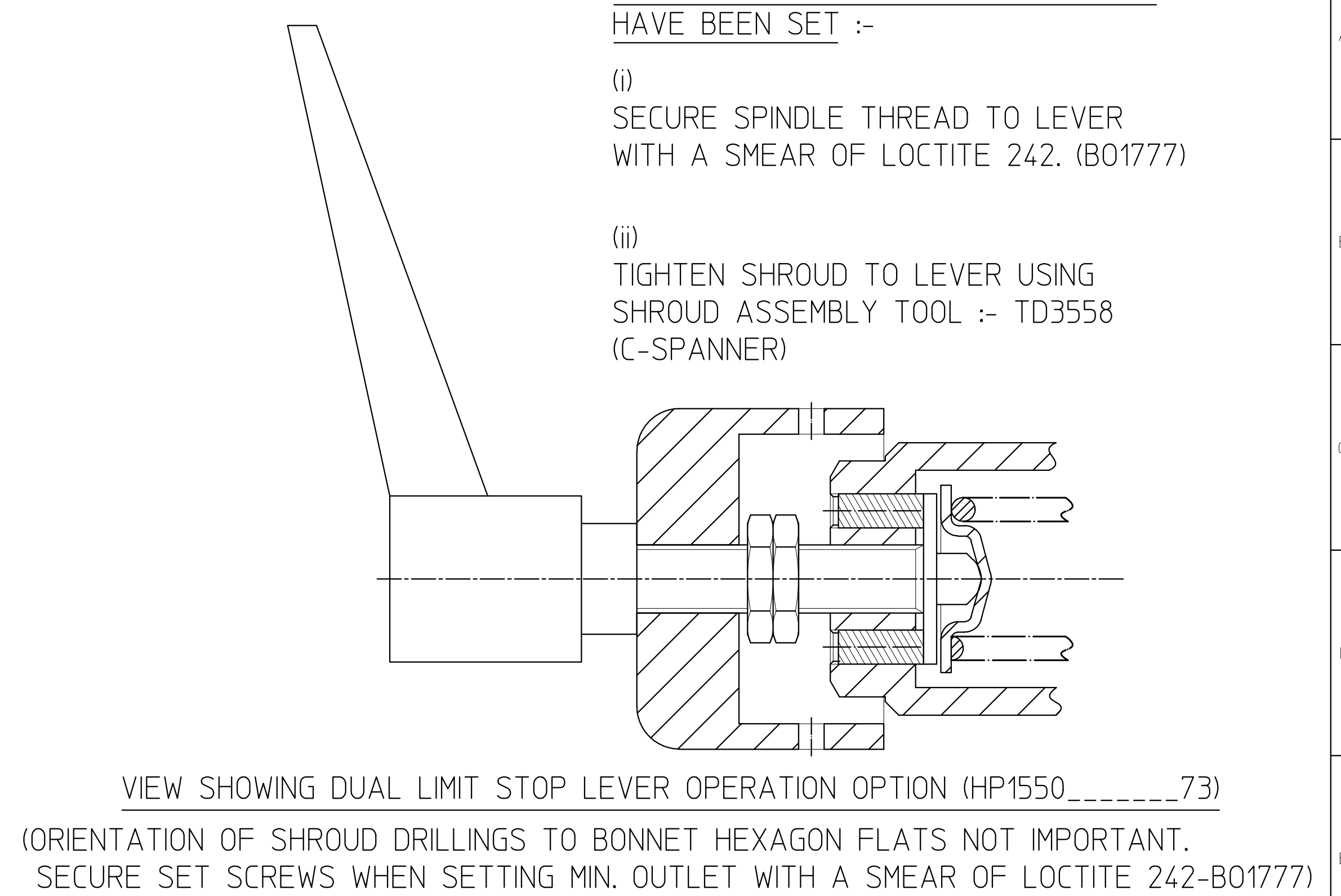
TIGHTENING TORQUE - 75 lb.ft  
 PRIOR TO ASSEMBLY LUBRICATE  
 M42 THD. WITH SMEAR OF  
 SILVER GOOP



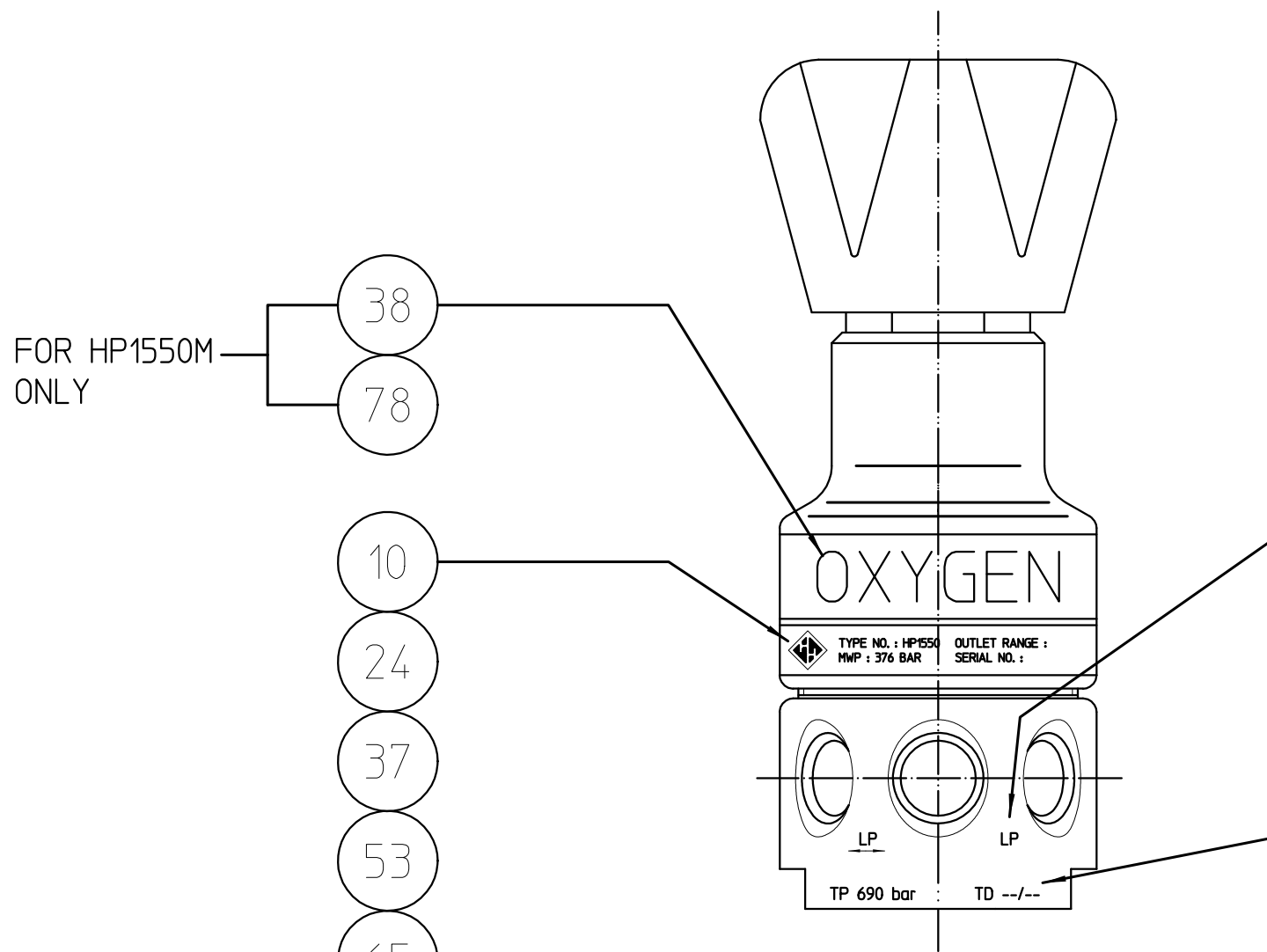
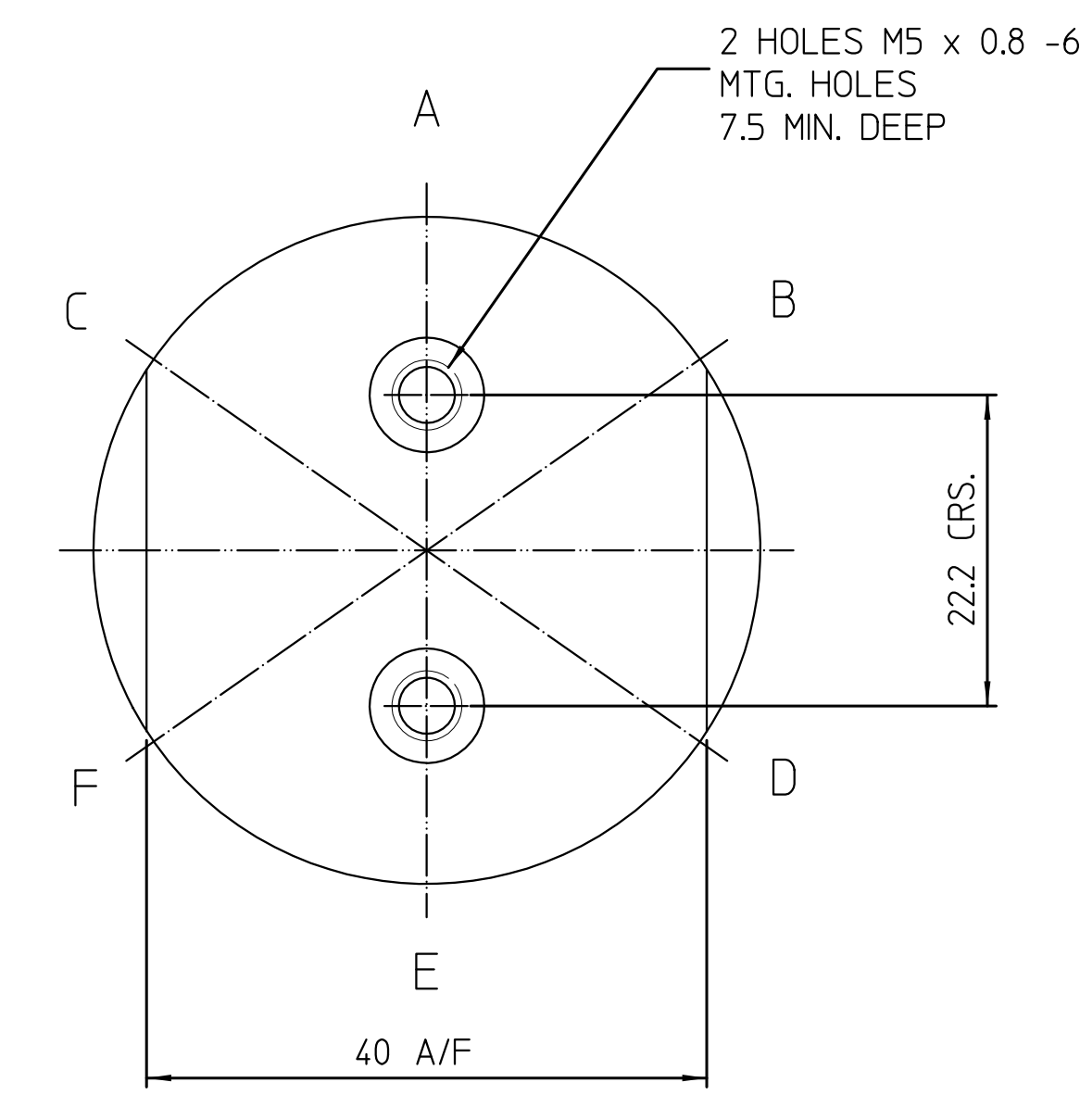
VIEW SHOWING NON-TIED DIAPHRAGM OPTIONS (HP1550\_N)



VIEW SHOWING TIED DIAPHRAGM OPTIONS (HP1550\_T)



VIEW SHOWING DUAL LIMIT STOP LEVER OPERATION OPTION (HP1550\_73)  
 (ORIENTATION OF SHROUD DRILLINGS TO BONNET HEXAGON FLATS NOT IMPORTANT. SECURE SET SCREWS WHEN SETTING MIN. OUTLET WITH A SMEAR OF LOCTITE 242-B01777)



BODY ENGRAVING (ITEM 54) :-  
 (2.5mm HIGH CHARACTERS)  
 (i) ENGRAVE 'LP.' BETWEEN PORTS 'D' & 'E'  
 ENGRAVE 'LP' NEXT TO PORT 'F'  
 (ii) ENGRAVE 'HP.' BETWEEN PORTS 'A' & 'B'  
 ENGRAVE 'HP' NEXT TO PORT 'C'  
 (iii) ENGRAVE AS SHOWN,  
 TP 690 bar TD ml/yr

ACTUAL SIZE

- NOTES**
- MAXIMUM WORKING INLET PRESSURE:- 376 bar (5452 psi)
  - HYDRAULIC TEST PRESSURE (BODY):- 690 bar (10000 psi)
  - MAXIMUM WORKING OUTLET PRESSURE:-
    - HP1550\_1 :- 0-3 BAR
    - HP1550\_2 :- 0-5 BAR
    - HP1550\_3 :- 0-7 BAR
    - HP1550\_4 :- 0-10 BAR
    - HP1550\_5 :- 0-20 BAR
  - CLEANLINESS SPECIFICATION:- C7
  - PERFORMANCE TEST SPECIFICATION:- TS1444
  - ACTUAL MASS:- T.B.D.
  - SERVICE INSTRUCTION:- 563
  - SPARES KIT K327
- TEST TOOLS**
- T 2160 (1 OFF)
  - T 2313 (2 OFF)
  - BO 9122 (4 OFF)
  - BO 3215 (1 OFF)
  - BO 4684 (2 OFF)
  - BO 4686 (4 OFF)

MATERIAL:		CONTRACTOR		CONTRACTORS ORG N°	
SPECIFICATION:		HALE HAMILTON (VALVES) LTD. LUXBRIDGE		NA56175	
FINISH:		MDD ESTABLISHMENT		TITLE	
TOLERANCE:		RESPONSIBLE AUTHORITY		PRESSURE CONTROLLER	
ESTIMATED MASS:		NSN		TYPE NO : HP1550	
DRG N° ORIGIN		SECURITY CLASSIFICATION & CAVEAT		CHANGE N°	
K 0 2 0 7				DATE	
1 2 3 5 10 15 20 25 28 31		SERVICE DRAWING N°		ISSUE	
PROJECT N°		PARTS LIST N°		N° OF SHEETS	
7559		PL1228		TYPE	
REMOVE SHARP CORNERS 1/64" MAX.RAD. OR CHAMFER UNLESS OTHERWISE STATED.		DMS.N		SHEET N°	
mm		SCALE		1 10	
		2:1		78 79 80	