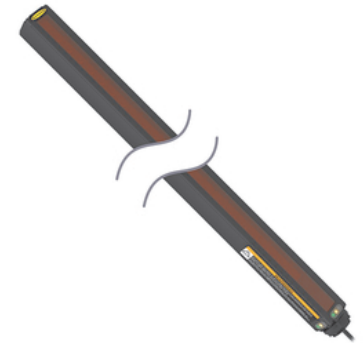
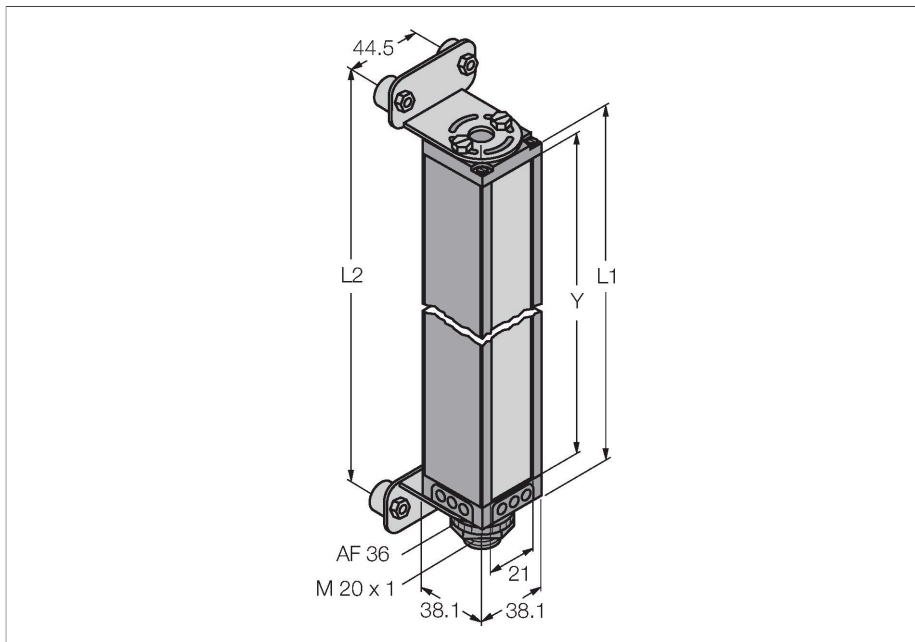


MAR3016NX485Q

Measuring Light Screen – Receiver



Features

- 150 mm cable with male connector, M12 × 1, 8-pin
- Scan field (Y): 752 mm
- Resolution: 19 mm
- Range: 16.5 m
- Operating voltage: 16...30 VDC
- 2 reversible switching outputs (NPN/PNP)
- RS485 interface

Functional principle

Measuring light screens are ideally suited for precise detection and inspection tasks such as sizing, product profiling, edge and center guiding, and detecting holes. Every system consists of an emitter and a receiver that has two reversible switching outputs. In addition, data is also transmitted via RS485. The device can be parametrized via the PC with software. The response times are dependent on the scan field and the scan mode set. Detailed information on this can be found in the instruction manual.


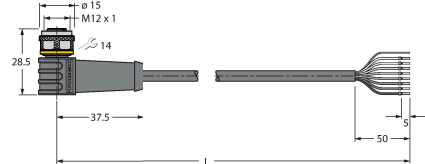
Technical data

Type	MAR3016NX485Q
ID	3072195
Optical data	
Function	Light screen
Operating mode	Receiver
Light type	IR
Optical resolution	9.5 mm
Range	0...16500 mm
Scan field	752 mm
Number of beams	40
Electrical data	
Operating voltage	16...30 VDC
Reverse polarity protection	yes
Communication protocol	RS485
Output function	2 normally open contact, PNP/NPN
Response time typical	< 23 ms
Mechanical data	
Design	Rectangular, Mini Array
Dimensions	38.1 x 38.1 x 841 mm
Housing material	Metal, AL
Lens	plastic, Acrylic
Electrical connection	Cable with connector, M12 × 1, 0.15 m
Number of cores	8

Technical data

Ambient temperature	-40...+70 °C
Protection class	IP65
Tests/approvals	
Approvals	CE
Approvals	CE cULus recognized

Accessories

Dimension drawing	Type	ID	
	RKS8T-2/TEL	6625446	Connection cable, M12 female connector, straight, 8-pin, cable length: 2 m, sheath material: PVC, black; shielded; cULus approval; other cable lengths and qualities available, see www.turck.com
	WKS8T-2/TEL	6625449	Connection cable, M12 female connector, angled, 8-pin, cable length: 2 m, sheath material: PVC, black; shielded; cULus approval; other cable lengths and qualities available, see www.turck.com