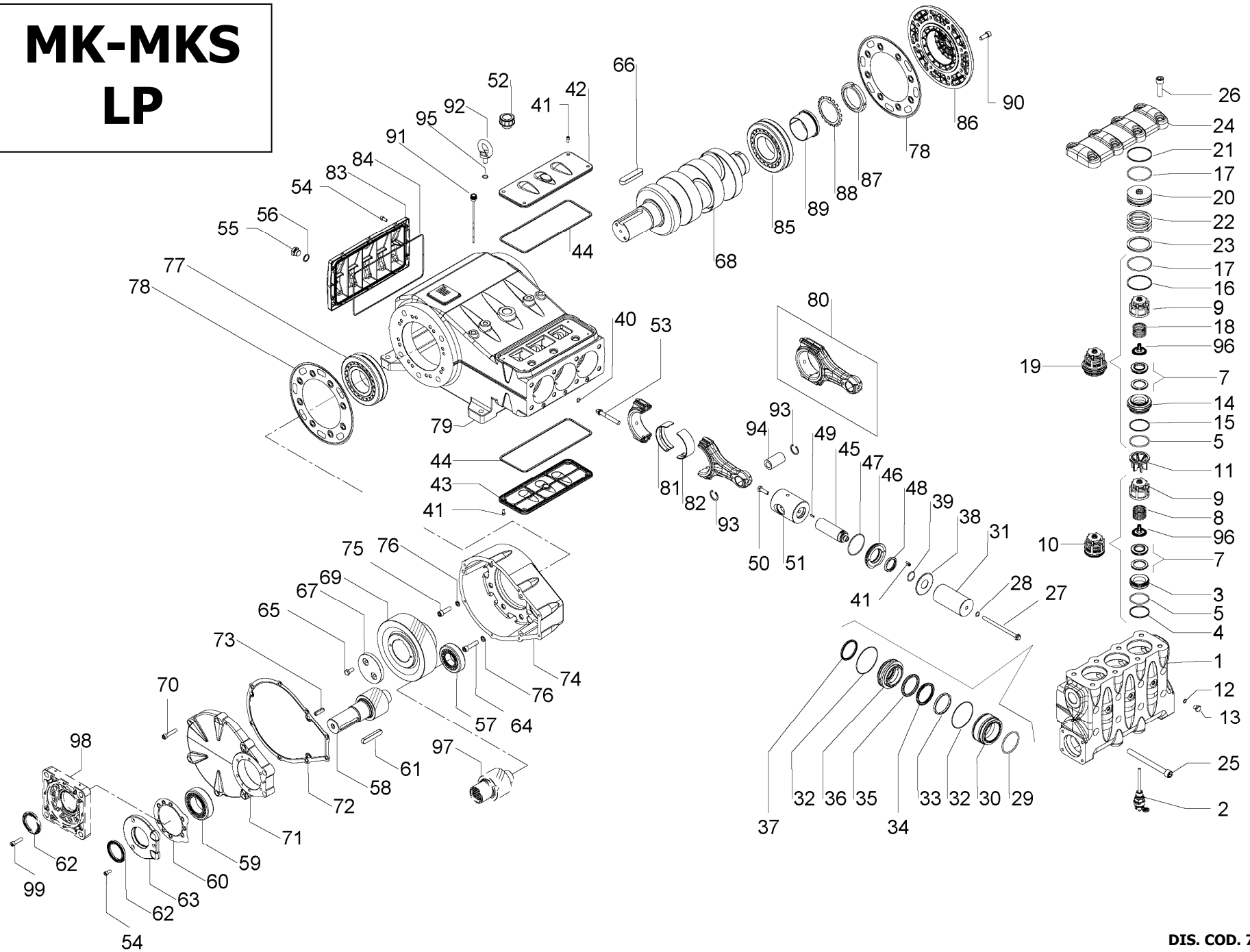


# MK-MKS LP



### KIT RICAMBIO – SPARE KIT

		MK-MKS 55	MK-MKS 60	MK-MKS 65
<b>A</b>	Kit tenute pompanti – Plunger packing kit	KIT 2045	KIT 2046	KIT 2047
<b>B</b>	Kit valvole – Valve kit	KIT 2048		
<b>C</b>	Kit tenute complete – Complete seals kit	KIT 2049	KIT 2050	KIT 2051
<b>D</b>	Kit bronzine bielle – Conrod bushing kit	KIT 2076 – 2077 - 2078		



**MK 55 – MK 60 – MK65**  
**MKS 55 – MKS 60 – MKS 65**

POS	CODE CODICE	DESCRIPTION DESCRIZIONE	KIT	NR. PCS	POS	CODE CODICE	DESCRIPTION DESCRIZIONE	KIT	NR. PCS	POS	CODE CODICE	DESCRIPTION DESCRIZIONE	KIT	NR. PCS
1	74.1201.15 74.1204.15	Testata L.P. Testata L.P. - NPT		1 1	35	90.2875.00 90.2885.00 90.2895.00	Anello RESTOP Ø 55x70x8/4.5 Anello RESTOP Ø 60x76x8/4.5 Anello RESTOP Ø 65x80x8/4.5	A-C A-C A-C	3 3 3	68	74.0202.35 74.0201.35	Albero a gomiti C.72 – (MKS) Albero a gomiti C.72 – (MK)		1 1
2	<b>10.7445.01</b>	<b>Dispositivo apertura valvole asp.</b>		<b>3</b>							10.0736.35	Corona Z51 R.2.22 – Elicoid. - (MKS)		1
3	<b>36.2066.66</b>	<b>Sede valvola aspirazione</b>		<b>3</b>		74.21206.8	Supporto guarnizioni Ø 55		3	69	10.0705.35	Corona Z53 R.2.65 – Elicoid. - (MK/S)		1
4	<b>90.5270.00</b>	<b>Anello antiest. Ø 61.2x67x2</b>	<b>C</b>	<b>3</b>	36	74.2121.68	Supporto guarnizioni Ø 60		3		10.0706.35	Corona Z56 R.3.29 – Elicoid. - (MK/S)		1
5	<b>90.4105.00</b>	<b>OR Ø59,92x3,53 (4237)</b>	<b>C</b>	<b>6</b>		74.2122.68	Supporto guarnizioni Ø 65		3	<b>70</b>	<b>99.3730.00</b>	<b>Vite M10x50 UNI 5931</b>		<b>8</b>
7	<b>36.2087.01</b>	<b>Valvola sferica - Completa</b>		<b>6</b>		90.2870.00	Anello ten. alt. Ø 55x63x5,5 L.P.	A-C	3	<b>71</b>	<b>74.2126.13</b>	<b>Coperchio riduttore</b>		<b>1</b>
8	<b>94.7698.00</b>	<b>Molla Ø 41.5x37.9</b>		<b>3</b>	37	90.2880.00	Anello ten. alt. Ø 60x68x5,5 L.P.	A-C	3	<b>72</b>	<b>74.2128.84</b>	<b>Guarnizione scatola riduttore</b>	<b>C</b>	<b>1</b>
9	<b>36.2060.51</b>	<b>Guida valvola aspiraz. / mandata</b>		<b>6</b>		90.2890.00	Anello ten. alt. Ø 65x73x5,5 L.P.	A-C	3	<b>73</b>	<b>97.6300.00</b>	<b>Spina Ø 12x40 - B UNI EN 28734</b>		<b>3</b>
10	<b>36.7150.01</b>	<b>Gruppo valvola aspirazione</b>	<b>B</b>	<b>3</b>	<b>38</b>	<b>74.2133.51</b>	<b>Paraspruzzi</b>		<b>3</b>	<b>74</b>	<b>74.2124.13</b>	<b>Scatola riduttore</b>		<b>1</b>
11	<b>74.2105.51</b>	<b>Distanziale guida valvola L.P.</b>	<b>B</b>	<b>3</b>	<b>39</b>	<b>90.3865.00</b>	<b>OR Ø 29,82x2,62 (3118)</b>	<b>C</b>	<b>3</b>	<b>75</b>	<b>99.4305.00</b>	<b>Vite M12x40 UNI 5931</b>		<b>6</b>
12	<b>90.3584.00</b>	<b>OR Ø 10,82x1,78 (2043)</b>	<b>C</b>	<b>3</b>	<b>40</b>	<b>90.3825.00</b>	<b>OR Ø 10,78x2,62 (3043)</b>	<b>A-C</b>	<b>3</b>	<b>76</b>	<b>96.7170.00</b>	<b>Rondella Ø 12 DIN7980 grower</b>		<b>8</b>
13	<b>98.2046.00</b>	<b>Tappo G 1/4"x13 - INOX</b>		<b>3</b>	<b>41</b>	<b>99.1837.00</b>	<b>Vite M6x14 8.8 – Zinc.</b>		<b>14</b>	<b>77</b>	<b>91.8850.00</b>	<b>Cuscinetto a rulli 21317CC</b>		<b>1</b>
14	<b>36.2068.66</b>	<b>Sede valvola mandata</b>		<b>3</b>	<b>42</b>	<b>74.1501.22</b>	<b>Coperchio ispezione chiuso</b>		<b>1</b>	<b>78</b>	<b>74.2130.84</b>	<b>Guarnizione laterale</b>	<b>C</b>	<b>2</b>
15	<b>90.5273.00</b>	<b>Anello antiest. Ø 61.4x67.2x1.5</b>	<b>C</b>	<b>3</b>	<b>43</b>	<b>74.1502.22</b>	<b>Coperchio ispezione aperto</b>		<b>1</b>	<b>79</b>	<b>74.0101.13</b>	<b>Carter pompa</b>		<b>1</b>
16	<b>90.5290.00</b>	<b>Anello antiest. Ø 77.2x83x1.5</b>	<b>C</b>	<b>3</b>	<b>44</b>	<b>90.4500.00</b>	<b>OR Ø 266,06x5,34 (61050)</b>	<b>C</b>	<b>2</b>	<b>80</b>	<b>74.0302.01</b>	<b>Biella completa</b>		<b>3</b>
17	<b>90.4134.00</b>	<b>OR Ø 75,8x3,53 (4300)</b>	<b>B-C</b>	<b>6</b>	<b>45</b>	<b>74.0501.66</b>	<b>Stelo guida pistone</b>		<b>3</b>		90.9300.00	Semiboccola testa biella – Inf.	<b>D</b>	<b>3</b>
18	<b>94.7700.00</b>	<b>Molla Ø 41.5x38.3</b>		<b>3</b>	<b>46</b>	<b>74.2131.71</b>	<b>Coperchio paraolio guida pist.</b>		<b>3</b>	<b>81</b>	90.9301.00	Semiboccola testa biella +0.25 – Inf.	<b>D</b>	<b>3</b>
19	<b>36.7152.01</b>	<b>Gruppo valvola mandata</b>	<b>B</b>	<b>3</b>	<b>47</b>	<b>90.3914.00</b>	<b>OR Ø 72,69x2,62 (3287)</b>	<b>C</b>	<b>3</b>		90.9302.00	Semiboccola testa biella +0.50 – Inf.	<b>D</b>	<b>3</b>
20	<b>74.2109.70</b>	<b>Tappo valvola mandata L.P.</b>		<b>3</b>	<b>48</b>	<b>90.1679.00</b>	<b>Anello rad. Ø 40x52x7</b>	<b>C</b>	<b>3</b>		90.9310.00	Semiboccola testa biella - Sup.	<b>D</b>	<b>3</b>
21	<b>90.5293.00</b>	<b>Anello antiest. Ø 77.4x83.2x1.5</b>	<b>B-C</b>	<b>3</b>	<b>49</b>	<b>97.6740.00</b>	<b>Spina elastica Ø 5x16 UNI EN 28748</b>		<b>3</b>	<b>82</b>	90.9311.00	Semiboccola testa biella +0.25 - Sup.	<b>D</b>	<b>3</b>
22	<b>94.8000.00</b>	<b>Molla Ø 75x49.6</b>		<b>3</b>	<b>50</b>	<b>99.3697.00</b>	<b>Vite M10x35 UNI 5739</b>		<b>3</b>		90.9312.00	Semiboccola testa biella +0.50 - Sup.	<b>D</b>	<b>3</b>
23	<b>74.2107.66</b>	<b>Anello sede valvola mand. L.P.</b>		<b>3</b>		74.0500.43	Guida pistone		<b>3</b>	<b>83</b>	<b>74.1600.22</b>	<b>Coperchio carter</b>		<b>1</b>
24	<b>74.2101.15</b>	<b>Coperchio valvole L.P.</b>		<b>1</b>	<b>51</b>	74.0502.43	Guida pistone +1		<b>3</b>	<b>84</b>	<b>90.4160.00</b>	<b>OR Ø 304,39x3,53 (41200)</b>	<b>C</b>	<b>1</b>
25	<b>99.5222.00</b>	<b>Vite M16x180 UNI 5931</b>		<b>8</b>	<b>52</b>	<b>98.2324.00</b>	<b>Tappo carico olio G1"</b>		<b>1</b>	<b>85</b>	<b>91.8852.00</b>	<b>Cuscinetto a rulli 21317CCK</b>		<b>1</b>
26	<b>99.5147.00</b>	<b>Vite M16x55 UNI 5931</b>		<b>8</b>	<b>53</b>	<b>99.4410.00</b>	<b>Vite serr. biella M12x1.25x87</b>		<b>6</b>	<b>86</b>	<b>74.1500.22</b>	<b>Coperchio cuscinetto</b>		<b>1</b>
27	<b>99.3850.00</b>	<b>Vite M10x160 UNI 5737</b>		<b>3</b>	<b>54</b>	<b>99.3045.00</b>	<b>Vite M8x18 UNI5931 - Zinc.</b>		<b>13</b>	<b>87</b>	<b>93.0800.00</b>	<b>Ghiera di bloccaggio tipo KM</b>		<b>1</b>
28	<b>96.7105.00</b>	<b>Rosetta Ø 10x18x0.9 INOX+PTFE</b>		<b>3</b>	<b>55</b>	<b>98.2183.00</b>	<b>Tappo G 1/2"x13 - NICKEL</b>		<b>1</b>	<b>88</b>	<b>96.8300.00</b>	<b>Rosetta di sicurezza tipo MB</b>		<b>1</b>
29	<b>90.4185.00</b>	<b>OR Ø 72x4</b>	<b>A-C</b>	<b>3</b>	<b>56</b>	<b>96.7514.00</b>	<b>Rosetta Ø 21,5x27x1,5</b>		<b>1</b>	<b>89</b>	<b>91.8800.00</b>	<b>Bussola di pressione</b>		<b>1</b>
					<b>57</b>	<b>91.8580.00</b>	<b>Cuscinetto a rulli 21309CC</b>		<b>1</b>	<b>90</b>	<b>99.4280.00</b>	<b>Vite M12x30 UNI 5931</b>		<b>8</b>
30	74.2114.56 74.2115.56 74.2116.56	Camicia pistone Ø 55 Camicia pistone Ø 60 Camicia pistone Ø 65		3 3 3		10.0702.35 10.0703.35	Pignone Z20 R.2.65 – Elicoid. - (MK/S) Pignone Z17 R.3.29 – Elicoid. - (MK/S)		1 1	<b>91</b> <b>92</b>	<b>98.2092.00</b> <b>93.1050.00</b>	<b>Tappo con asta G 3/8"x163</b> <b>Golfare M16 UNI 2947 – Zinc.</b>		<b>2</b> <b>2</b>
						10.0737.55	Pignone Z23 R.2.22 – Elicoid. - (MKS)		1	<b>93</b>	<b>90.0697.00</b>	<b>Anello 35 UNI 7437</b>		<b>6</b>
31	74.0403.09 74.0404.09 74.0405.09	Pistone Ø 55x127 Pistone Ø 60x127 Pistone Ø 65x127		3 3 3		<b>59</b> <b>60</b> <b>61</b>	<b>91.8600.00</b> <b>74.2129.84</b> <b>91.5030.00</b>	<b>C</b>	<b>1</b> <b>1</b> <b>1</b>	<b>94</b> <b>95</b> <b>96</b>	<b>97.7450.00</b> <b>90.3833.00</b> <b>36.2089.51</b>	<b>Spinotto Ø 35x64</b> <b>OR Ø 13.95x2.62 (3056)</b> <b>Guida interna valvola</b>	<b>C</b>	<b>3</b> <b>2</b> <b>6</b>
						<b>62</b>	<b>90.1800.00</b>	<b>C</b>	<b>1</b>	<b>97</b>	<b>10.0725.55</b>	<b>Pignone Z20-1500 - Elicoid.</b>		<b>1</b>
33	74.1004.92 74.1005.92	Anello di testa pistone Ø 55 Anello di testa pistone Ø 60 Anello di testa pistone Ø 65		3 3 3		<b>63</b> <b>64</b>	<b>74.2127.22</b> <b>99.4335.00</b>		<b>1</b> <b>2</b>	<b>98</b> <b>99</b>	<b>10.0726.20</b> <b>99.3686.00</b>	<b>Flangia per motore idraulico</b> <b>Vite TCEI M10x30 UNI 5931</b>		<b>1</b> <b>6</b>
						<b>65</b>	<b>99.3667.00</b>		<b>2</b>					
34	90.2873.00 90.2883.00 90.2893.00	Anello ten. Ø 55x70x7.5/4.5 H.P. Anello ten. Ø 60x76x8/4.8 H.P. Anello ten. Ø 65x80x7.5/4.5 H.P.	A-C A-C A-C	3 3 3		<b>66</b> <b>67</b>	<b>91.5120.00</b> <b>74.2132.55</b>		<b>1</b> <b>1</b>					
							<b>Fermo corona</b>		<b>1</b>					