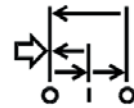
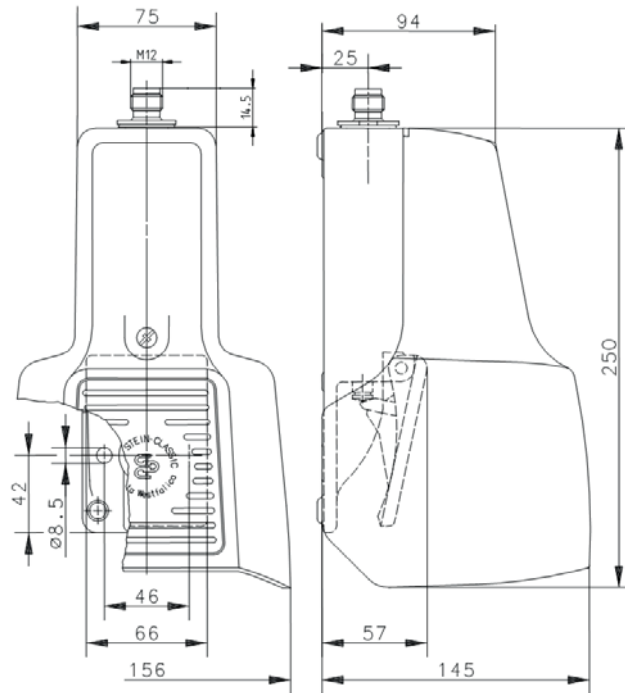


Foot-switch

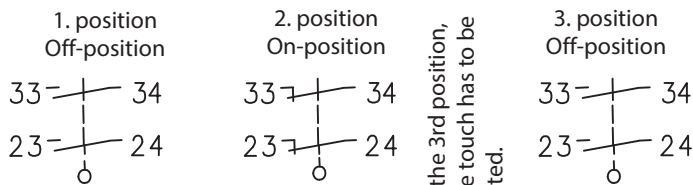
Series F1 ASI UN

Description **F1-ASI-ZSD UN**

Article number **6073700085**

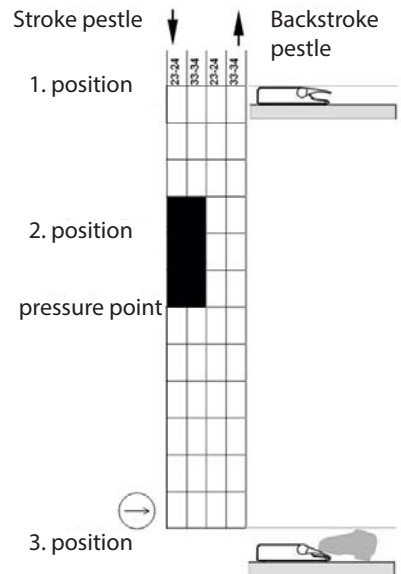


Switching symbol (Three-Step-Safety Switch)



To reach the 3rd position, the tactile touch has to be surmounted.

Operating diagramme



Electrical data		
Operating voltage	U	18 ... 31,6 V; via AS-interface, reverse-polarity proof
Operating current	I	< 30 mA
AS-i Specifications		Profile S-0.B IO-Code: 0x0 ID-Code: 0xB ID-Code1: 0xF ID-Code2: 0xE
AS-i Inputs		Contact 1: Date bits D0/D1 = static 00 or dynamic code transmission Contact 2: Date bits D2/D3 = static 00 or dynamic code transmission
Parameterbits		no function
AS-i Address		preset address: 0

Mechanical data		
Enclosure		AL, die-cast
Protective guard (Accident protection cover UN)		AL, die-cast
Actuator		Foot lever (PA)
Ambient air temperature		Operating temperature range: -10 °C to +50 °C Storage temperature range: -25 °C to +70 °C
Contact type		2 NO. (Zb) (Enabling contacts)
Operating force	1. position 2. position	10 N 25 N
Pressure point		≈ 200 N
Mechanical life		
Sequence of the switching position or:	1 – 2 – 1 1 – 2 – 3 – 1	10 x 10 ⁶ operating cycles 1 x 10 ⁶ operating cycles
Switching frequency		max. 30/min
Assembly		2 x M8
Connection		Plug connector M12 male
Plug connection		1: AS-i + 2: free 3: AS-i - 4: free
Weight		≈ 1,6 kg
Protection type		IP67 in accordance with IEC/EN 60529

ID for safety engineering	
B10d	1 x 10 ⁵ Schaltspiele

Regulations	
	VDE 0660 T100, DIN EN 60947-1, IEC 60947-1
	VDE 0660 T200, DIN EN 60947-5-1, IEC 60947-5-1
	DIN EN 61326-3-1
	EN 13849
	EN 50295
	DIN EN ISO 13849-1

EU Conformity	
	acc. to directive 2004/108/EC

Approvals	
	cUL _{US}

Safety Classification	
	according 13849-1 to PL e
	MTTFd = high
	PFD = 2,49 * 10 ⁻¹⁰

Function	
<p>Normally open contacts: 23 – 24, 33 – 44</p> <ul style="list-style-type: none"> • Position 1: OFF position of the operating contacts (the pedal is not actuated) • Position 2: ON position of the operating contacts (the Tpedal is actuated to as far as the pressure pointT) • Position 3: OFF position of the operating contacts (the pedal is fully actuated) <p>If the three-stage enable switch is actuated in position 2, it returns to position 1 when it is released. The three-stage enable switch changes from position 2 to position 3, if it gets further pressed unter after the resistance of the pressure point.</p> <p>The actuation of the operating contacts is made by a positive opening.</p> <p>Once the pedal is not pressed, the three-stage enable switch returns to position 1.</p> <p>The operating contacts are opened in the return stroke.</p>	

Notes	
<p>The specified protection classification (IP code) applies only when the cover is closed and the appropriate cable is used, in accordance with the clamping range of the above mentioned cable gland.</p>	