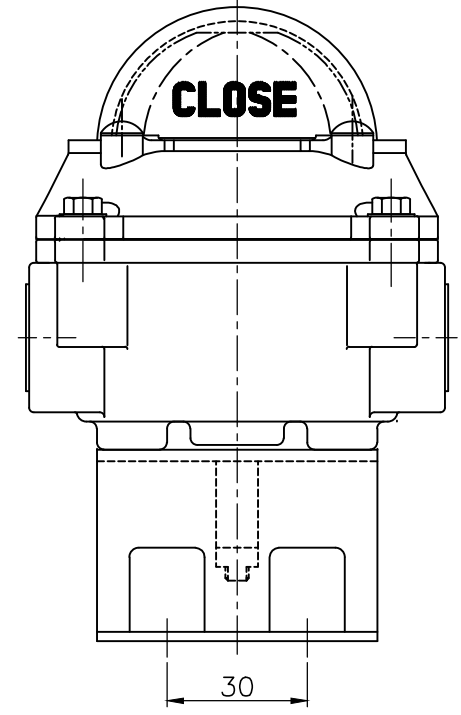
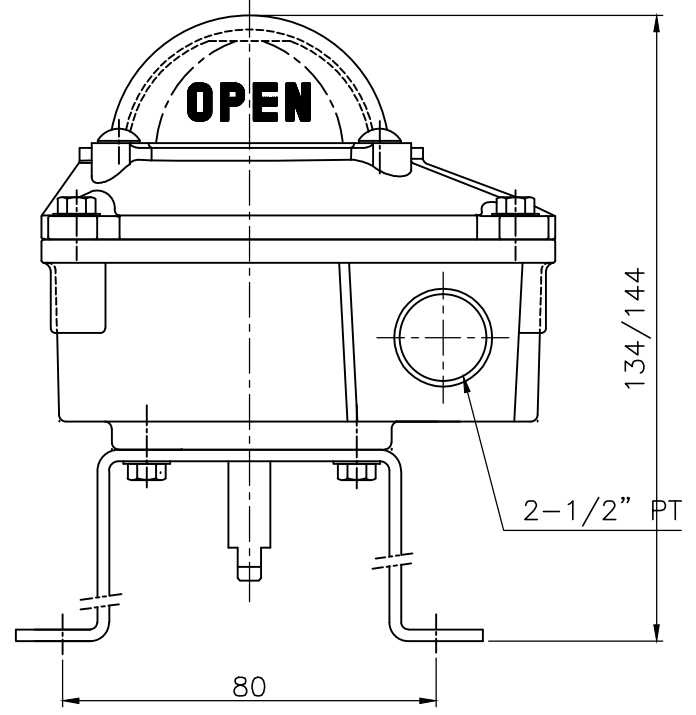
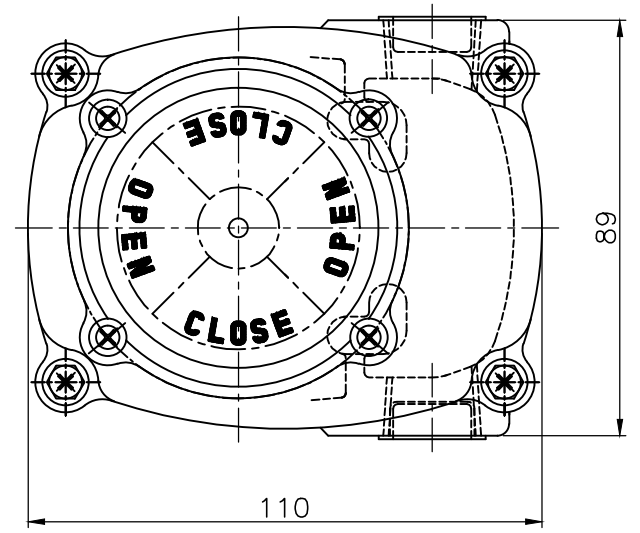


SYM	ECN NO	CHANGES	DATE	SIGN	APPR.
△					



ITS0100	1
APP'L FILE	

COMMERCIAL TOLERANCES		DATUMFACE & HOLE TOLERANCES		MACHINE CUT				i-tork CONTROLS		MATERIAL		PROJ.				
OVER	0.5 TO 6	±0.1	OVER 0 TO 50	±0.010	http://www.i-tork.com				DIMENSION	ISSU. DEPT.	HEAT TREAT.	SURF. TRET.				
6	30	±0.2	50	180	±0.015	DRAWN	DESIGN	CHECKED	APPROVER	mm	ITCDR	SCALE	DATE	SIZE	1	1
30	150	±0.3	180	360	±0.020		C,J,CHU			1 / 1	'05.06.07	A2				
150	315	±0.5	360 이상	±0.025	PART NAME				DWG NO		ITS0100-10000-B					
315	1000	±0.8			P.M.SWITCH LAY OUT											