

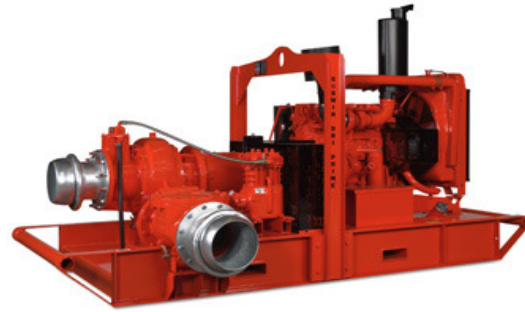
# CD300M Dri-Prime Pump

CD300M

The Godwin Dri-Prime CD300M pump offers flow rates to 5,988 USGPM and discharge heads to 178' (54m). Also it has the capability of handling solids up to 4" (95mm) in diameter.

The CD300M is able to prime to 28' (8.5 m) of suction lift from dry.

Indefinite dry-running is no problem due to the unique Godwin oil bath mechanical seal design. Solids handling, dry-running and portability make the CD300M the perfect choice for small dewatering and bypass applications. The standard model is mounted on a highway trailer, with a skid-mounted option.



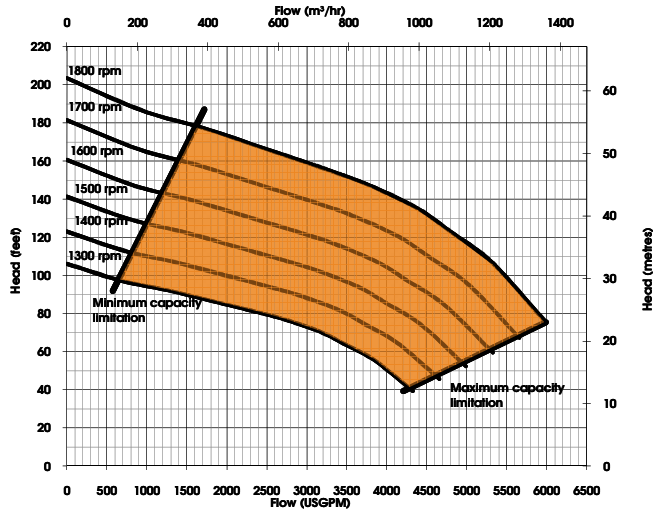
## Features

- Simple maintenance normally limited to checking fluid levels.
- Close-coupled centrifugal pump with vacuum priming compressor mounted to a diesel engine. Also available in electric drive or as bare shaft pumpend.
- Extensive application flexibility. It will handle sewage, slurries and liquids with solids up to 4" in diameter.
- Continuously operated Godwin venturi air ejector priming device requiring no form of periodic adjustment or control.
- Dry-running heavy duty mechanical seal with abrasion-resistant interfaces.
- Also available in a Critically Silenced unit which drastically reduce noise levels of the pump.
- Standard engine Caterpillar C9. Also available with John Deere 6090HFC94.
- The volute & suction cover are made from cast iron bs1452:1990 grade 220 and the impeller is made from cast steel bs3100 a5 hardness to 200 hb brinell.

## Specifications

Suction connection	12" 125# ANSI B16.1
Delivery connection	12" 125# ANSI B16.1
Max capacity	5988 USGPM
Max head	178' (54m)
Max solids handling	4" (95mm)
Max impeller diameter	14" (362mm)
Max operating temp	176°F (80°C)
Max working pressure	87.0 psi (6.0 bar)
Max suction pressure	58.0 psi (4.0 bar)
Max casing pressure	130.5 psi (9.0 bar)
Max operating speed	1800 rpm

## Performance Curve



## Materials

Pump casing & suction cover	Cast iron BS1452:1990 grade 220
Wearplates	High Chromium Cast iron HC403:1977 grade FR6252
Pump shaft	Nickel chrome steel to BS970 grade 817M40T
Impeller	Cast steel BS3100 A5 hardness to 200 HB Brinell
Non-return valve body	Cast iron
Mechanical seal faces	Double Mech seal; inboard SiC v SiC, Outboard SiC v Carbon

### Engine option 1

Caterpillar, C9, 299.9 HP @ 1800 rpm

Impeller diameter 14 " (362 mm)

#### Suction Lift Table

Total Suction Head (')	Total Delivery Head (')				
	61	99	132	141	156
	Output (USGPM)				
<b>9.8</b>	6076	5283	4121	3540	2589
<b>15.1</b>	5917	5019	3646	3064	2108
<b>20.0</b>	5283	4755	2906	2113	1057
<b>24.9</b>	4227	3963	2642	2113	-

Fuel capacity (Full) 250 US Gal, (Usable) 250 US Gal

Fuel consumption @ 1800 rpm BEP 12.0 US Gal/hr

Weight: (Dry) 10,247 lbs, (Wet) 12,249 lbs

Dimensions: (L) 160" x (W) 65" x (H) 76"

### Engine option 2

John Deere, 6090HFC94, 276.2 HP @ 1800 rpm

Impeller diameter 14 " (362 mm)

#### Suction Lift Table

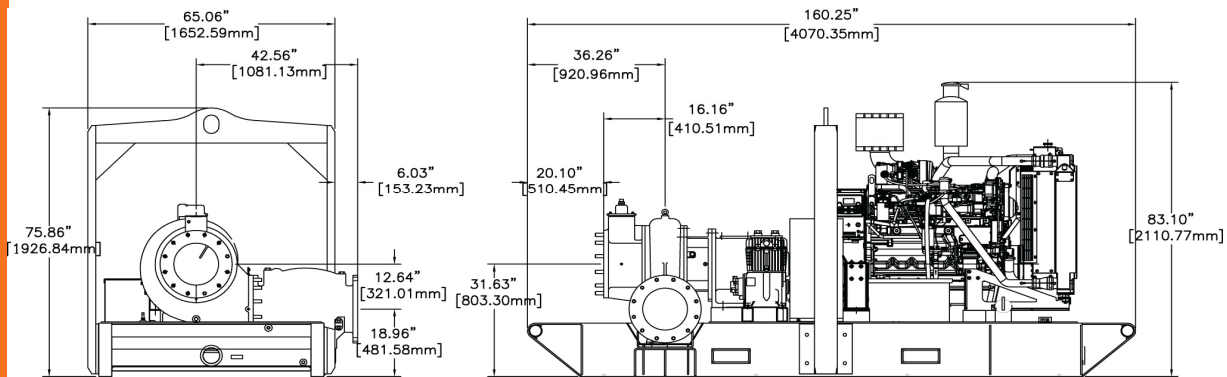
Total Suction Head (')	Total Delivery Head (')				
	61	99	132	141	156
	Output (USGPM)				
<b>9.8</b>	6076	5283	4121	3540	2589
<b>15.1</b>	5917	5019	3646	3064	2108
<b>20.0</b>	5283	4755	2906	2113	1057
<b>24.9</b>	4227	3963	2642	2113	-

Fuel capacity (Full) 250 US Gal, (Usable) 250 US Gal

Fuel consumption @ 1800 rpm BEP 0.0 US Gal/hr

Weight: (Dry) 8,574 lbs, (Wet) 10,619 lbs

Dimensions: (L) 160" x (W) 65" x (H) 76"



Performance data provided in tables is based on water tests at sea level and 68°F ambient.

All information is approximate and for general guidance only.

Please contact Godwin Pumps for further details.

Reference number : 95-1018-3000

Date of issue : August 25, 2011

Issue : 1



84 Floodgate Road | Bridgeport, NJ 08014 USA  
 P: (856) 467-3636 | F: (856) 467-4841  
 Sales@godwinpumps.com | godwinpumps.com