

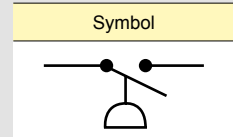
# HS series



HS-210



HS-306



## How to Order

HS - 210

①

②

### ① Series

HS	Pressure switch
----	-----------------

### ② Pressure range

203	-50cmHg~3kgf/cm <sup>2</sup>
206	-50cmHg~6kgf/cm <sup>2</sup>
210	1~10kgf/cm <sup>2</sup>
220	5~20kgf/cm <sup>2</sup>
230	5~30kgf/cm <sup>2</sup>
306	Low:-50cmHg ~6kgf/cm <sup>2</sup> High: 8 ~ 30kgf/cm <sup>2</sup>
306M	
606	
606M	
	2contact point, Common connection M:Manual reset
	2contact point M:Manual reset

## Specifications

Model	Pressure range (kgf/cm <sup>2</sup> )		Differential pressure (kgf/cm <sup>2</sup> )		Factory setting		Max. proof pressure (kgf/cm <sup>2</sup> )	Fluid	Ambient & fluid temperature	Weight (kg)
	Min.	Max.	Min.	Max.	ON	OFF				
HS-203	-50cmHg	3	0.35	2	0.5	1.5	11	Non-corrosive fluid, Air, Fluid, Inert gas, Steam	-10℃~ 120℃	0.42
HS-206	-50cmHg	6	0.6	4	2	3	16.5			
HS-210	1	10	1	3	4	6	16.5			
HS-220	5	20	3	5	12	15	40			
HS-230	5	30	3	10	20	25	40			
HS-306	LOW SIDE	-50cmHg	6	0.6	4	3	2			16.5
	HIGH SIDE	8	30	Approx. 4 setting value		16	20			40
HS-306M	LOW SIDE	-50cmHg	6	0.6	4	2	2			16.5
	HIGH SIDE	8	30	Manual reset		Manual reset	20			40
HS-606	LOW SIDE	-50cmHg	6	0.6	4	3	2			16.5
	HIGH SIDE	8	30	Approx. 4 setting value		16	20	40		
HS-606M	LOW SIDE	-50cmHg	6	0.6	4	3	2	16.5		
	HIGH SIDE	8	30	Manual reset		Manual reset	20	40		

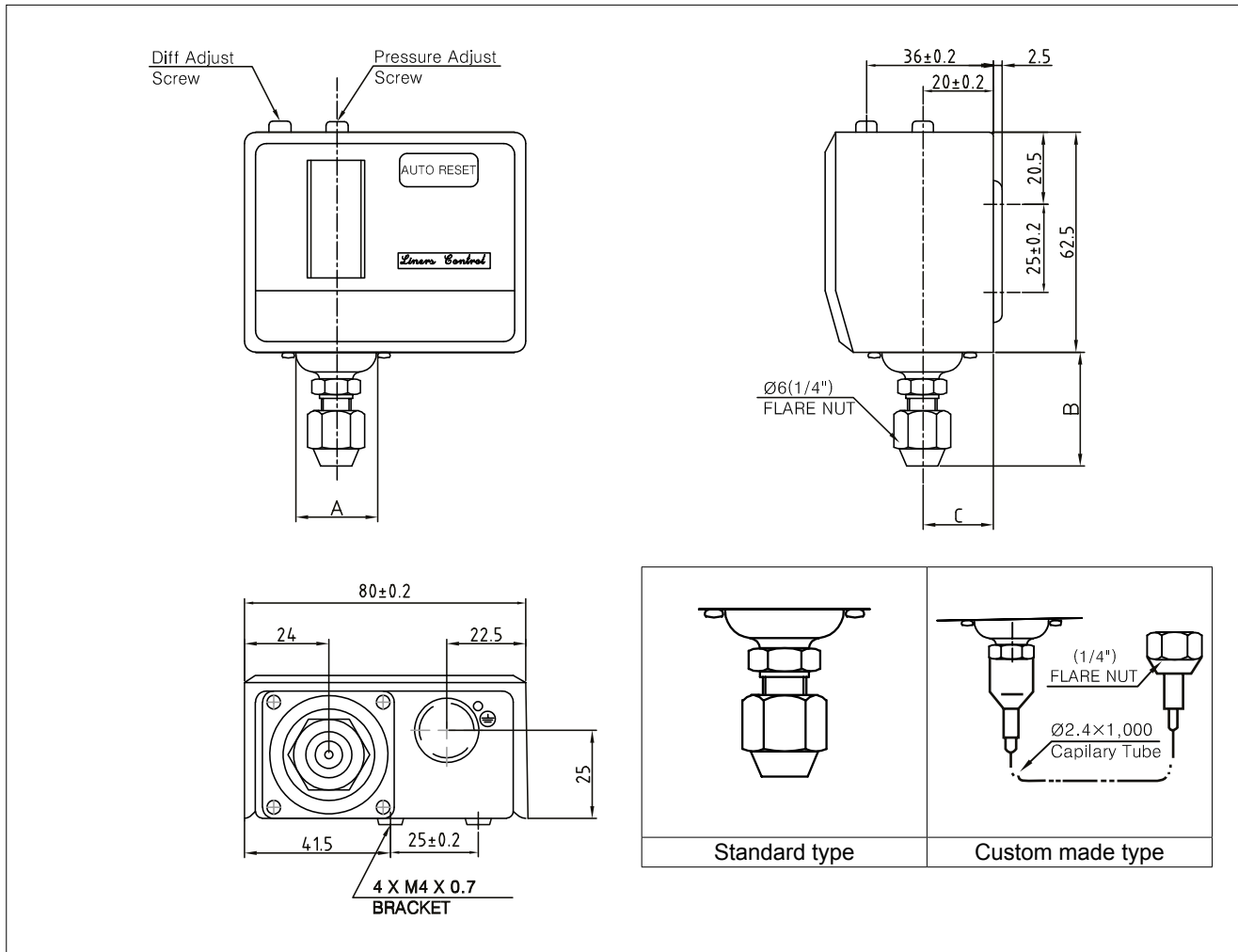
## Rated Voltage

Rated voltage		Power factor (COS Ø)	125/250V AC
Rated current(A)			
Non-inductive current		1	12
Inductive current	Total load	0.75	12
	Locked Rotor	0.45	72

## Features

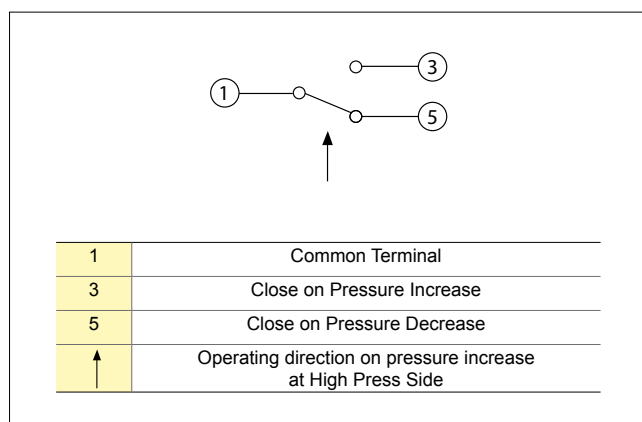
- Air, water, and inert medium
- Mounting bracket is included.
- Micro-switches ensures a reliable conversion.

**Dimensions-Single**



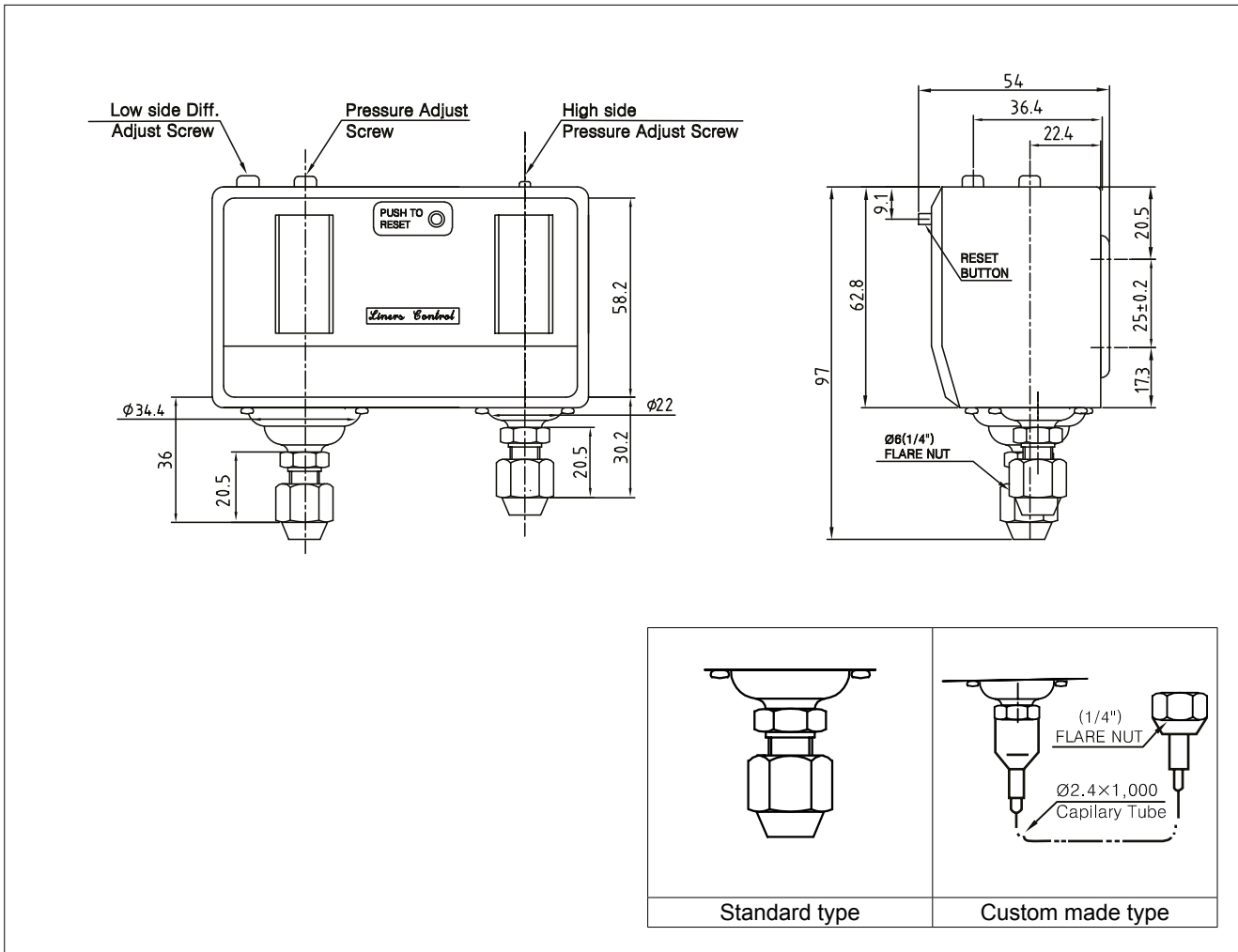
Model	A	B	C
HS-203	38.5	38.9	22.4
HS-206			
HS-210	34.4	36	22.4
HS-220			
HS-230	22	32.7	18.5

**Wiring Method**



Others
Auto Switch Reference data
Auto Switch
FS
HS
KTD-600
KTD-1000
KDPC
Rotary Joint Reference Data
DR1000
DR2000
DR3000
DR3700
DR5000
DR6000
SRJ
KPF
KSM
KABL
SB
KPV
KVT
KPP

**Dimensions - Dual**



**Wiring Method**

