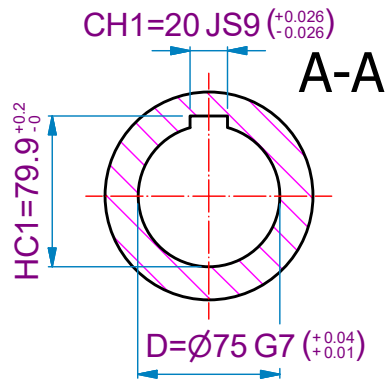
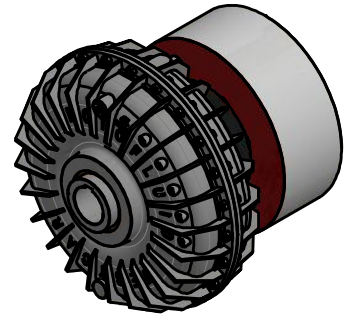
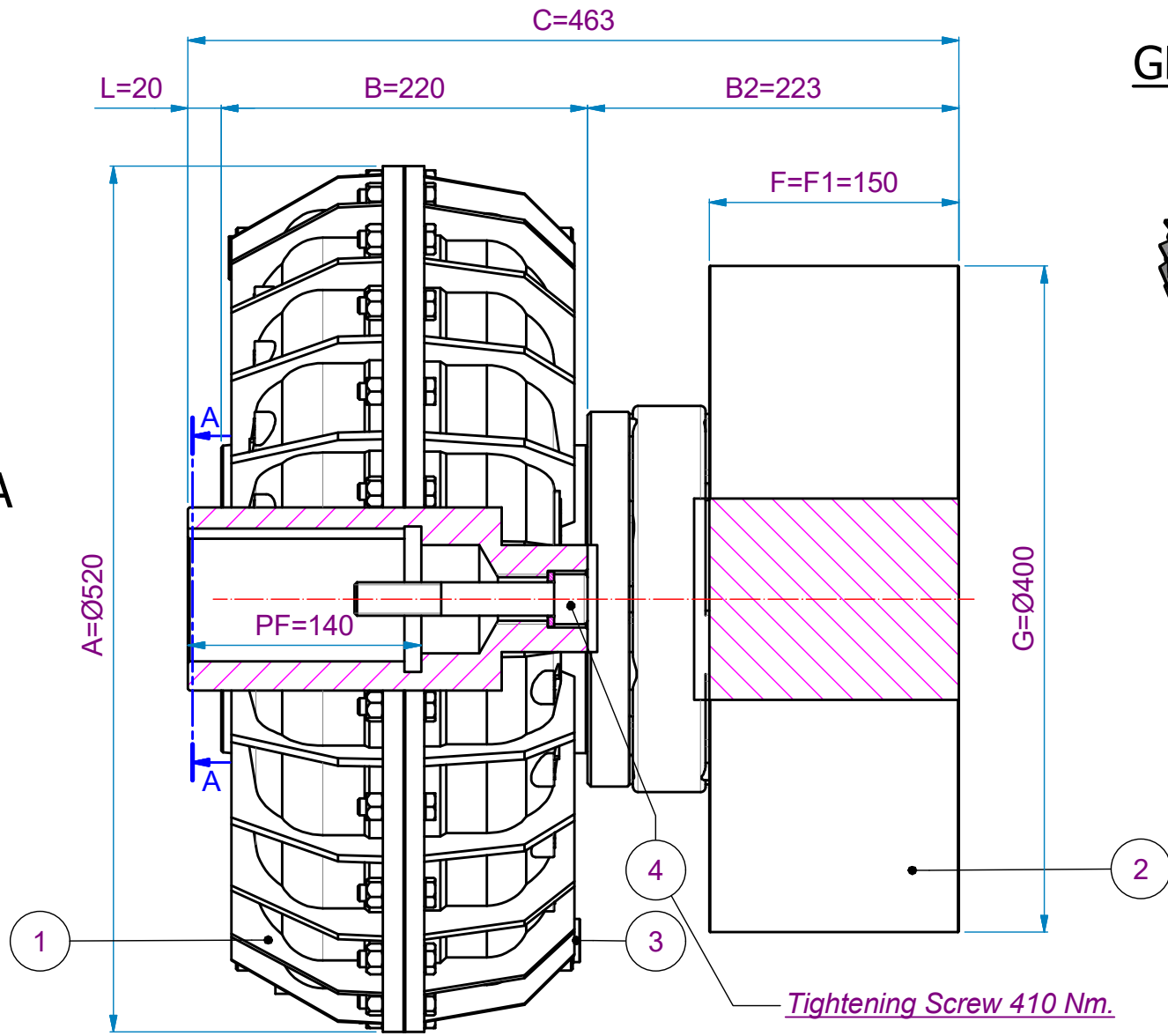
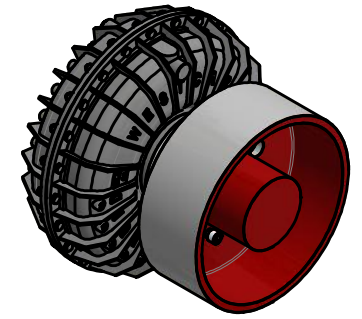


# MOTOR SIDE



# GEARBOX SIDE



*Tightening Screw 410 Nm.*

## ROTOFLUID COUPLING ALFA 65 K2 D=75 WITH BRAKE DRUM FRD7 400x150 P=00

Weight / Peso Kg  
**128.4**

4	1	--	Tightening Screw M20x120 - M30
3	1	1333	Fusible Plug 1/2" Gas 145° Red
2	1	--	Rotoflexi Coupling FRD7 400x150 P=00
1	1	--	Rotofluid Coupling Alfa 65 K2 D=75



Designer <b>E. Bonomi</b>	Customer / Cliente --			Quotation / Costo --
Date / Data <b>01/04/2019</b>	Sheet / Foglio <b>20-6412</b>	Variant / Rev <b>00</b>	Scale / Scala <b>1:3</b>	Internal Ref. / Rif. Int. --

Pos.	Q.ty	Code	Description
------	------	------	-------------