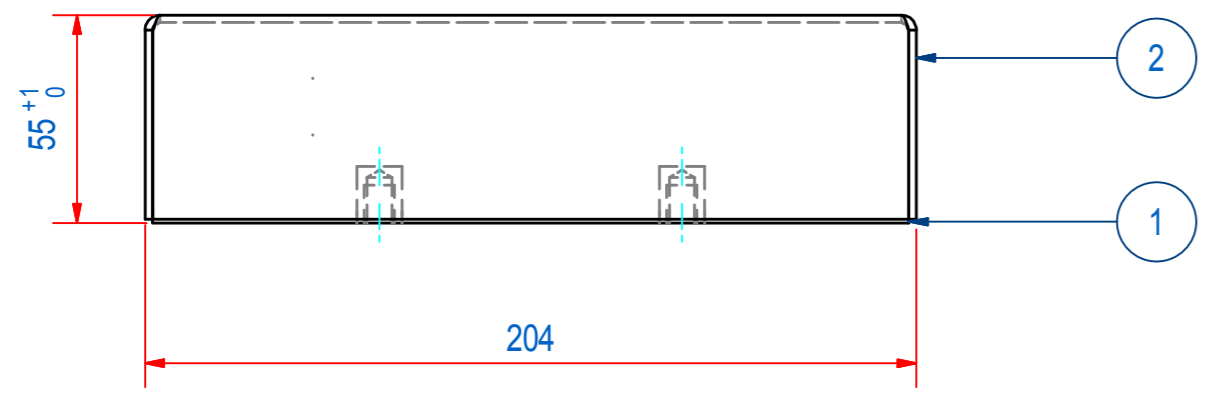
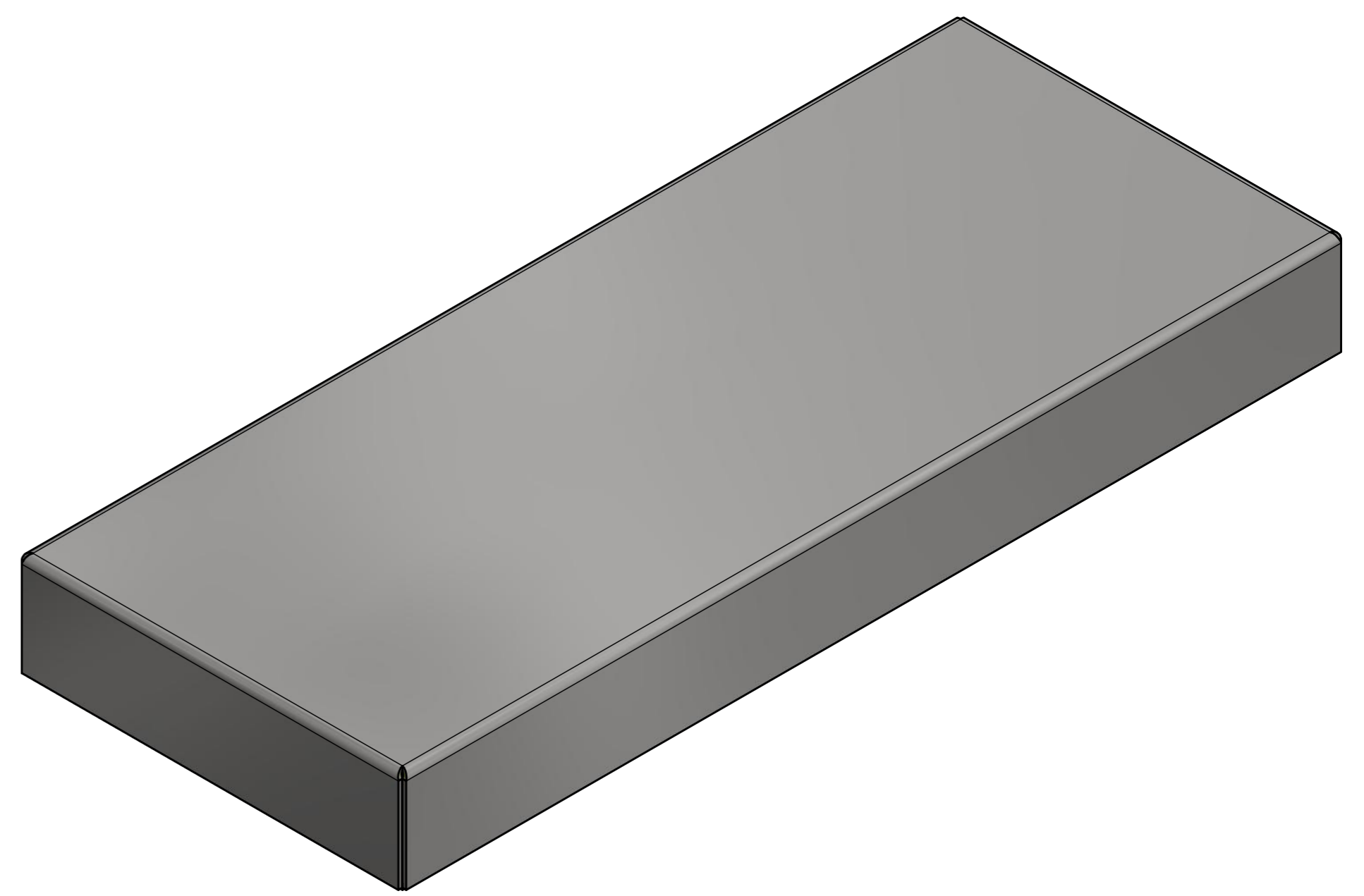
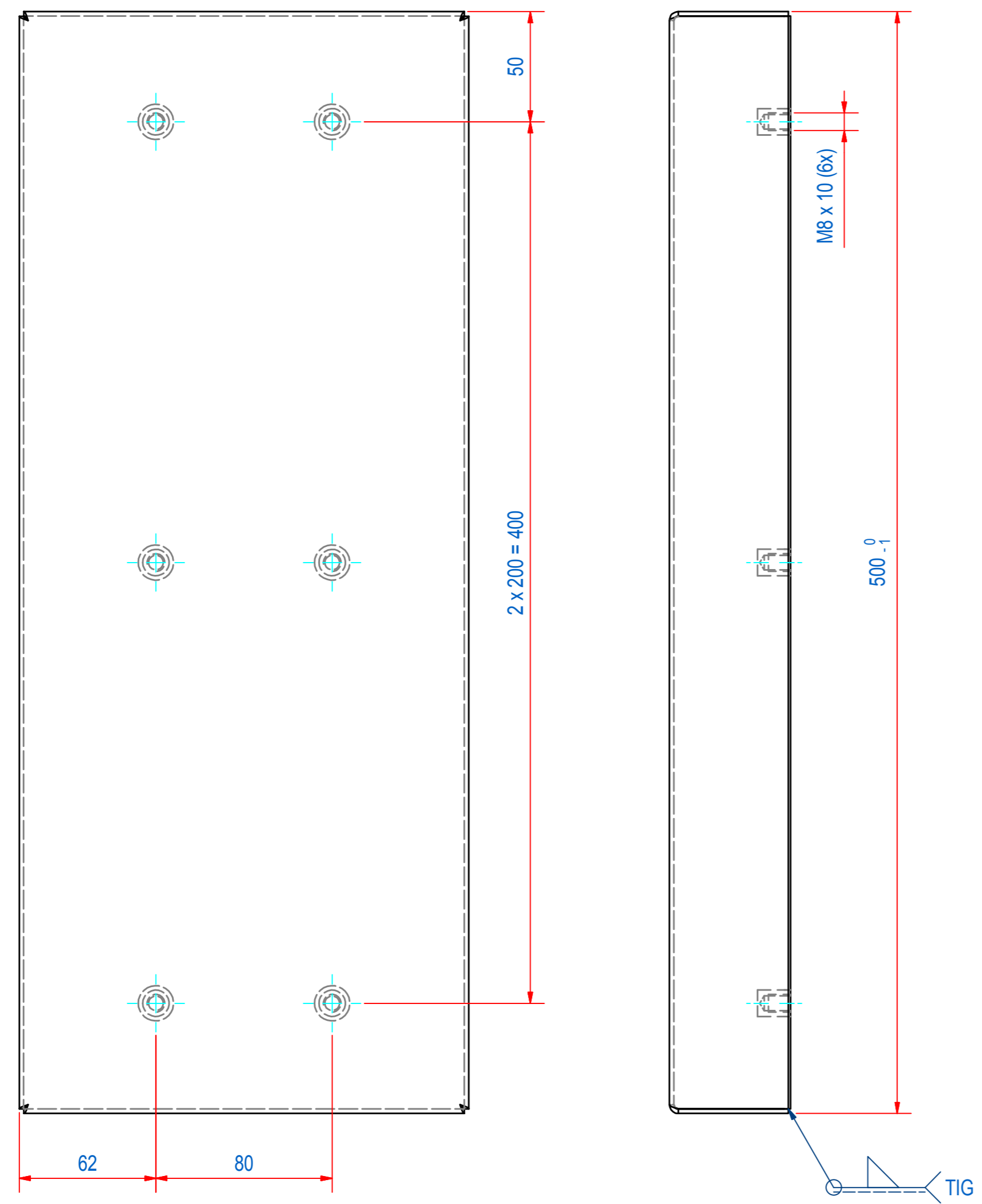


REV	DATE	BY	DESCRIPTION
-	17-1-2014	CR	NEW REVISION VAULT, NOTHING CHANGED, OLD REV WAS B
A	11-2-2014	CR	TOLERANCE ADDED
B	25-8-2014	BS	TOLERANCE HEIGH 55 CHANGED



ITEM	QTY	PART NUMBER	DESCRIPTION	Dimensions
2	1	S250170	COVER PLATE MAGNET VMN02-500	
1	1	M60471	ASSY PLATE MAGNET VMN02-500	
RAW MAT.	1			LENGTH (mm) WIDTH (mm)
Sheet: A2		Extra info: Plate magnet		General tolerance: ISO 2768- mK
Drawn: CR		Weight (kg): 32,6		Drawn according: ISO268; ISO1101; ISO2553
Date: 17-1-2014				Status: Standard
Spare part: False				Customer reference number:
Quick search: SVMN-500		© All rights reserved. Reproduction is not permitted without written permission of GOUDSMIT Magnetic Systems BV		File number: E0081112 Rev: B
Description: SVM-N-204x55-0500-B-F1M		Part number: SVMN020500		Rev: A