

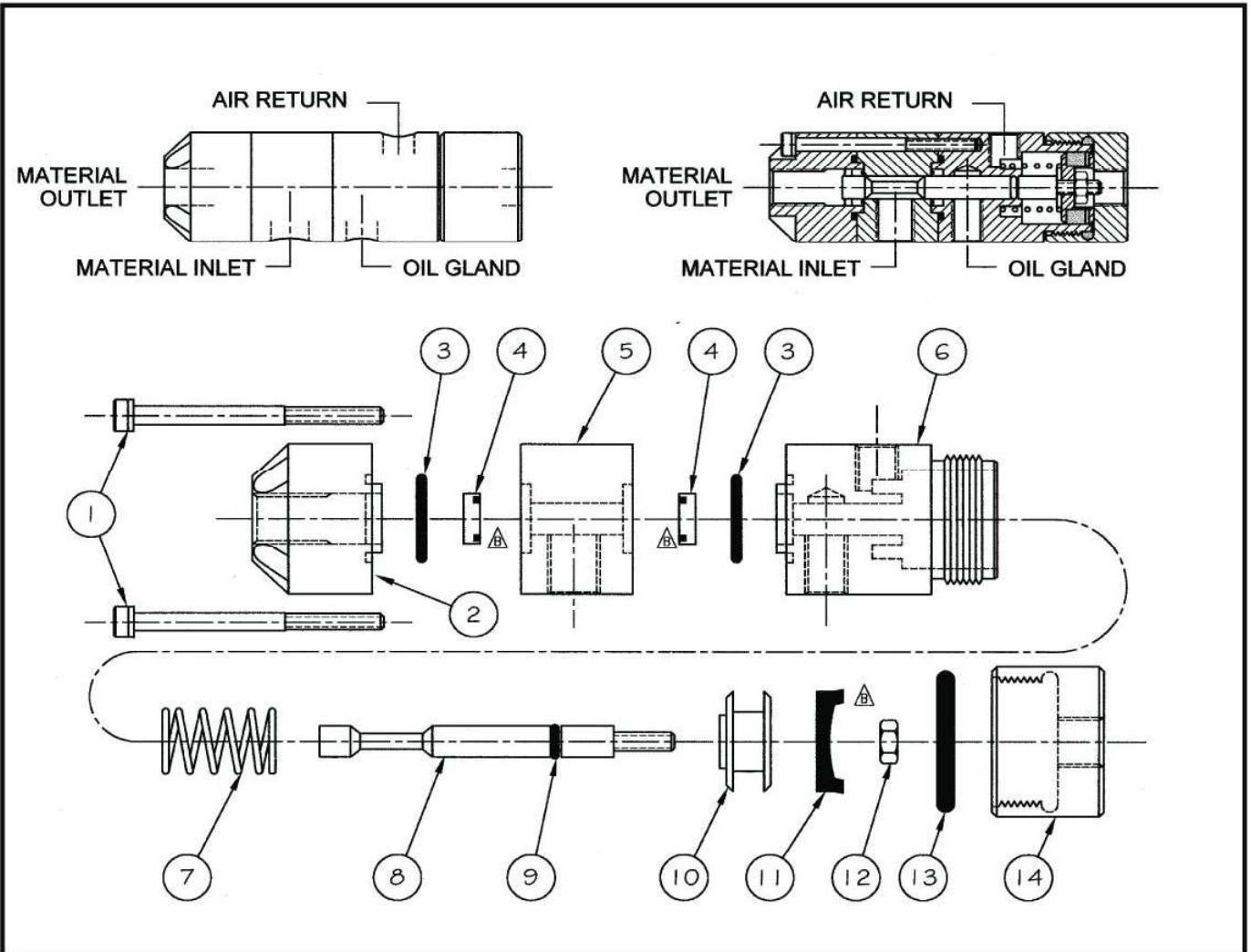


15 Corporate Drive, Suite E - Wayne - NJ 07470
 Tel: (973) 646-5044 E-mail: info@fisnar.com
 www.fisnar.com

P/N 56192SS1LF
 REV. A Nov. '10

©2010 FISNAR INC.

PRODUCT DESCRIPTION **790HPSS-LF HIGH PRESSURE DISPENSING VALVE**



8	580006-LF	VALVE SPOOL	1	3, 4, 8, 9, 11, 13,	580017-LF	REPAIR KIT	1
7	580013-LF	SPRING	1	3, 4, 9, 11, 13,	580018-LF	REPAIR KIT	1
6	580005SS-LF	CYLINDER	1	14	580004-LF	END CAP	1
5	580007SS-LF	MATERIAL INLET BLOCK	1	13	580015-LF	O-RING	1
4	580010-LF	SEAL	2	12	580016-LF	LOCKNUT	1
3	580011-LF	O-RING	2	11	580014-LF	U-CUP SEAL	1
2	580008SS-LF	MATERIAL OUTLET BLOCK	1	10	580003-LF	PISTON	1
1	580009-LF	S.H.C.S.	4	9	580012-LF	O-RING	1
NO.	PART NUMBER	DESCRIPTION	QTY.	NO.	PART NUMBER	DESCRIPTION	QTY.