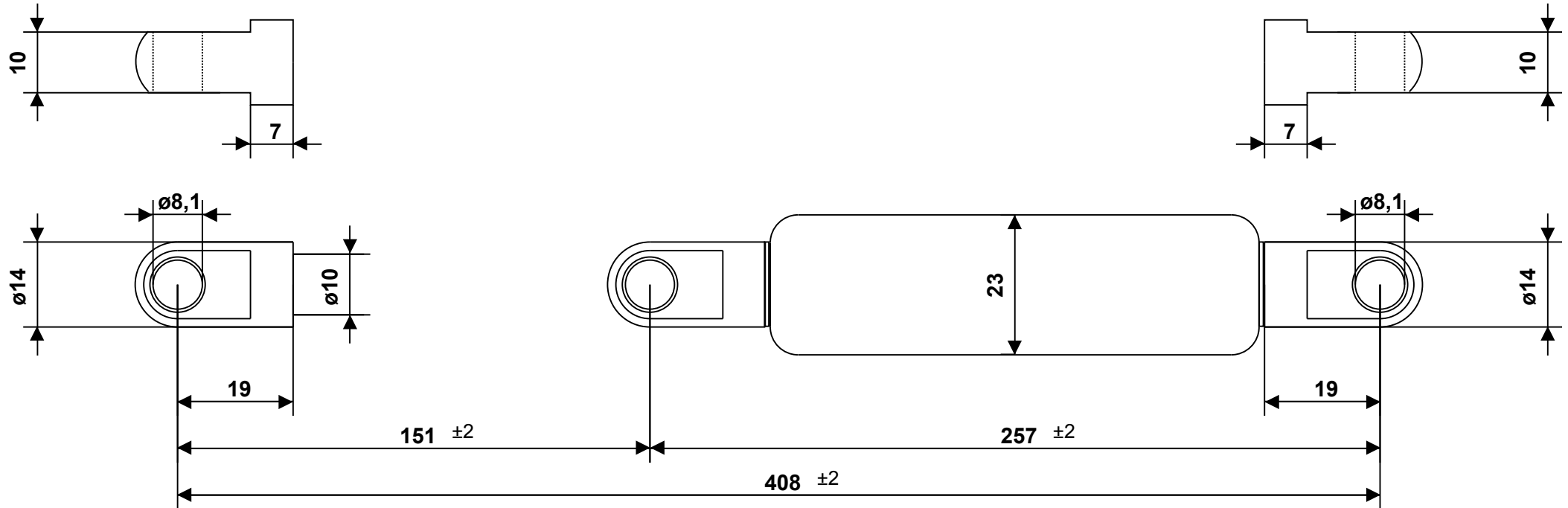


**Hahn Part Number: G10-23ST#32204**  
**G 10 23 0150 1 0408 AU19 AU19 00800N**



Intended for internal use and customer / Tolerance of ext. length: +/- 2mm - Dimensions without tolerance: per DIN ISO 2768-1 -c (ISO 2768 -c) - For Information Only  
 Force tolerance: F1 >= 1000N: +/- 5%; < 1000N: +/- 10%, min.: +/- 10N, max.: +/- 50N - Unregistered Copy, Print-out or file not subject to modification service.  
 End fitting orientation is random and not represented by drawing unless specified - Observe disposal instructions - Not true to scale



Please note our technical instructions

Assembly/storing with piston rod down

No opening-no heating-high pressure

19. Aug 2021

Auto-Printservice

Made in Germany	Part	Dimension	Material / Surface	Fitting	Progr.:31,10 %
Drawing owned by Hahn Gasfedern GmbH	Piston rod	Ø10mm	steel, chrome plated	AU19 M8 Ø8.1 t=10 * ANS/M08/AUG/001	
info@hahn-gasfedern.de	Cylinder	Ø23mm	Stahl,black	AU19 M8 Ø8.1 t=10 * ANS/M08/AUG/001	
www.hahn-gasfedern.de				Configuration ID : 10150275-	