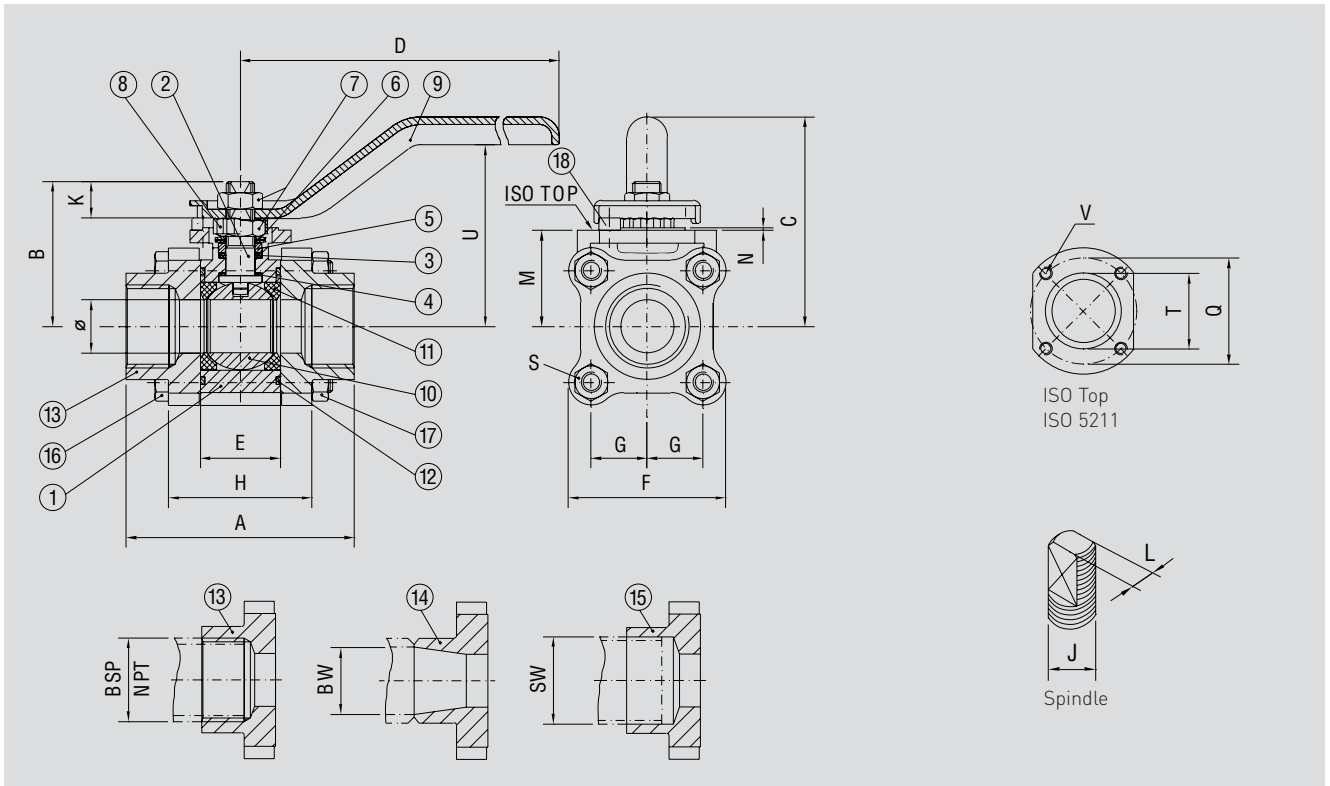


## Reduced bore DN 15-50 (1/2" - 2")



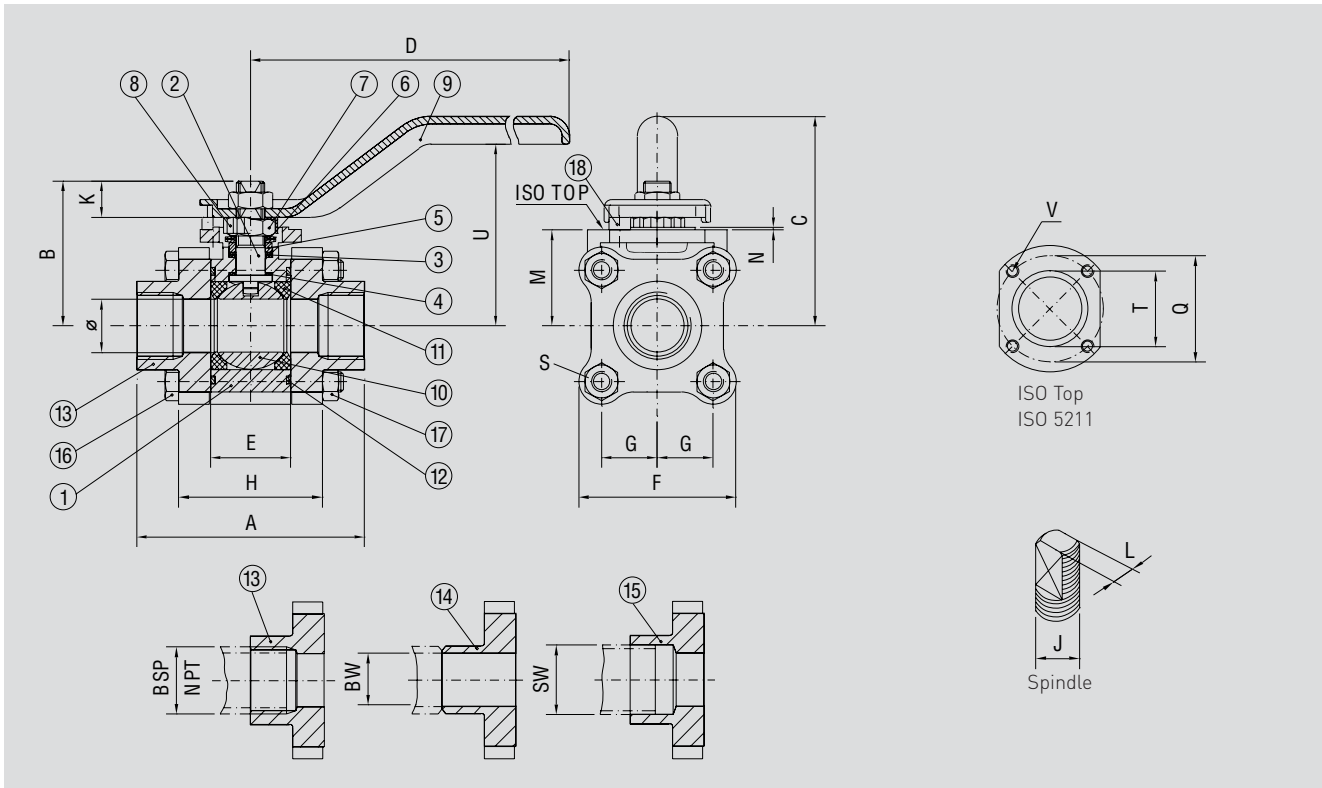
With encapsulated bolts  
and ISO mounting flange

## Reduced bore DN 15-50 (1/2" - 2")

<b>DN</b>	15	20	25	32	40	50
<b>SIZE</b>	1/2"	3/4"	1"	1 1/4"	1 1/2"	2"
<b>BW</b>	15.8	21	26.6	35.1	41	52.5
<b>SW</b>	22	27.5	34.5	43	49	61.5
<b>Ø</b>	11	14	21	25	32	38
<b>A</b>	66	76	90	105	115	130
<b>B</b>	36	42	56	60	71	76
<b>C</b>	62	65	82	81	101	106
<b>D</b>	150	150	175	175	200	200
<b>E</b>	20.6	24.6	31.7	41.3	48.4	56.3
<b>F</b>	45	51	62	68	77	87
<b>G</b>	16	19	22	25	29	33
<b>H</b>	40	46	57	67	76	86
<b>J UNF</b>	3/8"	3/8"	7/16"	7/16"	9/16"	9/16"
<b>K</b>	9	12	14	14	16	16
<b>L</b>	5.5	5.5	7.5	7.5	9	9
<b>M</b>	27	32	38	35	41	46
<b>N</b>	1	1	1	2	2	2
<b>Q</b>	42	42	42	42	50	50
<b>S</b>	M6x45	M6x55	M8x65	M8x75	M10x90	M10x100
<b>T</b>	30	30	30	30	35	35
<b>U</b>	51	54	71	70	86	91
<b>V</b>	M5	M5	M5	M5	M6	M6
<b>ISO TOP</b>	F04	F04	F04	F04	F05	F05
<b>kg</b>	0.6	0.8	1.5	2.2	3	4



## Full bore DN 8-40 (1/4" - 1 1/2")



Materials		
	15i44	15i66
1 Body	1.0432N	1.4401
2 Valve stem	1.4435	1.4435
3 Stem seal	PTFE-carbon	PTFE-carbon
4 Thrust washer	PTFE-carbon	PTFE-carbon
5 Thrust collar	1.4305	1.4305
6 Plate spring	1.4310	1.4310
7 Handle nut	1.4305	1.4305
8 Retaining cap	1.4301	1.4301
9 Hand lever	1.4408	1.4408
10 Ball	1.4401	1.4401
11 Seat	PTFE-glass	PTFE-glass
12 Body seal	PTFE-glass	PTFE-glass
13 Threaded connection**	1.0432N	1.4404
14 Butt weld connection**	1.0432N	1.4404
15 Socket weld connect.**	1.0432N	1.4404
16 Body bolt	8.8 galv.	A2-70
17 Body nut	8.8 galv.	A2
18 Bolt	8.8 galv.	A2-70

\*\* Series 1566 - 1.4404

Full bore DN 8-40 (1/4" - 1 1/2")							
DN	8	10	15	20	25	32	40
SIZE	1/4"	3/8"	1/2"	3/4"	1"	1 1/4"	1 1/2"
BW	9.2	12.5	15.8	21	26.6	35.1	41
SW	14	18	22	27.5	34.5	43	49
Ø	11	11	14	21	25	32	38
A	66	66	76	90	105	115	130
B	36	36	42	56	60	71	76
C	62	62	65	82	81	101	106
D	150	150	150	175	175	200	200
E	20.6	20.6	24.6	31.7	41.3	48.4	56.3
F	45	45	51	62	68	77	87
G	16	16	19	22	25	29	33
H	40	40	46	57	67	76	86
J UNF	3/8"	3/8"	3/8"	7/16"	7/16"	9/16"	9/16"
K	9	9	12	14	14	16	16
L	5.5	5.5	5.5	7.5	7.5	9	9
M	27	27	32	38	35	41	46
N	1	1	1	1	2	2	2
Q	42	42	42	42	42	50	50
S	M6x45	M6x47	M6x55	M8x65	M8x75	M10x90	M10x100
T	30	30	30	30	30	35	35
U	51	51	54	71	70	86	91
V	M5	M5	M5	M5	M5	M6	M6
ISO TOP	F04	F04	F04	F04	F04	F05	F05
kg	0.6	0.6	0.8	1.5	2.2	3	4