

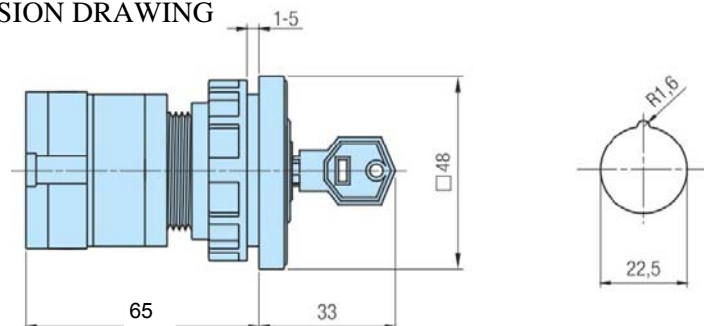
1. RATED DATA

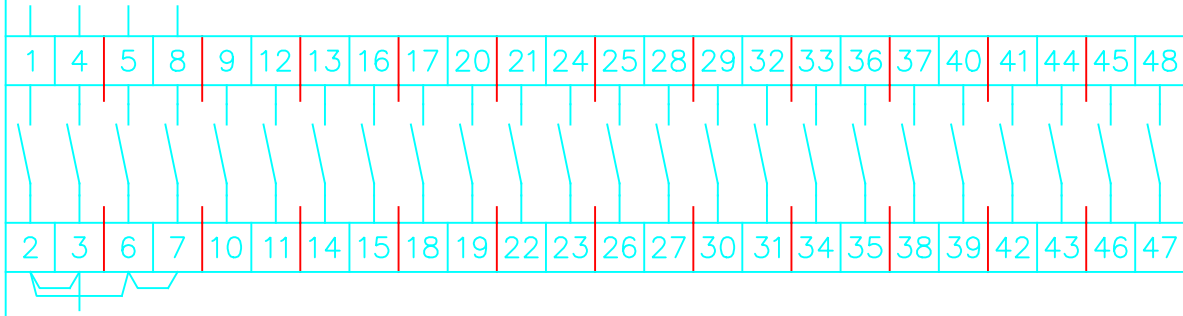
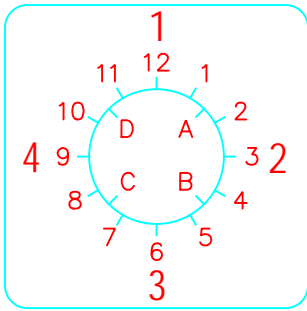
Type, diagram No. and mounting form (KONCAR)	GN25-9431-U29
Customer	Impexron GMBH
Mounting form	Front mounting "U"
Rated insulation voltage	Ui 690V AC
Rated thermal current	Ith 25A
Rated operational current	Ie 25A
	AC1, AC21 690V
	AC15 230V
Rated operational current	Ie 12A
Motor switch in utilization category	AC3 3x400V
Rated short time withstand current 1sec	Icw 400 A
DC rating	4 A/110V resistive load (1ms)
	1,5 A /110V inductive load (50 ms)
Mounting size	A0 (48x48mm)
Switch fixing	central mounting Ø 22
Turning angle	90 deg
No. of control position	4 (1, 2, 3,4)
Contact Units	2
Contact unit material	PA6 – Ultramid B3UG4 - BASF
Switch weight	0,13kg
Comply with standards:	IEC 60947-1, 3; DIN EN 61058; UL 508; C22.2 No.14

2. ROUTINE TEST DATA

- Mechanical test carried out with	5 cycles
- Voltage test	2,8 kV, 50Hz, 1s
- Connection diagram test	per one piece

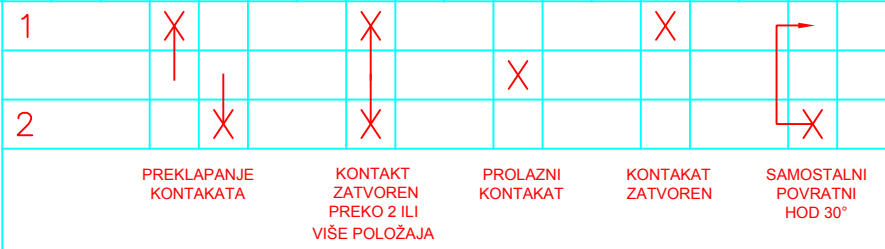
3. SWITCHING DIAGRAM / DIMENSION DRAWING





oznaka položaja poz.

oznaka položaja	poz.	1	2	3	4	5	6	7	8	9	10	11	12	13	14	15	16	17	18	19	20	21	22	23	24	25	26	27	28	29	30	31	32	33	34	35	36	37	38	39	40	41	42	43	44	45	46	47	48			
	7																																																			
C	8																																																			
4	9									X																																										
	10																																																			
D	11																																																			
1	12	X																																																		
	1																																																			
A	2																																																			
2	3									X																																										
	4																																																			
B	5																																																			
3	6									X																																										



Tipna oznaka : **GN25-9431-U29**

Datum : 17.03.2019. Shema spoja :

Izradio : ing. Majcan **9431**