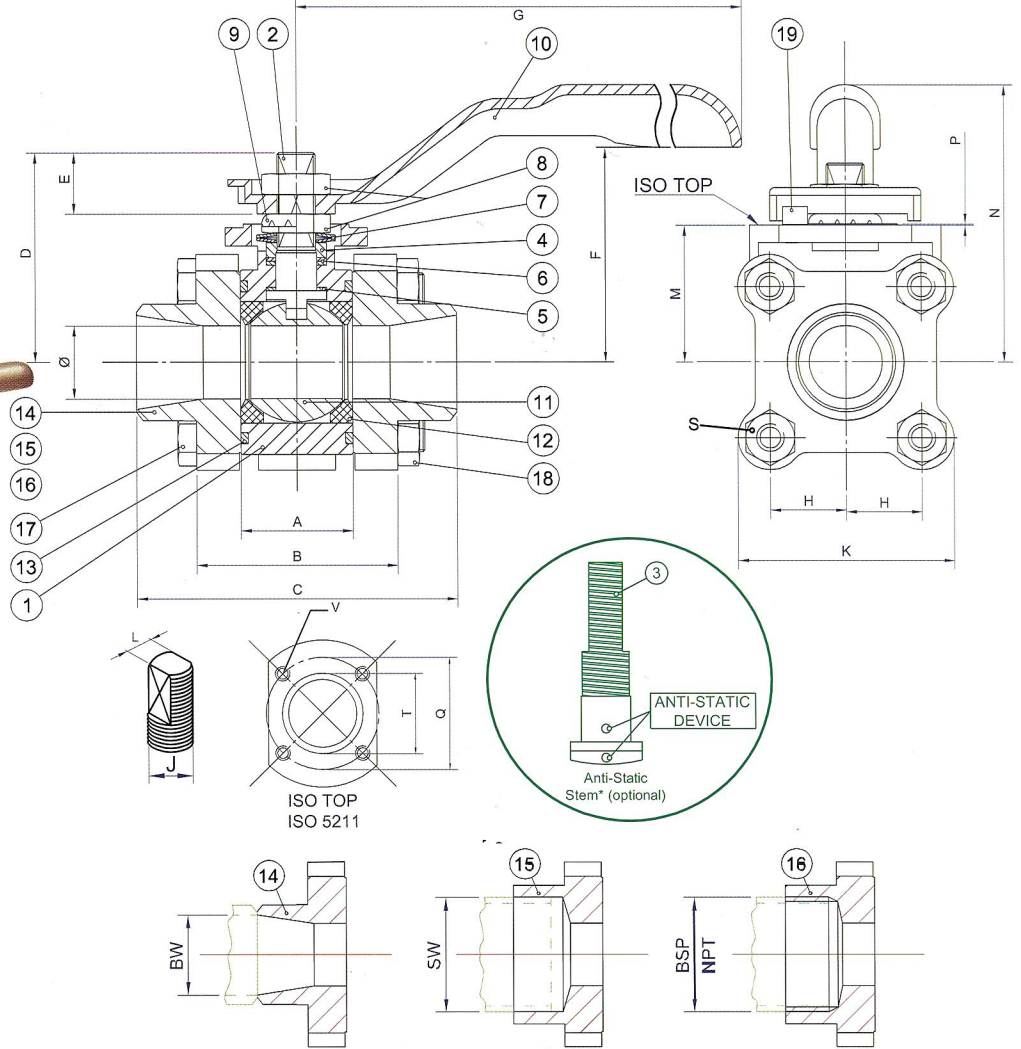
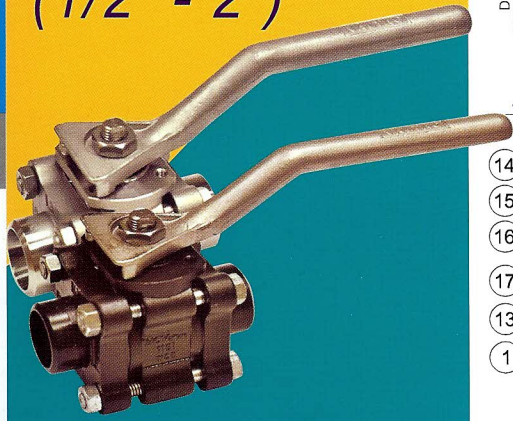


Reduce Bore DN15 - DN50 (1/2" - 2")

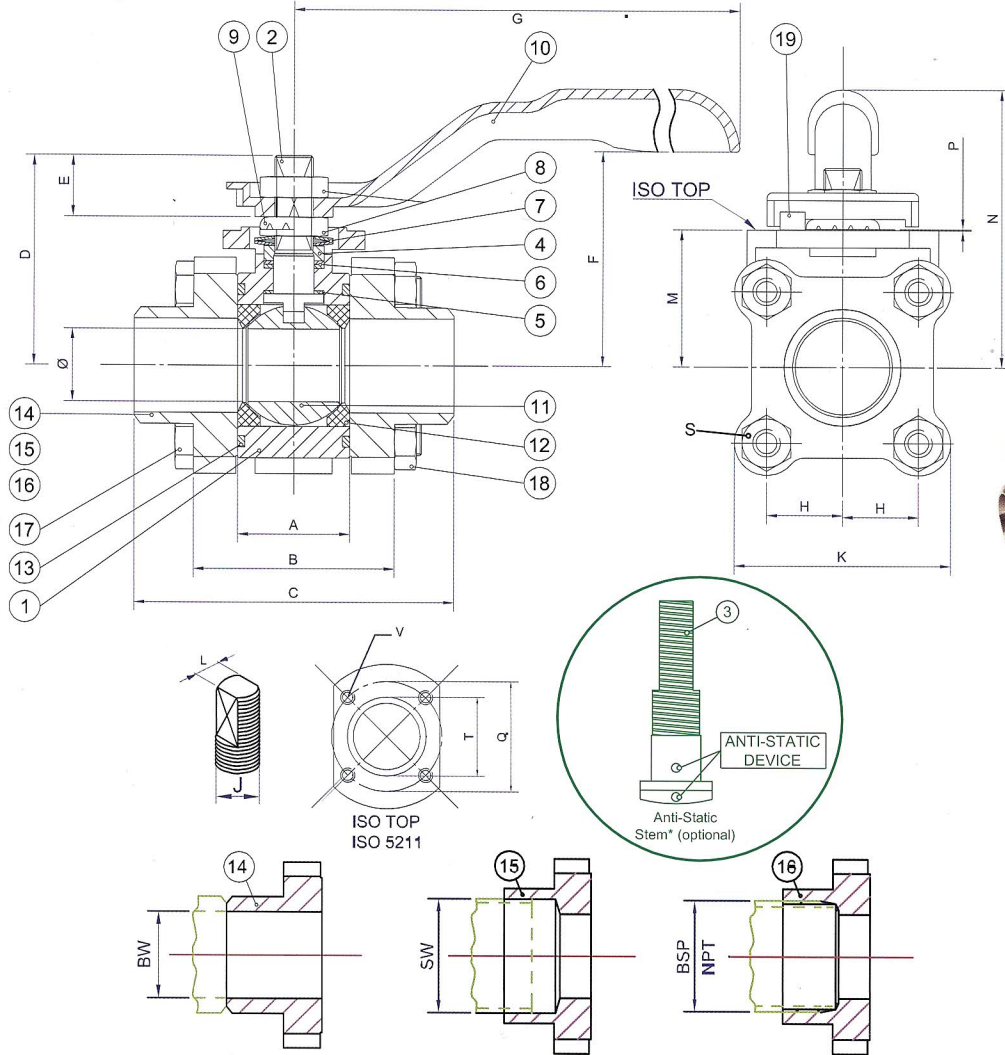


BALL VALVE PN100 116iRB

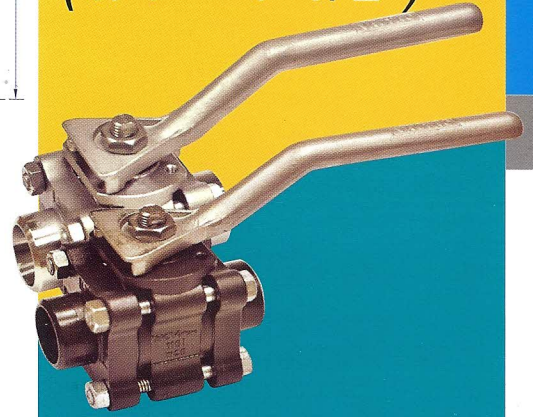
MATERIALS	116i4	116i6
1 BODY	A216WCB	CF8M
2 STEM	SS316L	SS316L
3 ANTI-STATIC STEM (Optional)	SS316L	SS316L
4 STEM SEAL	Carbonfilled PTFE	Carbonfilled PTFE
5 THRUST WASHER	Carbonfilled PTFE	Carbonfilled PTFE
6 GLAND RING	SS303	SS303
7 BELLEVILLE WASHER	SS301	SS301
8 HANDLE NUT	SS304	SS304
9 LOCK CAP	SS304	SS304
10 HANDLE	SS304	SS304
11 BALL	1.4401	1.4401
12 SEAT**	RPTFE or CPTFE	RPTFE or CPTFE
13 BODY SEAL	RPTFE	RPTFE
14 BUTT WELD CONNECTION	A216WCB	SS316L
15 SOCKET WELD CONNECTION	A216WCB	SS316L
16 THREADED CONNECTION	A216WCB	SS316
17 BODY BOLT	GS 8.8 galv.	A2-70
18 BODY NUT	GS 8.8 galv.	A2-70
19 STOPPER NUT	SS304	SS304

*Optional part
**Also available in TFM, Delrin, Peek, TFM Carbongraphite

REDUCED BORE DN15-DN50 (1/2" - 2")	15	20	25	32	40	50
DN	15	20	25	32	40	50
SIZE	1/2"	3/4"	1"	1 1/4"	1 1/2"	2"
BW	15.8	21	26.6	35.1	41	52.5
SW	22	27.5	34.5	43	49	61.5
Ø	11	14	21	25	32	38
A	20.6	24.6	31.7	41.3	48.4	56.3
B	40	46	57	67	76	86
C	66	76	90	105	115	130
D	36	42	56	60	71	76
E	9	12	14	14	16	16
F	48	51	68	67	83	88
G	150	150	175	175	200	200
H	16	19	22	25	29	33
J UNF	3/8"	3/8"	7/16"	7/16"	9/16"	9/16"
K	45	51	62	68	77	87
L	5.5	5.5	7.5	7.5	9	9
M	27	32	38	35	41	46
N	66	69	86	85	105	110
P	1	1	1	2	2	2
Q	42	42	42	42	50	50
S	M6 x 45	M6 x 55	M8 x 65	M8 x 75	M10 x 90	M10 x 100
T	30	30	30	30	35	35
V	M5	M5	M5	M5	M6	M6
ISO TOP	F04	F04	F04	F04	F05	F05
KG	0.6	0.8	1.5	2.2	3.4	4.2



Full Bore
DN8- 40
(1/4" - 1-1/2")



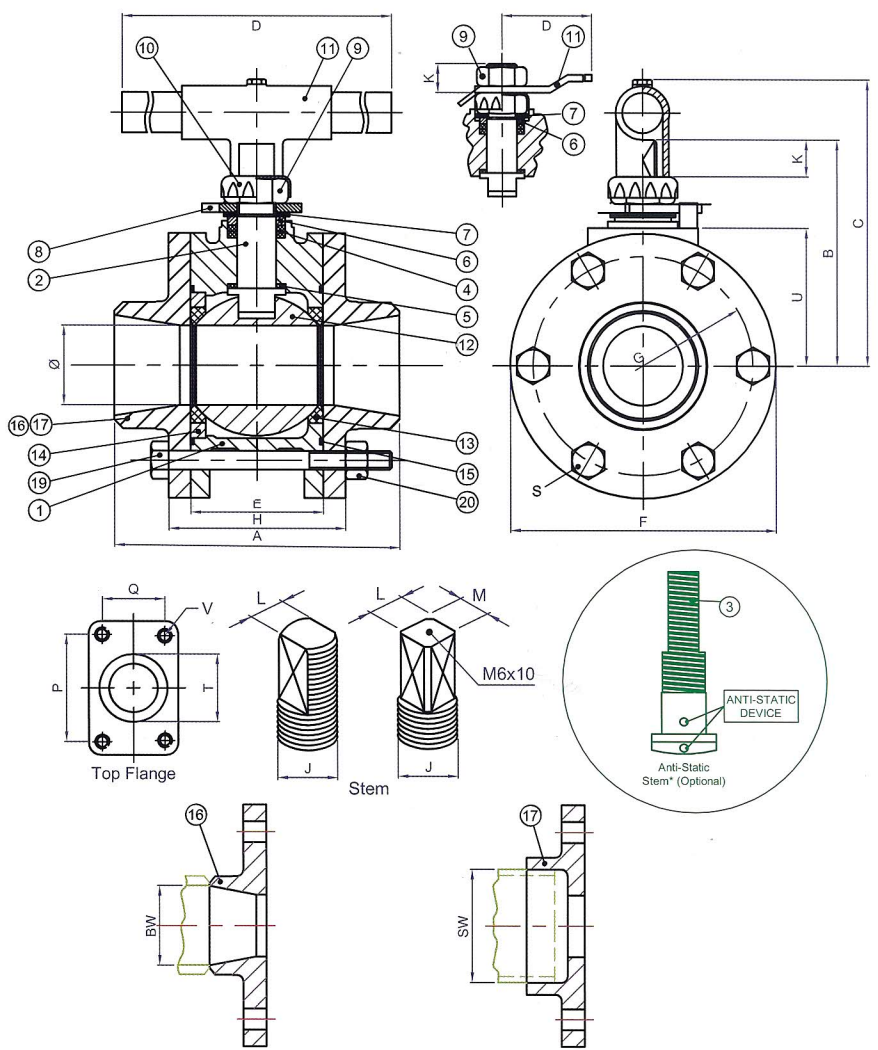
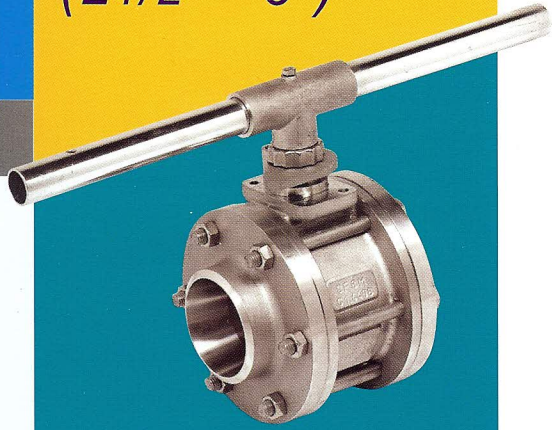
BALL VALVE
PN100
116iFB

MATERIALS	116i4	116i6
1 BODY	A216WCB	CF8M
2 STEM	SS316L	SS316L
3 ANTI-STATIC STEM (Optional)	SS316L	SS316L
4 STEM SEAL	Carbonfilled PTFE	Carbonfilled PTFE
5 THRUST WASHER	Carbonfilled PTFE	Carbonfilled PTFE
6 GLAND RING	SS303	SS303
7 BELLEVILLE WASHER	SS301	SS301
8 HANDLE NUT	SS304	SS304
9 LOCK CAP	SS304	SS304
10 HANDLE	SS304	SS304
11 BALL	1.4401	1.4401
12 SEAT**	RPTFE or CPTFE	RPTFE or CPTFE
13 BODY SEAL	RPTFE	RPTFE
14 BUTT WELD CONNECTION	A216WCB	SS316L
15 SOCKET WELD CONNECTION	A216WCB	SS316L
16 THREADED CONNECTION	A216WCB	SS316
17 BODY BOLT	GS 8.8 galv.	A2-70
18 BODY NUT	GS 8.8 galv.	A2-70
19 STOPPER NUT	SS304	SS304

**Also available in TFM, Delrin, Peek, TFM Carbongraphite

FULL BORE DN8-DN40 (1/4" - 1 1/2")							
DN	8	10	15	20	25	32	40
SIZE	1/4"	3/8"	1/2"	3/4"	1"	1 1/4"	1 1/2"
BW	9.2	12.5	15.8	21	26.6	35.1	41
SW	14	18	22	27.5	34.5	43	49
Ø	11	11	14	21	25	32	38
A	20.6	20.6	24.6	31.7	41.3	48.4	56.3
B	40	40	46	57	67	76	86
C	66	66	76	90	105	115	130
D	36	36	42	56	60	71	76
E	9	9	12	14	14	16	16
F	48	48	51	68	67	83	88
G	150	150	150	175	175	200	200
H	16	16	19	22	25	29	33
J UNF	3/8"	3/8"	3/8"	7/16"	7/16"	9/16"	9/16"
K	45	45	51	62	68	77	87
L	5.5	5.5	5.5	7.5	7.5	9	9
M	27	27	32	38	35	41	46
N	66	66	69	86	85	105	110
P	1	1	1	1	2	2	2
Q	42	42	42	42	42	50	50
S	M6x47	M6x47	M6x55	M8x65	M8x75	M10x90	M10x100
T	30	30	30	30	30	35	35
V	M5	M5	M5	M5	M5	M6	M6
ISO TOP	F04	F04	F04	F04	F04	F05	F05
KG	0.6	0.6	0.8	1.5	2.2	3.4	4.2

Reduced Bore
DN65 - DN150
(2 1/2" - 6")

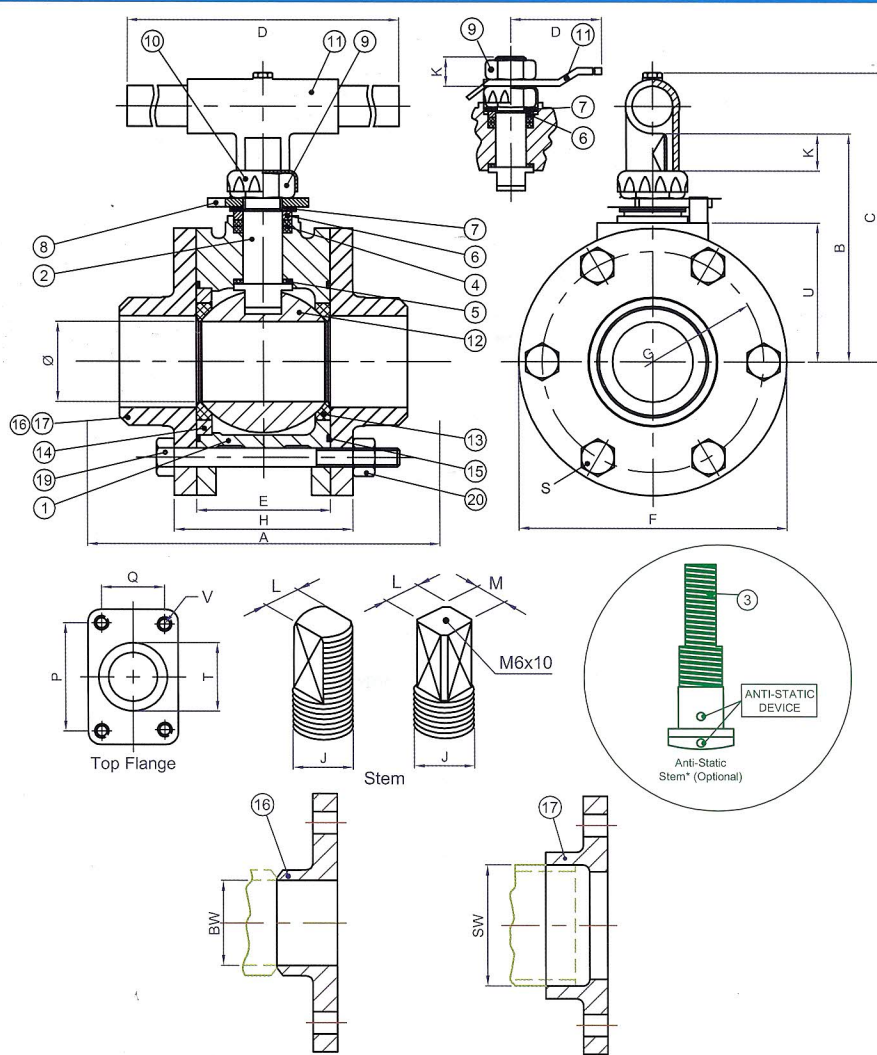


BALL VALVE
PN50
226iRB

MATERIALS	226i4	226i6
1 BODY	A216WCB	1.4408
2 STEM	SS316L	SS316L
3 ANTI-STATIC STEM (Optional)	SS316L	SS316L
4 GLAND PACKING	Carbonfilled PTFE	Carbonfilled PTFE
5 THRUST WASHER	Carbonfilled PTFE	Carbonfilled PTFE
6 STEM SEAL FOLLOWER	SS303	SS303
7 PLATE SPRING	SS301	SS301
8 LOCKING PLATE	SS304	SS304
9 HANDLE NUT	SS304	SS304
10 LOCK CAP	SS304	SS304
11 HANDLE	SS304	SS304
12 BALL	1.4401	1.4401
13 SEAT*	RPTFE or CPTFE	RPTFE or CPTFE
14 CENTERRING	SS316	SS316
15 BODY SEAL	Carbonfilled PTFE	Carbonfilled PTFE
16 BUTT WELD END	A216WCB	SS316L
17 SOCKET WELD END	A216WCB	SS316L
19 BODY BOLT	GS 8.8 galv.	A2-70
20 BODY NUT	GS 8.8 galv.	A2-70

*Also available in TFM

REDUCED BORE DN65-DN150 (2 1/2" - 6")					
DN	65	80	100	125	150
SIZE	2 1/2"	3"	4"	5"	6"
BW	62.7	78	102.3	126.5	154.1
SW	77	90	115.5	-	-
Ø	50	64	82.5	100	100
A	146	175	215	300	300
B	99	145	161	176	176
C	102	177	193	208	208
D	175	500	500	500	500
E	71.5	89	108.5	135	135
F	140	170	206	250	250
G	114	140	175	215	215
H	100	119	141	169	169
J	M16x1.5	UNF 1"	UNF 1"	UNF 1"	UNF 1"
K	16	23	23	23	23
L	11	19	19	19	19
M	-	21	21	21	21
P	54	65	65	65	65
Q	25	36	45	45	45
S	M12x115	M12x135	M14x115	M14x185	M14x185
T	38	45	45	45	45
U	75	91	107	126	126
V	M6	M8	M10	M10	M10
KG	8.5	16	25	43.5	48



Full Bore
DN50- DN100
(2" - 4")

**BALL
VALVES PN50**
226i_{FB}

MATERIALS		
	226i4	226i6
1 BODY	A216WCB	1.4408
2 STEM	SS316L	SS316L
3 ANTI-STATIC STEM (Optional)	SS316L	SS316L
4 GLAND PACKING	Carbonfilled PTFE	Carbonfilled PTFE
5 THRUST WASHER	Carbonfilled PTFE	Carbonfilled PTFE
6 STEM SEAL FOLLOWER	SS303	SS303
7 PLATE SPRING	SS301	SS301
8 LOCKING PLATE	SS304	SS304
9 HANDLE NUT	SS304	SS304
10 LOCK CAP	SS304	SS304
11 HANDLE	SS304	SS304
12 BALL	1.4401	1.4401
13 SEAT*	RPTFE or CPTFE	RPTFE or CPTFE
14 CENTER RING	SS316	SS316
15 BODY SEAL	Carbonfilled PTFE	Carbonfilled PTFE
16 BUTT WELD END	A216WCB	SS316L
17 SOCKET WELD END	A216WCB	SS316L
19 BODY BOLT	GS 8.8 galv.	A2-70
20 BODY NUT	GS 8.8 galv.	A2-70

*Also available in TFM

FULL BORE DN50-DN100 (2" - 4")				
DN	50	65	80	100
SIZE	2"	2 1/2"	3"	4"
BW	52.5	62.7	78	102.3
SW	61.5	77	90	115.5
Ø	50	64	82.5	100
A	146	175	215	300
B	99	145	161	176
C	102	177	193	208
D	175	500	500	500
E	71.5	89	108.5	135
F	140	170	206	250
G	114	140	175	215
H	100	119	141	169
J	M16 x 1.5	UNF 1"	UNF 1"	UNF 1"
K	16	23	23	23
L	11	19	19	19
M	-	21	21	21
P	54	65	65	65
Q	25	36	45	45
S	M12 x 115	M12 x 135	M14 x 115	M14 x 185
T	38	45	45	45
U	75	91	107	126
V	M6	M8	M10	M10
KG	8.5	16	25	48