

DAA FLOW INDICATOR W/PLASTIC ROTOR AND SELF CLEANING MECHANISM



Flow
Pressure
Level
Temperature
measurement
monitoring
control

- Buna PRX MM160124 -



- **Transparent Glass Cylinder**
- **For Liquids**
- **Maximum Pressure: 230 PSIG**
- **Self-cleaning Mechanism for the Glass Cylinder**
- **Universal Mountability**

S6



USA

KOBOLD Instruments Inc.
1801 Parkway View Drive
USA-Pittsburgh, PA 15205
☎ +1 412-788-2830
Fax +1 412-788-4890
E-mail: info@koboldusa.com



CANADA

KOBOLD Instruments Canada Inc.
9A Aviation
Pointe-Claire, QC H9R 4Z2
☎ +1 514-428-8090
Fax +1 514-428-8899
E-mail: kobold@kobold.ca

Visit KOBOLD Online at
www.kobold.com

Model:
DAA



DAA - Flow Indicator w/ Plastic Rotor and Self Cleaning Mechanism



DAA...

KOBOLD's new DAA visual flow indicator features a self-cleaning mechanism to insure full visibility of the rotor at all times. Most types of known flow indicators suffer problems of indicator visibility with use. These problems are the result of dirt build-up on the viewing windows of these devices. For such a device to be cleaned, it must be removed and restored at some convenient time (such as during plant shut-down). Unfortunately, dirt build-up usually does not schedule itself to correspond to planned shut-downs.

Enter the KOBOLD DAA! With a simple twist of the sight glass, integral wipers clean the viewing area to allow unobstructed observation of the rotor. The offending contaminants are then simply washed away by the medium flow. This process may be repeated as often as desired-no fuss-no downtime. The DAA is available with brass or stainless steel fittings with female threads 1/4" to 1-1/2" NPT. The body is made of a hard glass (Duran) and the rotor and wipers are synthetic. The device is kept tight and rotatable through the use of low friction o-rings. Try the new DAA, it can be habit forming

Specifications

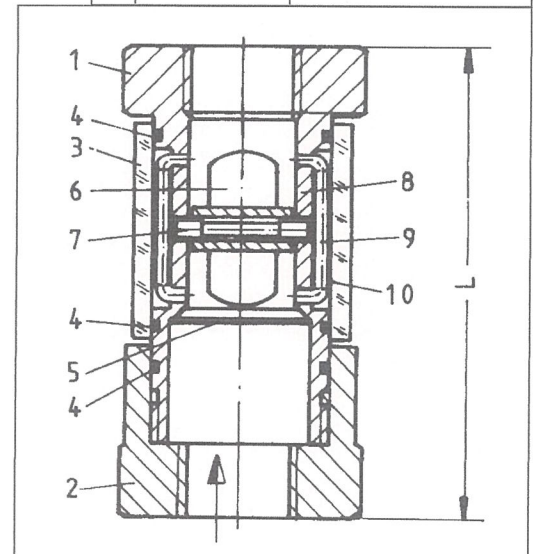
Max. Temperature: 210°F

Max. Pressure: 230 PSIG



DAA...

Ref.	Component	Material
1	Fitting	Brass nickel-plated or 303 SS
2	Inlet	Brass nickel-plated or 303 SS
3	Transparent cylinder	Borosilicate Glass
4	O-rings	Brass: Buna-N SS: Viton
5	Orifice	Brass nickel-plated 303 SS
6	Rotor (red)	Delrin
7	Rotor spindle	303 SS
8	Support bars	Brass nickel-plated or 303 SS
9	Wiper yokes	301 SS
10	Wipers	Polyolefin, SS: Viton



Order Number for Standard Types

Minimum flow required to start rotation GPM water				Max. flow		Conn.	Length "L" inches	Pressure drop with 6.5 ft/sec		Flow Indicator			
Water 1 cSt	Oil 40 cSt	Oil 114 cSt	Oil 150 cSt	with rotor GPM	w/out rotor GPM			with rotor PSI	w/out rotor PSI	with rotor		without rotor	
				Water GPM	Water GPM	NPT			Brass	SS	Brass	SS	
0.11	0.53	0.79	0.79	2.11	3.17	1/2"	2.76	0.29	0.15	DAA-5108	DAA-5208	DAA-6108	DAA-6208
0.16	0.53	0.79	0.79	3.17	4.76	3/8"	2.76	0.29	0.15	DAA-5110	DAA-5210	DAA-6110	DAA-6210
0.26	0.79	0.92	0.92	6.34	7.93	1/2"	3.35	0.44	0.29	DAA-5115	DAA-5215	DAA-6115	DAA-6215
0.26	0.79	0.92	0.92	12.15	15.85	3/4"	3.74	2.32	1.45	DAA-5120	DAA-5220	DAA-6120	DAA-6220
0.42	0.79	0.92	0.92	17.44	23.78	1"	4.13	4.06	2.90	DAA-5125	DAA-5225	DAA-6125	DAA-6225
0.79	1.06	1.32	1.32	29.06	39.63	1 1/4"	4.72	3.63	2.18	DAA-5132	DAA-5232	DAA-6132	DAA-6232
1.06	1.32	1.32	1.32	42.27	58.12	1 1/2"	5.12	4.21	2.90	DAA-5140	DAA-5240	DAA-6140	DAA-6240