

UFM-D DRAINS

ZERO-LOSS ELECTRONIC CONDENSATE DRAIN

Compressed Air & Process Filtration

Zero-loss, electronically controlled condensate drains that offer simple maintenance, silent operation, and fast return on investment.

Donaldson UFM-D drains offer an economical and low maintenance option to handling the liquid condensate, which naturally accumulates in various spots within a compressed air system. Condensate must be drained frequently, and typical drains are prone to loss of valuable compressed air. The UFM-D drains offer the ability to silently and cost effectively drain condensate from your compressed air system.



UFM-D

Zero-Loss Electronic
Condensate Drain

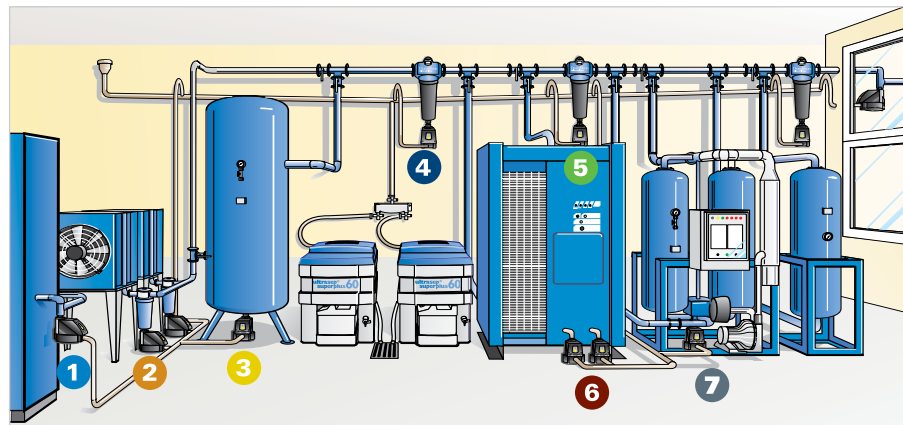
FEATURES AND BENEFITS

- Electronically level-controlled minimizes loss of costly compressed air
- Easy service with all maintenance parts in a single unit
- Manufactured with corrosion resistant materials
- Silent operation

APPLICATIONS

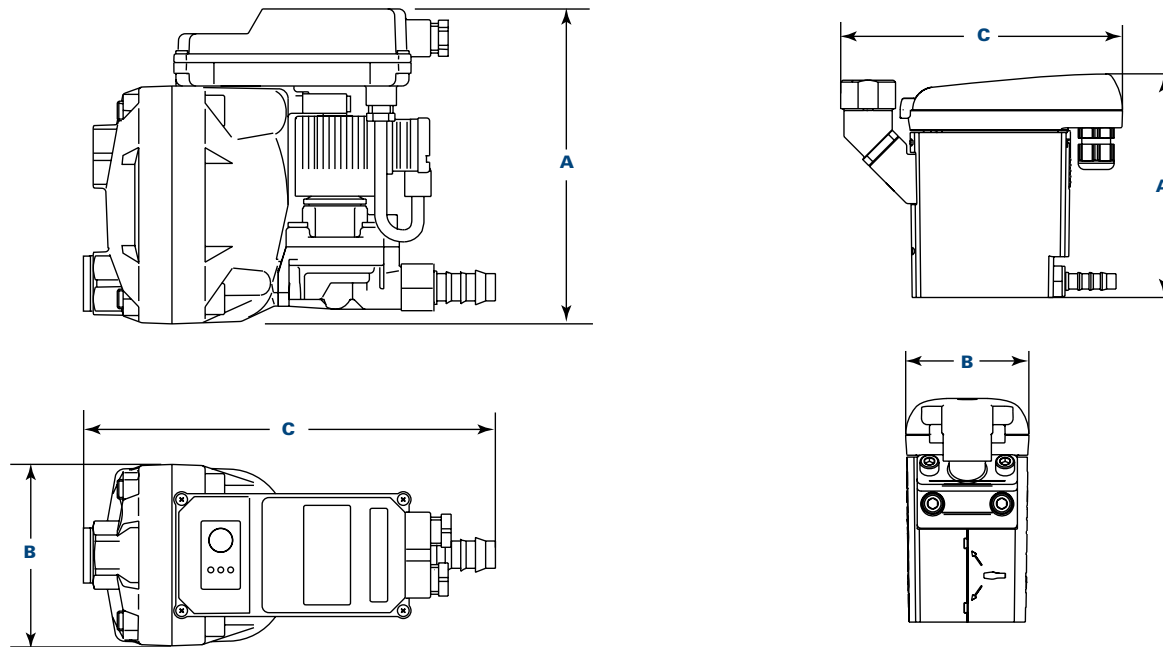
Ultramat zero-loss electronically controlled condensate drains are at many points to ensure condensate drainage without compressed air loss.

- 1 On the compressor itself
- 2 On compressor aftercoolers
- 3 On accumulator/surge tanks
- 4 On coarse coalescing prefilters before refrigerated and desiccant dryers
- 5 On fine coalescing prefilters before refrigerated and desiccant dryers
- 6 On refrigerated dryer cold-points or outlets
- 7 On desiccant dryer outlet



UFM-D DRAINS

DIMENSIONS & SPECIFICATIONS



UFM-D30/D130

UFM-D03 through UMF-D10

Type	Capacity (scfm)*			Operating Pressure (psi)		Operating Temperature		Connections (inches NPT)		Dimensions (inches)		
	Compressor	Dryer	Filter	Min	Max	Min	Max	Inlet	Outlet	A	B	C**
UFM-D03	100	210	1,050	12	230	34°F	140°F	½	¼	4.6	2.6	5.9 / 6.5
UFM-D05	170	350	1,760	12	230	34°F	140°F	½	¼	5.0	2.9	6.5 / 7.0
UFM-D10	350	700	3,530	12	230	34°F	140°F	½	½	6.2	2.9	8.3
UFM-D30***	1,050	2,110	10,590	12	230	34°F	140°F	½	½	6.4	3.7	8.3
UFM-D130	4,590	9,180	45,900	12	230	34°F	140°F	¾	½	7.1	4.7	9.9

* Capacity at 100 psig, 100°F, 100% RH.

** UFM-D03 and UFM-D05 have an inlet that can be easily positioned vertically or horizontally.

*** HP version upon request.



Donaldson Company, Inc.
Compressed Air and Process Filtration
PO Box 1299
Minneapolis, MN
55440-1299 U.S.A.

Tel 800-543-3634 (USA)
Tel 800-343-3639 (within Mexico)
Fax 952-885-4791
compressedair@donaldson.com
donaldson.com

