

KDE range 80 x 25 mm Part number 99484304


- air flow : 1.5 to 110 CFM
- acoustic noise : 23 to 45 dB A

Part numbers

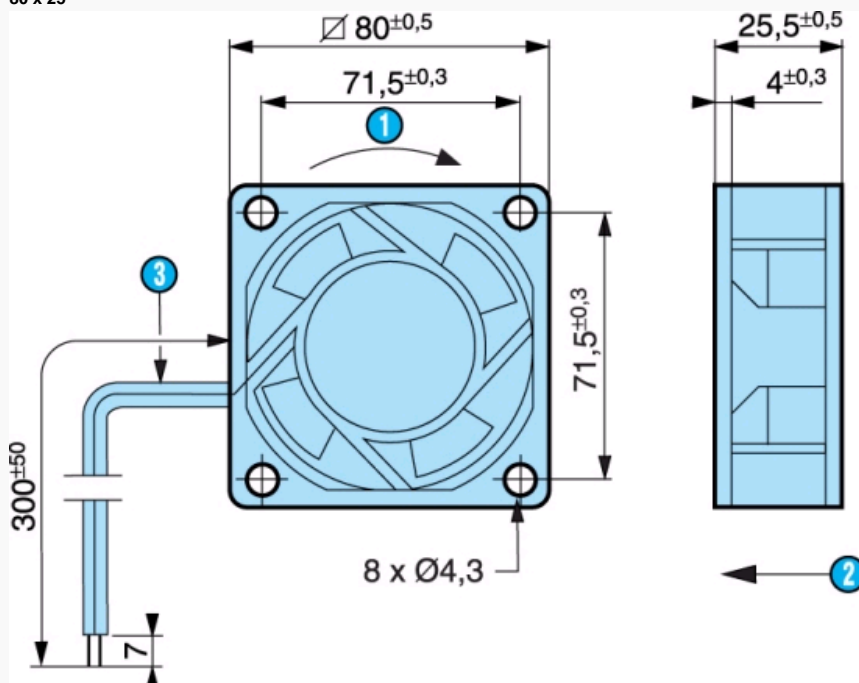
	Type	Voltage (V)	Nominal current (A)	nominal power (W)	Speed (rpm)	Max. air pressure (INCH-H ₂ O)	Acoustic noise (dB A)	Max. air flow rate 1 CFM = 1,7 m ³ /h (CFM)
99 484 304	80 x 25 mm	24	0,15	3,6	3000	0,19	33	41,7

Specifications

Bearings	sleeve
Material Plastic body	PBT UL 94V-0
Material Fan	PBT UL 94V-0
Insulation (IEC 664-1)	Class E
Approved UL, CSA and TUV	•
Available with ball bearings on request, in suitable quantities	•
Weight (g) 120 x 38 mm	328
Weight (g) 92 x 25 mm	135
Weight (g) 80 x 25 mm	120
Weight (g) 60 x 25 mm	60
Weight (g) 60 x 15 mm	45
Weight (g) 40 x 20 mm	35
Weight (g) 40 x 10 mm	20
Weight (g) 25 x 10 mm	7,5
Minimum order quantity : 120 x 38 mm	40 units
Minimum order quantity : 92 x 25 mm	50 units
Minimum order quantity : 80 x 25 mm	50 units
Minimum order quantity : 60 x 25 mm	100 units
Other types : minimum quantity	500 units

Dimensions (mm)

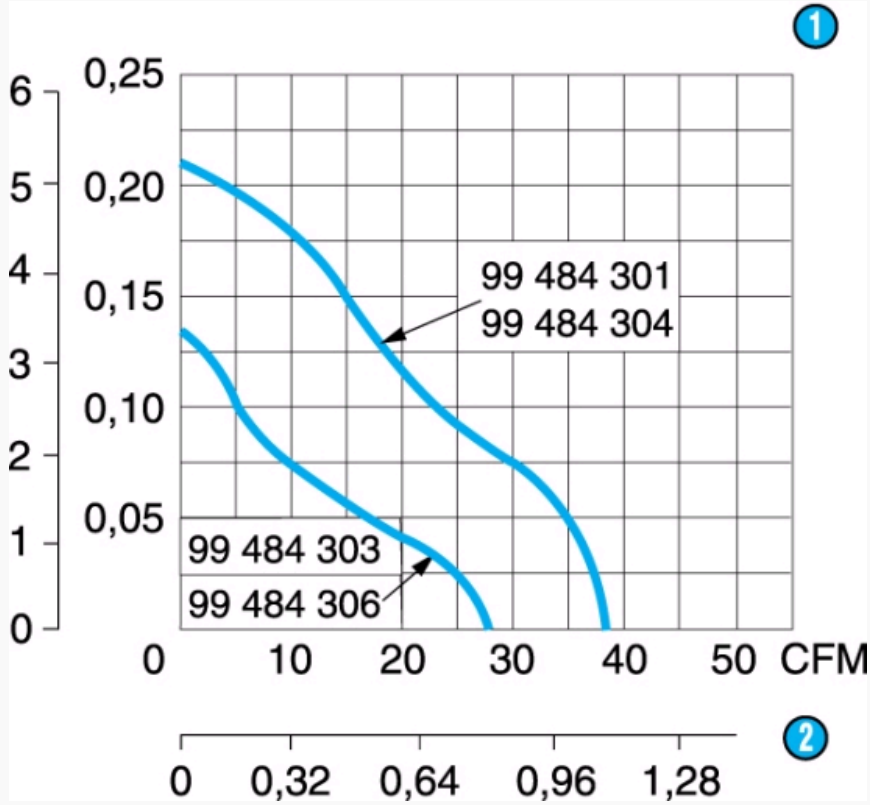
80 x 25



N°	Legend
①	Rotation
②	Air flow
③	UL 1007 24 AWG\ + red\ - black

Curves

99 484 301 / 304 - 99 484 303 / 306



N°	Legend
①	Air flow
②	m ³ /min