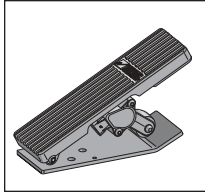
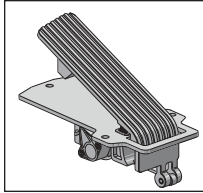


# Throttle Controls for Diesel Engines

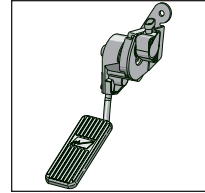
## Electronic Products



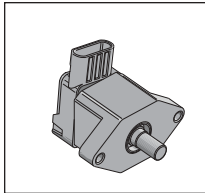
WM526  
Electronic  
Foot Pedal  
Assembly



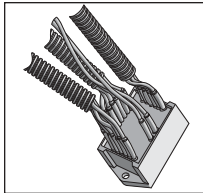
WM528  
Electronic  
Foot Pedal  
Assembly



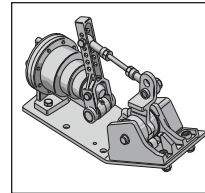
WM540  
Electronic  
Foot Pedal  
Assembly



WM531  
Remote  
Sensor  
Assembly

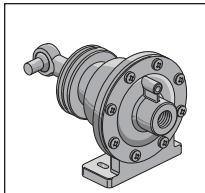


WM534  
Remote  
Sensor  
Assembly

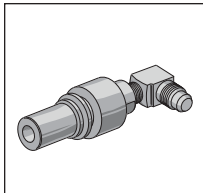


WM526  
Remote  
Sensor  
Assembly

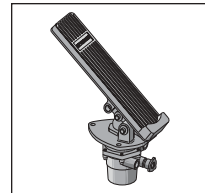
## Pneumatic Products



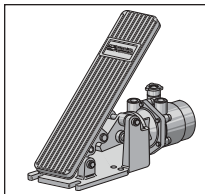
WM388  
WM642  
Pneumatic  
Cylinder



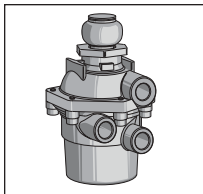
WM775B  
Pneumatic  
Transmission  
Modulator



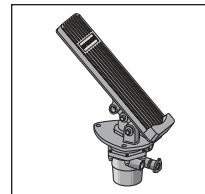
WM453M&N  
Pneumatic  
pedal



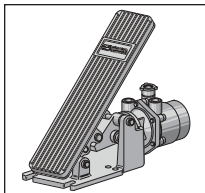
WM476F  
Pneumatic  
pedal



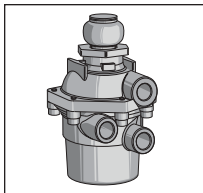
WM90DX  
Pneumatic  
Regulating  
Valve



WM453B&C  
Pneumatic  
pedal

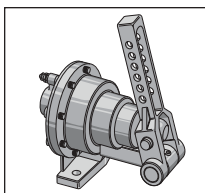


WM476B&C  
Pneumatic  
pedal

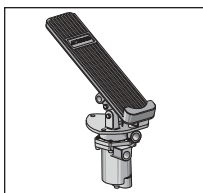


WM90  
Pneumatic  
Regulating  
Valve

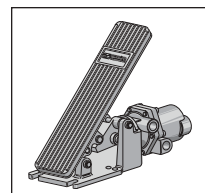
## Hydraulic Products



WM512C  
Hydraulic  
Cylinder



WM511C  
Hydraulic  
Pedal



WM515C  
Hydraulic  
Pedal



## Electronic Products 1-15

Electronic Foot Pedal Assembly  
WM526, WM528, WM540  
Remote Sensor Assembly  
WM531, WM534, WM526

## Pneumatic Products 16-34

Pneumatic Cylinder  
WM388, WM642  
Pneumatic Transmission Modulator  
WM775B  
Pneumatic Pedal  
WM453M&N, WM476F  
Pneumatic Regulating Valve  
WM90DX  
Pneumatic Pedal  
WM453B&C, WM476B&C  
Pneumatic Regulating Valve  
WM90

## Hydraulic Products 35-40

Hydraulic Cylinder  
WM512C  
Hydraulic Pedal  
WM511C, WM515C

## Ordering Information

(503) 684-8623  
(503) 684-8625  
(503) 684-8626  
(503) 684-8610 Fax

Toll free in U.S. (800) 547-1889

## Technical Services

(503) 684-8624  
(503) 670-3330 Fax

Toll free in U.S. (800) 547-1889

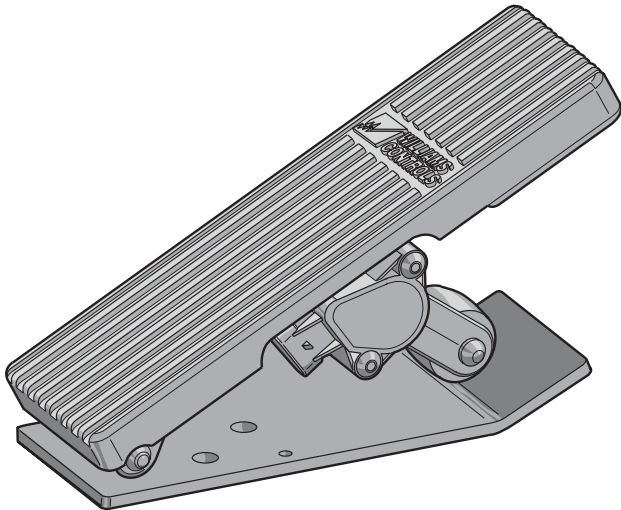


14100 SW 72nd Avenue Portland, Oregon 97224 USA  
Toll free in U S (800)547-1889 [www.williamscontrols.com](http://www.williamscontrols.com)

## Application Information for Electronic Accelerator Pedal Sensor Kits

	Engine	Sensor Kit Part Number
<b>Freightliner</b> 1E Class 8	Caterpillar	132484
	Cummins	132034
	DDEC III	132035
	Treadle pin kit	130553
Century Class	Caterpillar	132486
	Cummins	131973
	DDC/Cummins	131973
	DDEC III	130800
	Treadle pin kit	130553
Business Class	Caterpillar	132484
	Cummins	131973
	DDC/Cummins	131973
	DDEC III	130800
	Treadle pin kit	130553
School Bus Chassis	Caterpillar	132484
	Cummins	131973
	Treadle pin kit	130553
FCCC/Motor-home & Step-van Chassis	Caterpillar	132484
	Cummins	132034
	DDC/Cummins	131973
	Treadle pin kit	130553
American LaFrance	Cummins	132034
	DDEC III	132035
	Treadle pin kit	130553
Sterling HN80	Caterpillar	132486
	DDC/Cummins	131973
	Treadle pin kit	130553
Sterling Cargo	Cummins	131973
	Treadle pin kit	130553
<b>Peterbilt</b>	Caterpillar	132486
	Cummins/DDEC	131973
	Treadle pin kit	130553
<b>Western Star</b>	Caterpillar	132484
	Cummins	132034
	Cummins/DDEC	340000
	DDEC	132035
	Treadle pin kit	130553
<b>Navistar</b>	8 volt Caterpillar Sensor	132484
	526 Cummins	340001
	540 Cummins	131490
	510/540 DDEC II Sensor Kit	131167
	526 DDEC II	131140
	Treadle pin kit	130553
<b>Volvo</b> Suspended Pedal	Caterpillar	132484
	Cummins	131856
Floor Pedal	Treadle pin kit	130553
	Caterpillar	131284
	Cummins	132034
	DDEC III	132035
	Treadle pin kit	130553

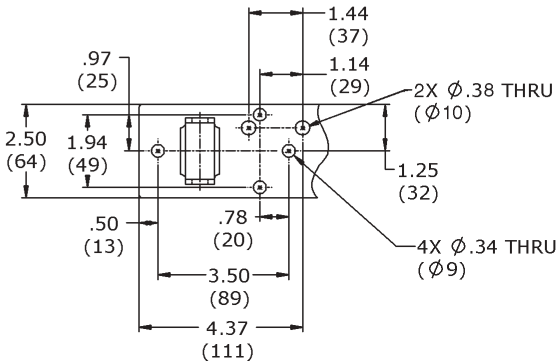
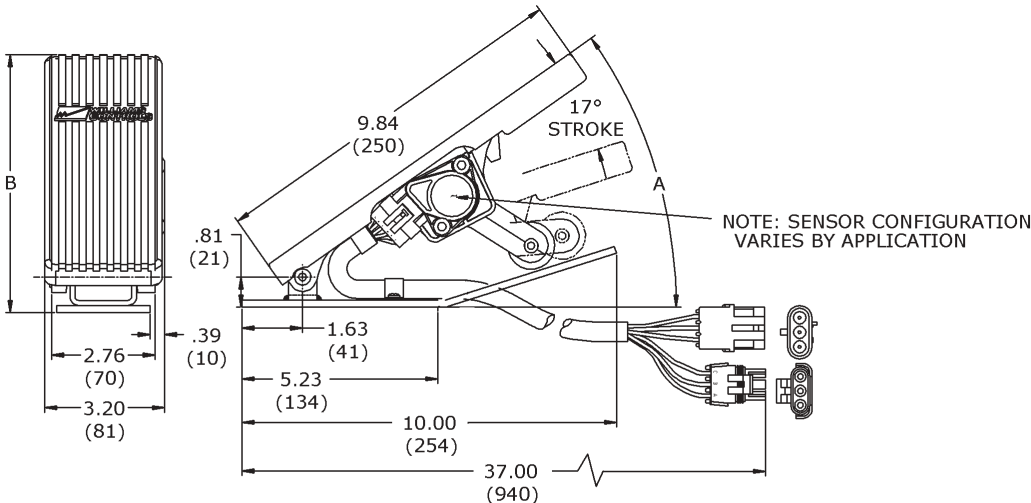
# WM526 Electronic Accelerator Pedal



## Features and Specs

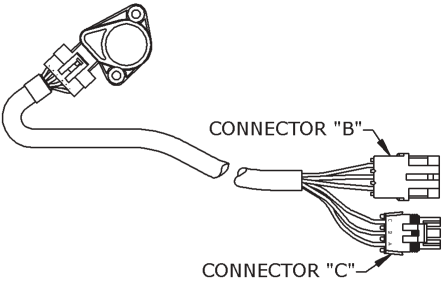


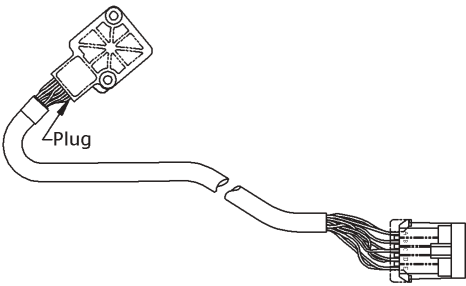
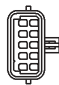
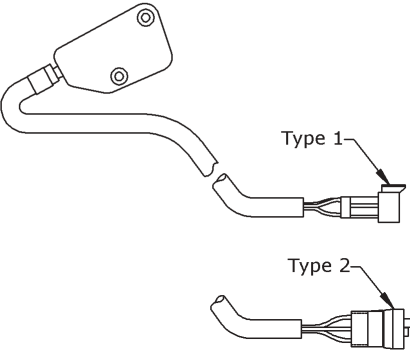
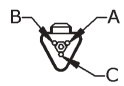

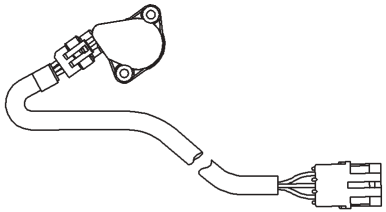

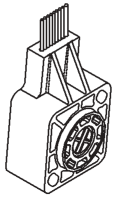
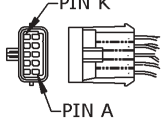
- FMVSS-124 approved
- Weight: 3 lb, 12 oz (1,70 kg)
- Sensor outputs conform to engine manufacturer specifications

## Dimensional Data



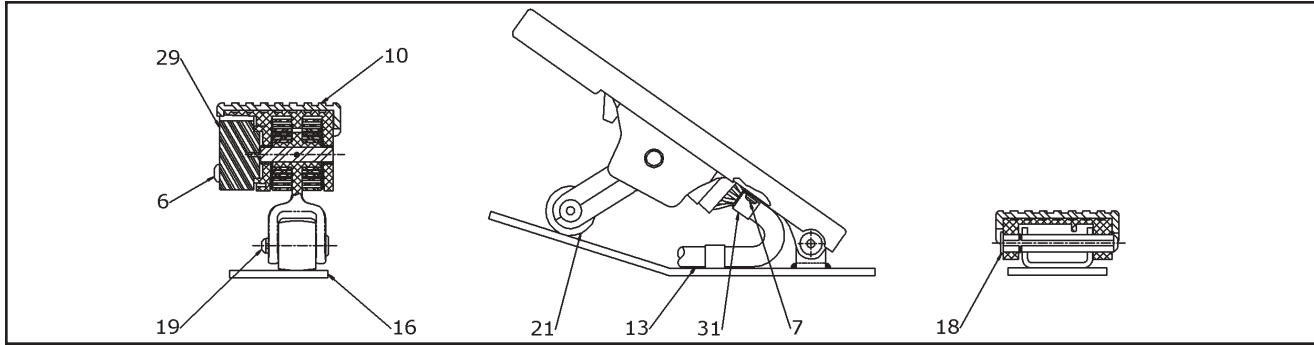
PART NUMBER	A	B
350415	28.5	5.94 (151)
350416	35	6.88 (175)
350417	45	7.90 (201)
350825	28.5	5.94 (151)
350826	35	6.88 (175)
350827	45	7.90 (201)
359593	28.5	5.94 (151)
359594	35	6.88 (175)
359595	45	7.90 (201)
351383	28.5	5.94 (151)
351421	35	6.88 (175)

# Sensor & Connector Information

PEDAL PART NUMBER	SENSOR*	CONNECTOR	PIN LEGEND
<b>CUMMINS:</b> 350825 350826 350827		Connector "B": PACKARD ELECTRIC "WEATHER PACK" CONNECTOR 	PIN A---WHITE----APS GROUND PIN B---BLACK----APS SIGNAL PIN C---RED-----APS SUPPLY (5V)
		Connector "C": PACKARD ELECTRIC "WEATHER PACK" CONNECTOR 	PIN C---GREEN----THROTTLE ACTIVE PIN B---BLUE-----IDLE ACTIVE PIN A---ORANGE--IVS SUPPLY (5V)
<b>JOHN DEERE:</b> (DIESEL) 351422		PACKARD ELECTRIC "METRI-PACK 150 SERIES", 10 WAY SEALED CONNECTOR 	PIN A--- WHITE---- FP1 GROUND PIN B--- BROWN--- FPP1 SIGNAL (H-GAIN) PIN C--- BLUE----- FPP1 SUPPLY PIN D--- VIOLET--- SWITCH (N-CLOSED) PIN E--- YELLOW-- SWITCH SUPPLY PIN F--- ORANGE-- SWITCH (N-OPEN) PIN G--- N/A----- PLUG PIN H--- RED----- FPP2 SUPPLY PIN J--- GREEN---- FPP2 SIGNAL (L-GAIN) PIN K--- BLACK---- GROUND
<b>Type 1:</b> <b>CATERPILLAR:</b> 350415 350416 350417		Type 1: DEUTSCH "DT" CONNECTOR 	PIN A---RED-----SUPPLY PIN B---BLACK---GROUND PIN C---WHITE---SIGNAL
		Type 2: DEUTSCH 3-PIN ROUND CONNECTOR - (PRE 1994) 	RED-----B+ WHITE---SIGNAL BLACK---GROUND
<b>DDEC II:</b> 345593 345594 345595  <b>DDECIII:</b> 359593 359594 359595		PACKARD ELECTRIC "WEATHER PACK" CONNECTOR 	PIN A---WHITE---GROUND PIN B---BLACK---APS SIGNAL PIN C---RED-----SUPPLY
<b>JOHN DEERE:</b> (CNG) 351383		PACKARD ELECTRIC "METRI PACK" CONNECTOR 	PIN A--- WHITE---- FP1 GROUND PIN B--- BROWN--- FPP1 SIGNAL (H-GAIN) PIN C--- BLUE----- FPP1 SUPPLY PIN D--- VIOLET--- SWITCH (N-CLOSED) PIN E--- YELLOW-- SWITCH SUPPLY PIN F--- ORANGE-- SWITCH (N-OPEN) PIN G--- N/A----- PLUG PIN H--- RED----- FPP2 SUPPLY PIN J--- GREEN---- FPP2 SIGNAL (L-GAIN) PIN K--- BLACK---- GROUND

\*SENSOR HOUSING MAY VARY

# Cross Section & Parts



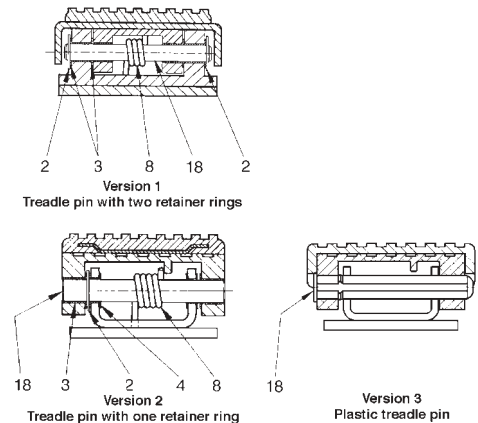
Item	Part No.	Description	Caterpillar					Cummins/Mercedes		
			345415	345416	345417	350415	350416	350417	350825	350826
6	132252	Screw	2	2	2	2	2	2	2	2
7	130446	Screw	2	2	2	2	2	2	2	2
10	131386	Treadle Cover	1	1	1	1	1	1	1	1
13	131165	Int Sens Harness				1			1	1
16	131426	28.5° Baseplate	1			1		1		
16	131427	35° Baseplate		1			1		1	
16	131428	45° Baseplate			1		1			1
18	132100	Treadle Pin	1	1	1	1	1	1	1	1
19	132099	Roller Shaft	1	1	1	1	1	1	1	1
21	132098	Roller	1	1	1	1	1	1	1	1
29	132160	Cat Sensor, round	1	1	1					
29	132446	Cat Sensor				1	1	1		
29	132354	Int Sensor						1	1	1
31	130996	Wire Clamp	2	2	2	2	2	2	2	2

Item	Part No.	Description	DDEC II			DDEC III & IV			Deere (Diesel)	Deere (CNG)
			345593	345594	345595	359593	359594	359595	351422	351383
6	132252	Screw	2	2	2	2	2	2	2	
7	130446	Screw	2	2	2	2	2	2	2	
10	131386	Treadle Cover	1	1	1	1	1	1	1	
13	131970	Harness						1		
13	130063	Wire Harness	1	1	1	1	1			
16	131426	28.5° Baseplate	1			1				
16	131427	35° Baseplate		1			1			
16	131428	45° Baseplate			1		1		1	
18	132100	Treadle Pin	1	1	1	1	1	1	1	
19	132099	Roller Shaft	1	1	1	1	1	1	1	
21	132098	Roller	1	1	1	1	1	1	1	
29	130656	DDEC Sensor	1	1	1					
29	119495	DDEC Sensor				1	1	1		
29	131779	5k Sensor Diesel						1		
29	132445	CNG Sensor							1	
31	130996	Wire Clamp	2	2	2	2	2	2	2	

Serviceable items are identified above.

## Service Kit Information

Service Kit	Service Kit Number	Item Numbers
Roller kit - All models	131139	19, 21
Treadle pin kit - All models	130553	2, 3, 4, 8, 18
Sensor kit - Caterpillar 8 VDC	132484	6, 7, 29
Sensor kit - Caterpillar 12 VDC	131138	6, 7, 29
Sensor kit - Cummins/Mercedes North America	132034	6, 7, 13, 29
Sensor kit - early DDEC I	130303	6, 29
Sensor kit - DDEC II	131140	6, 7, 13, 29, 31
Sensor kit - DDEC III & IV	132035	6, 7, 13, 29, 31
Sensor kit - J Deere CNG	132739	6, 29
Sensor kit - J Deere Diesel	132736	6, 7, 13, 29, 31

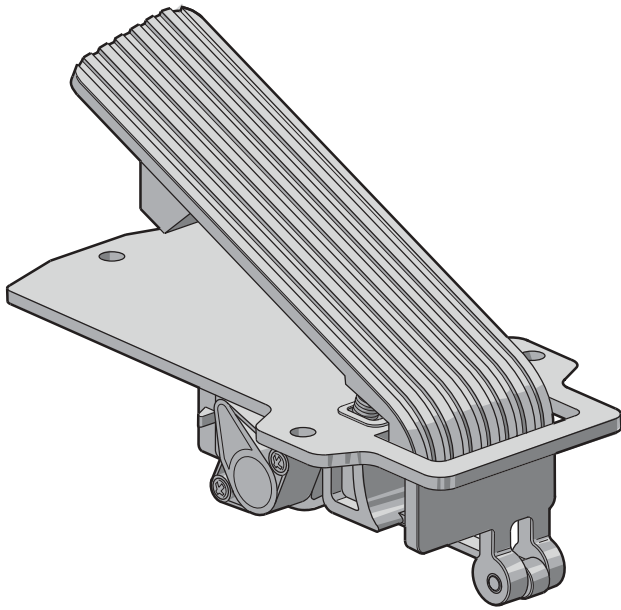


## To Order

To order a WM526 model, select part number from the chart below.

Engine Application	Part Number	Pedal Angle	Connector Type	Vehicle Toeboard Angle
Caterpillar	345415	28.5°	Round - pre 1994 Deutsch 3 pin 12V	16° - 25°
Caterpillar	345416	35°	Round - pre 1994 Deutsch 3 pin 12V	6° - 15°
Caterpillar	345417	45°	Round - pre 1994 Deutsch 3 pin 12V	0° - 5°
Caterpillar	350415	28.5°	Triangular Deutsch DT 8V	16° - 25°
Caterpillar	350416	35°	Triangular Deutsch DT 8V	6° - 15°
Caterpillar	350417	45°	Triangular Deutsch DT 8V	0° - 5°
Cummins Mercedes North America	350825	28.5°	Packard WeatherPack	16° - 25°
Cummins Mercedes North America	350826	35°	Packard WeatherPack	6° - 15°
Cummins Mercedes North America	350827	45°	Packard WeatherPack	0° - 5°
DDEC II	345593	28.5°	Packard WeatherPack	16° - 25°
DDEC II	345594	35°	Packard WeatherPack	6° - 15°
DDEC II	345595	45°	Packard WeatherPack	0° - 5°
DDEC III & IV w/o IVS	359593	28.5°	Packard WeatherPack	16° - 25°
DDEC III & IV w/o IVS	359594	35°	Packard WeatherPack	6° - 15°
DDEC III & IV w/o IVS	359595	45°	Packard WeatherPack	0° - 5°
John Deere Diesel	351422	35°	Packard WeatherPack	6° - 15°
John Deere CNG	351383	45°	Flying leads	0° - 5°

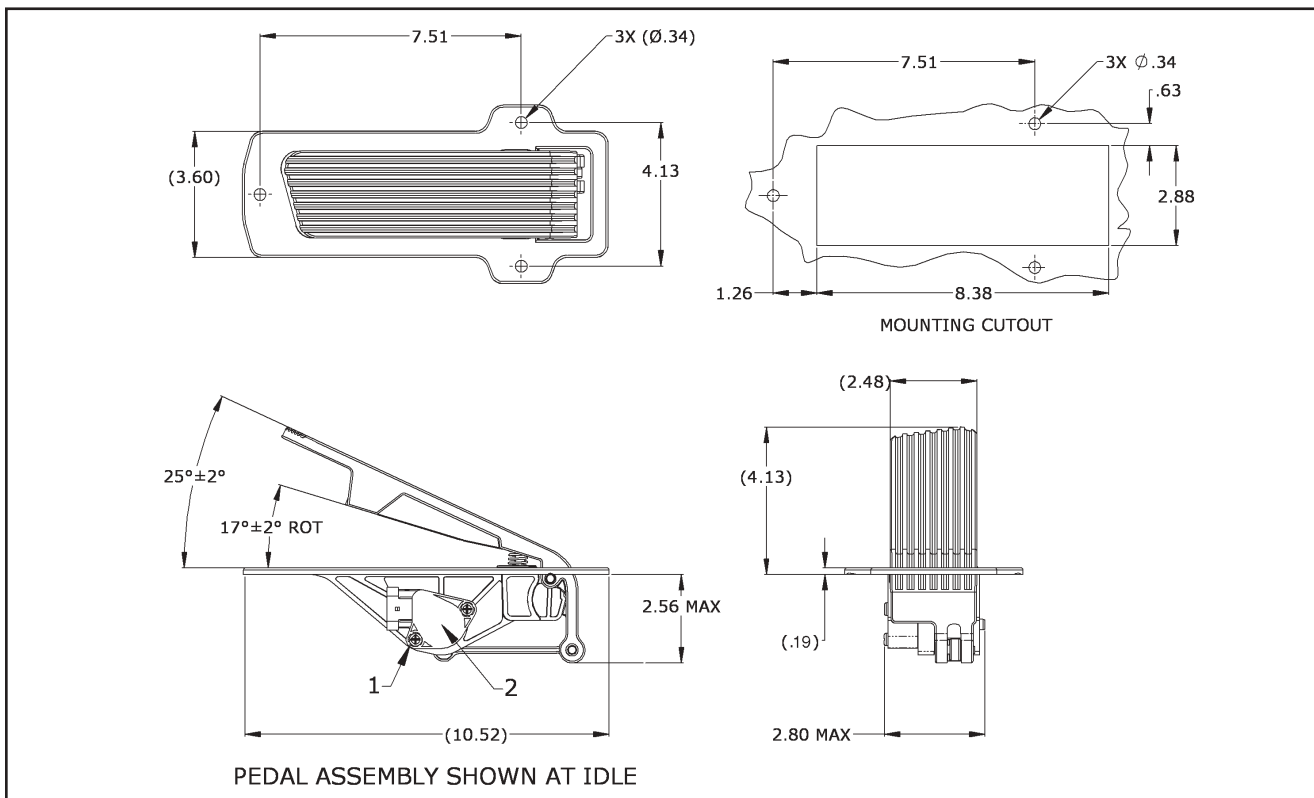
# WM528 Electronic Accelerator Pedal



## Features and Specs

- For applications that require a very low profile
- FMVSS-124 approved
- Weight: 1.63 lb (0,74 kg)
- Sensor outputs conform to engine manufacturer specifications

## Dimensional Data



## Service Kit Information

Part Number	Sensor Service Kit	Item Numbers
351363	132381	1, 2
351361	132382	1, 2

## To Order

To order a WM528 model, select part number from the chart below.

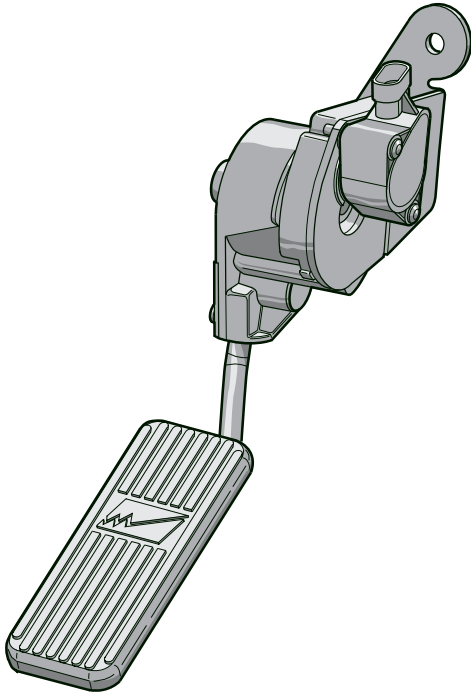
Part Number	Engine Application
351363	DDEC III & IV
351364	Cummins, Mercedes North America



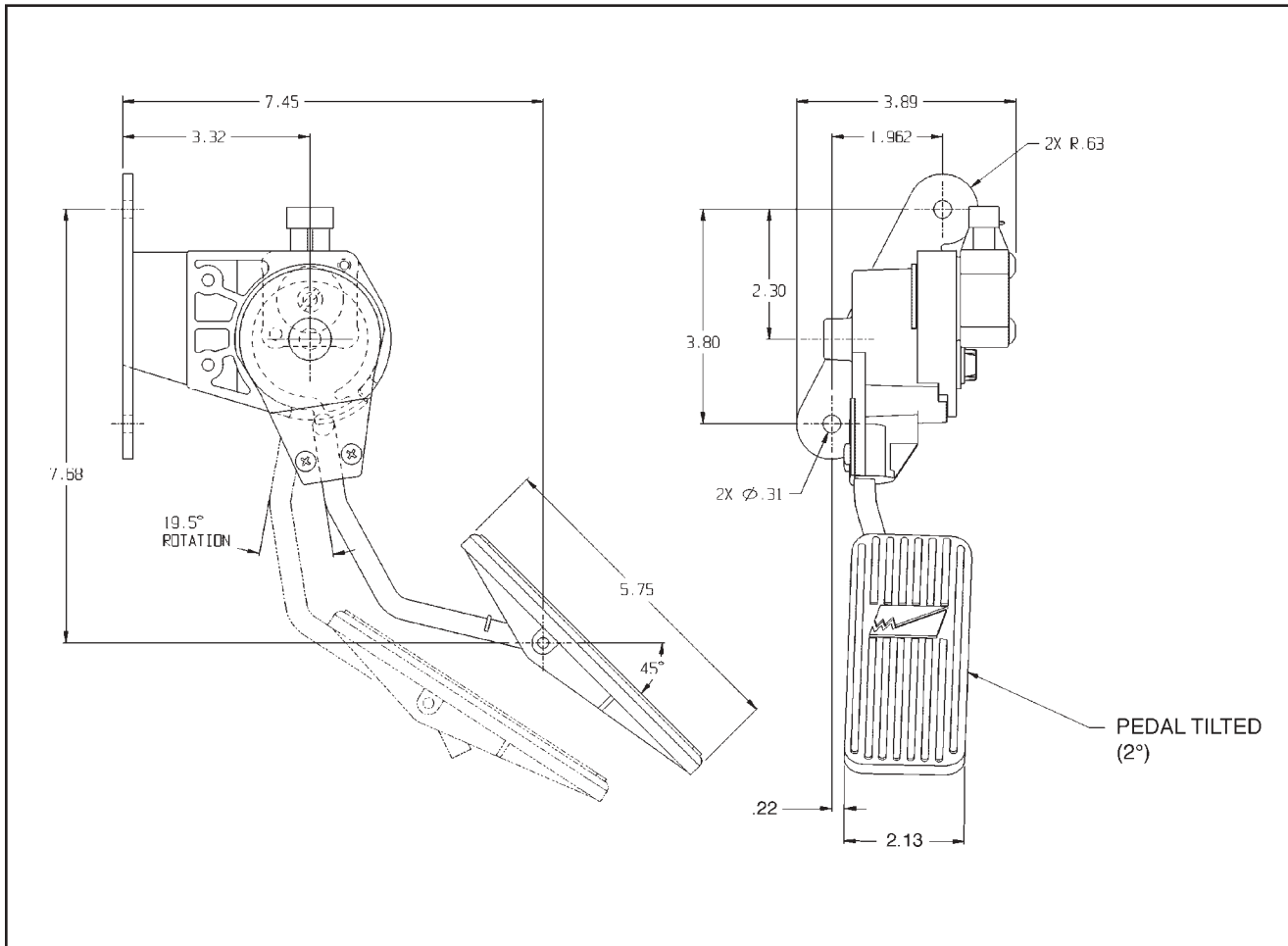
# WM540 Suspended Electronic Accelerator Pedal

## Features and Specs


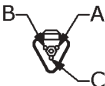


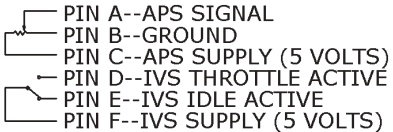



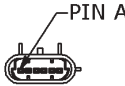
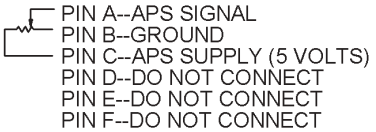
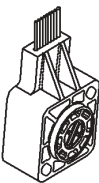
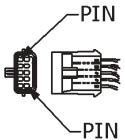
- FMVSS-124 approved
- Weight: 3 lb (1,36 kg)
- Sensor outputs conform to engine manufacturer specifications



## Dimensional Data



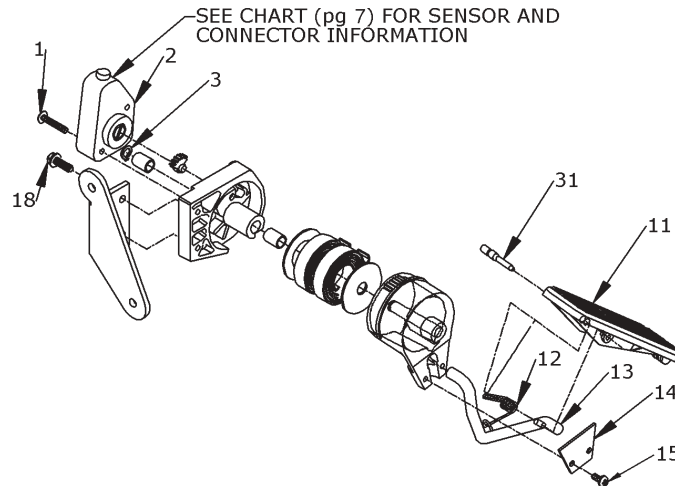
# Sensor & Connector Information

PEDAL PART NUMBER	SENSOR HOUSING*	CONNECTOR	PIN LEGEND
CATERPILLAR: 131508		DEUTSCH "DT" CONNECTOR  	PIN A---RED-----VS PIN B---BLACK---GROUND PIN C---WHITE---SIGNAL
CUMMINS, DDEC III** 131507		PACKARD ELECTRIC  	 PIN A--APS SIGNAL PIN B--GROUND PIN C--APS SUPPLY (5 VOLTS) PIN D--IVS THROTTLE ACTIVE PIN E--IVS IDLE ACTIVE PIN F--IVS SUPPLY (5 VOLTS)
DDEC II: 131506  DDEC III: 131549		PACKARD ELECTRIC "METRI PACK"  	PIN C--WHITE--GROUND PIN B--BLACK--APS SIGNAL PIN A--RED-----SUPPLY
JOHN DEERE DIESEL: 131814		PACKARD ELECTRIC  	 PIN A--APS SIGNAL PIN B--GROUND PIN C--APS SUPPLY (5 VOLTS) PIN D--DO NOT CONNECT PIN E--DO NOT CONNECT PIN F--DO NOT CONNECT
JOHN DEERE CNG: 132430		PACKARD ELECTRIC "METRI PACK"  	PIN A--WHITE---FPP1 GROUND PIN B--BROWN--FPP1 SIGNAL (HIGH) PIN C--BLUE-----FPP1 SUPPLY PIN D--VIOLET---SWITCH (NO) PIN E--YELLOW--SWITCH SUPPLY PIN F--ORANGE--SWITCH (NC) PIN G--N/A-----CAVITY PLUG PIN H--RED-----FPP2 SUPPLY PIN J--GREEN----FPP2 SIGNAL (LOW) PIN K--BLACK----FPP2 GROUND

\*Sensor housing may vary

\*\*Idle validation is an option for DDEC III applications

## Exploded View & Parts



Item	Part No.	Description	Caterpillar 131508	Cummins/Mercedes 131507	DDEC III & IV 131549	John Deere Diesel 131814	John Deere CNG 132430
1	132252	Screw	1	1	1	1	1
2	119454	Sensor			1		
2	131779	Diesel Sensor				1	
2	132354	Int Sensor		1			
2	132445	CNG Sensor					1
2	132446	Cat Sensor	1				
3	130567	Retaining Ring	1	1	1	1	1
11	131921	Pedal Pad	1	1	1	1	1
12	131510	Spring	1	1	1	1	1
13	131509	Pedal Arm	1	1	1	1	
13	132359	Pedal Arm					1
14	131358	Clamp	1	1	1	1	1
15	100110	Screw	2	2	2	2	2
18	118708	Screw	2	2	2	2	2
31	131512	Pedal Pin	1	1	1	1	1

Serviceable items are identified above.

## Service Kit Information

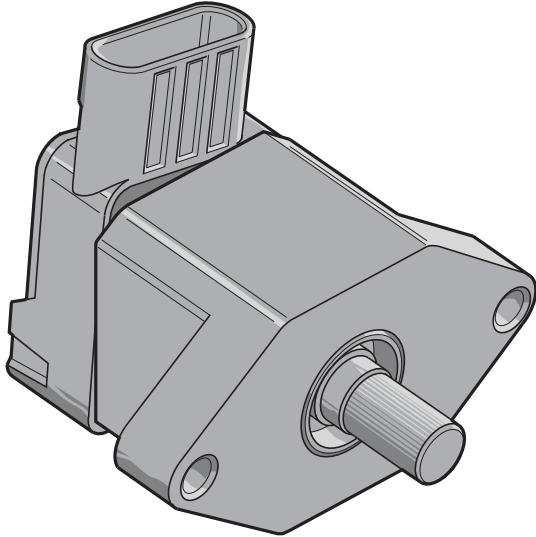
Part Number	Sensor Service Kit	Item Numbers
131508 Caterpillar	132484 8v	1, 2
131507 Cummins/Mercedes North America	131973	1, 2
131549 DDEC III & IV	130800	1, 2
131814 John Deere Diesel	132737	1, 2
132430 John Deere CNG	132739	1, 2

## To Order

To order a WM540 model, select part number from the chart below.

Engine Application	Part Number	Idle Validation Switch
Caterpillar	131508	No
Cummins/Mercedes North America	131507	Yes
DDEC III & IV w/o IVS	131549	No
John Deere Diesel	131814	Yes
John Deere CNG	132430	Yes

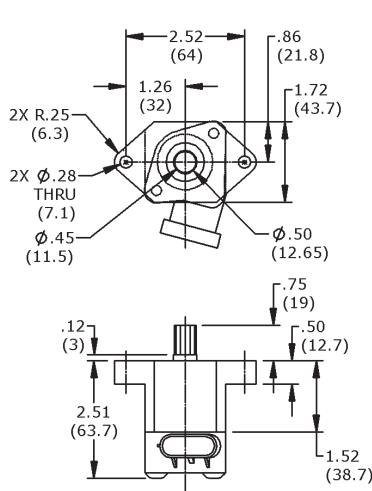
# WM531 Remote Sensor Assembly



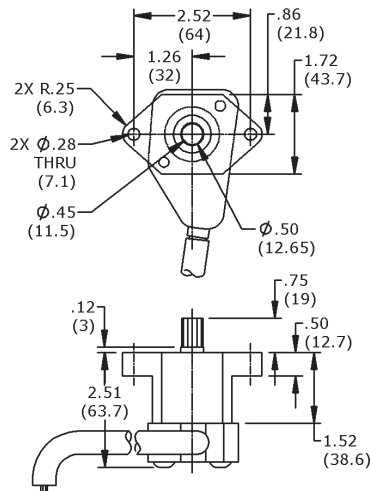
## Features and Specs

- Mechanical over electronic control
- Weight: 1 lb (0,46 kg)
- Sensor outputs conform to engine manufacturer specifications

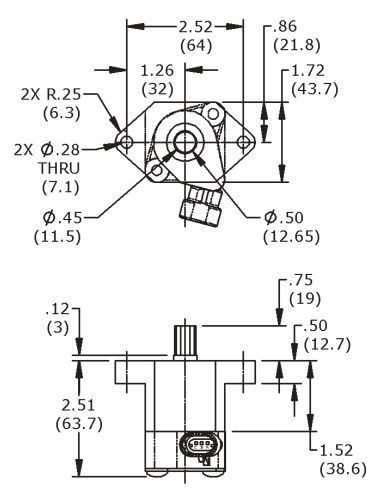
## Dimensional Data



131032


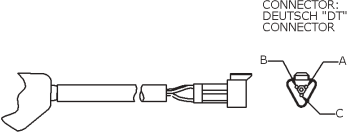

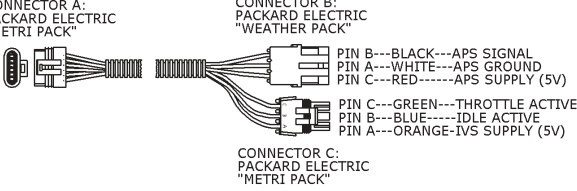

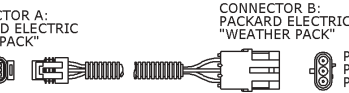




131520



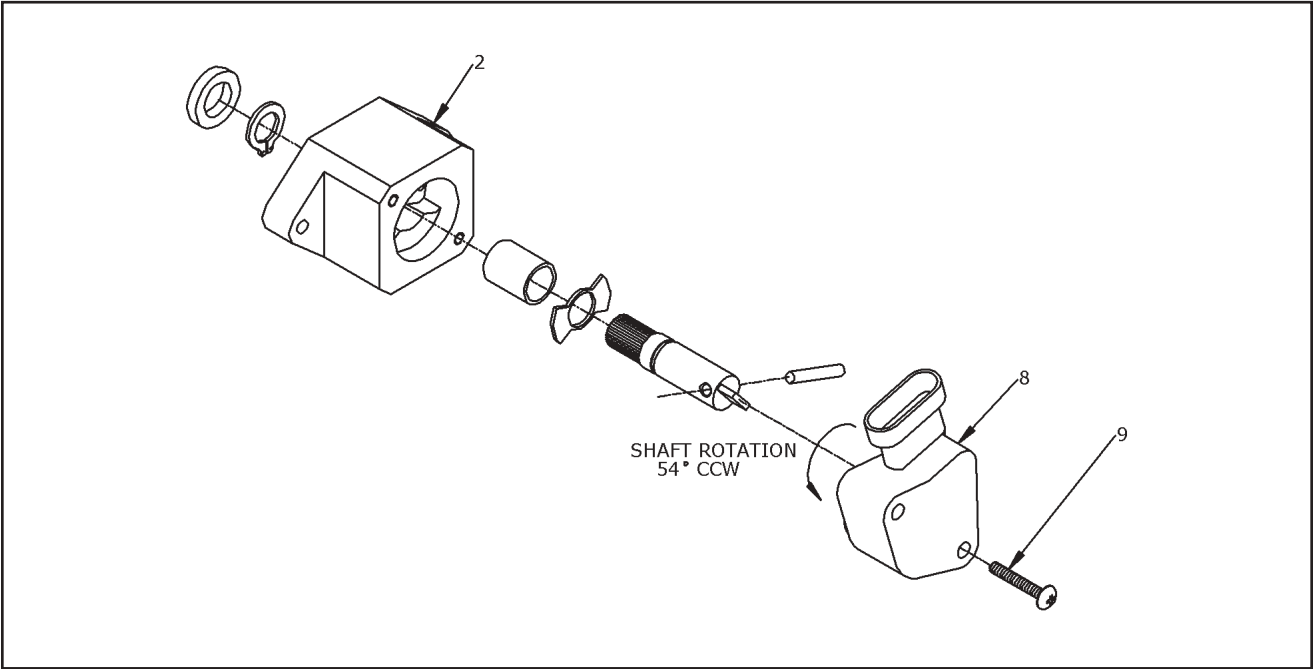
131521

# Sensor & Connector Information

ENGINE / P/N	SENSOR	WIRING HARNESS / CONNECTORS
CATERPILLAR 131520		 <p>CONNECTOR: DEUTSCH "DT" CONNECTOR</p> <p>PIN A---RED---SUPPLY PIN B---BLACK---GROUND PIN C---WHITE---SIGNAL</p>
CUMMINS NAVISTAR, DDEC III (W/ IDLE VALIDATION SWITCH*) 131032		<p>P/N 131165**</p>  <p>CONNECTOR A: PACKARD ELECTRIC "METRI PACK"</p> <p>PIN F---ORANGE---IVS SUPPLY (5V) PIN E---BLUE---IDLE ACTIVE PIN D---GREEN---THROTTLE ACTIVE PIN C---RED---APS SUPPLY (5V) PIN B---WHITE---APS GROUND PIN A---BLACK---APS SIGNAL</p> <p>CONNECTOR B: PACKARD ELECTRIC "WEATHER PACK"</p> <p>PIN B---BLACK---APS SIGNAL PIN A---WHITE---APS GROUND PIN C---RED---APS SUPPLY (5V)</p> <p>CONNECTOR C: PACKARD ELECTRIC "METRI PACK"</p> <p>PIN C---GREEN---THROTTLE ACTIVE PIN B---BLUE---IDLE ACTIVE PIN A---ORANGE---IVS SUPPLY (5V)</p>
DDEC II 131521		<p>P/N 130063**</p>  <p>CONNECTOR A: PACKARD ELECTRIC "METRI PACK"</p> <p>PIN C---WHITE---GROUND PIN B---BLACK---APS SIGNAL PIN A---RED---SUPPLY</p> <p>CONNECTOR B: PACKARD ELECTRIC "WEATHER PACK"</p>
DDEC III (W/O IDLE VALIDATION SWITCH*) 131522		 <p>CONNECTOR A: PACKARD ELECTRIC "METRI PACK"</p> <p>PIN A---WHITE---GROUND PIN B---BLACK---APS SIGNAL PIN C---RED---SUPPLY</p> <p>CONNECTOR B: PACKARD ELECTRIC "WEATHER PACK"</p>

\* Idle validation is an option for DDEC III applications  
\*\*Wiring harness for remote sensor assemblies must be ordered separately

# Exploded View & Parts



## Exploded View & Parts (continued)

Item	Part No.	Description	Cummins/Mercedes 131032	Navistar 132330	Caterpillar 132052	Caterpillar 131520	DDEC II 131521	DDEC III & IV 131522	Caterpillar 132056	DDEC II, III, IV 132114
2	132144	Housing	1	1	1	1	1	1	1	1
8	131856	Sensor	1							
8	131040	Sensor		1						
8	132446	Sensor				1				
8	130656	Sensor					1			
8	119454	Sensor						1		
9	131308	Screw	2	2	2	2	2	2	2	2

Serviceable items are identified above.

## Service Kit Information

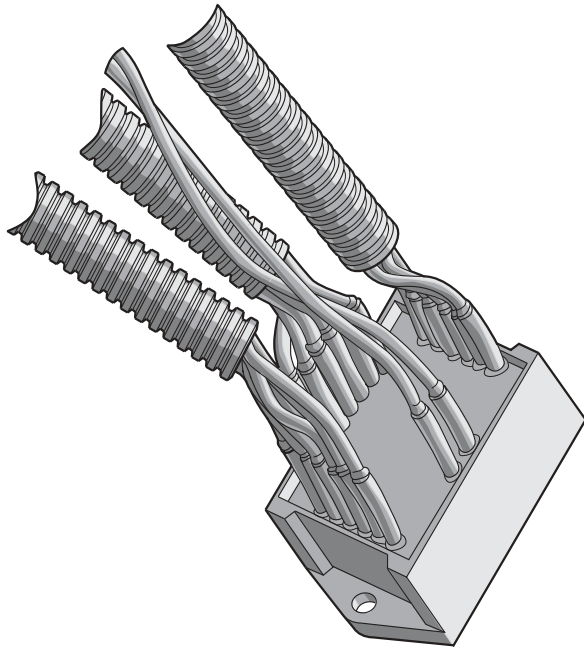
Part Number	Sensor Service Kit	Item Numbers
131032 Cummins/Mercedes North America	131973	8, 9
132330 Navistar	131490	8, 9
131520 Caterpillar	132484	8, 9
131521 DDEC II	131167	8, 9
131522 DDEC III & IV	130800	8, 9

## To Order

To order a WM531 model, select part number from the chart below.

Engine Application	Part Number	Wiring Harness (must be purchased separately)
Cummins w/132354 Sensor Mercedes North America	131032	131165
International w/131040 Sensor	132330	131166
Caterpillar 54°, No Sensor	132052	None
Caterpillar 54° w/8v Sensor	131520	None
Caterpillar Adjustable, No Sensor	132056	None
DDEC II w/o IVS, w/130656 Sensor	131521	130063
DDEC III & IV w/o IVS, w/119454 Sensor	131522	130063
DDEC II, III, IV No Sensor	132144	None

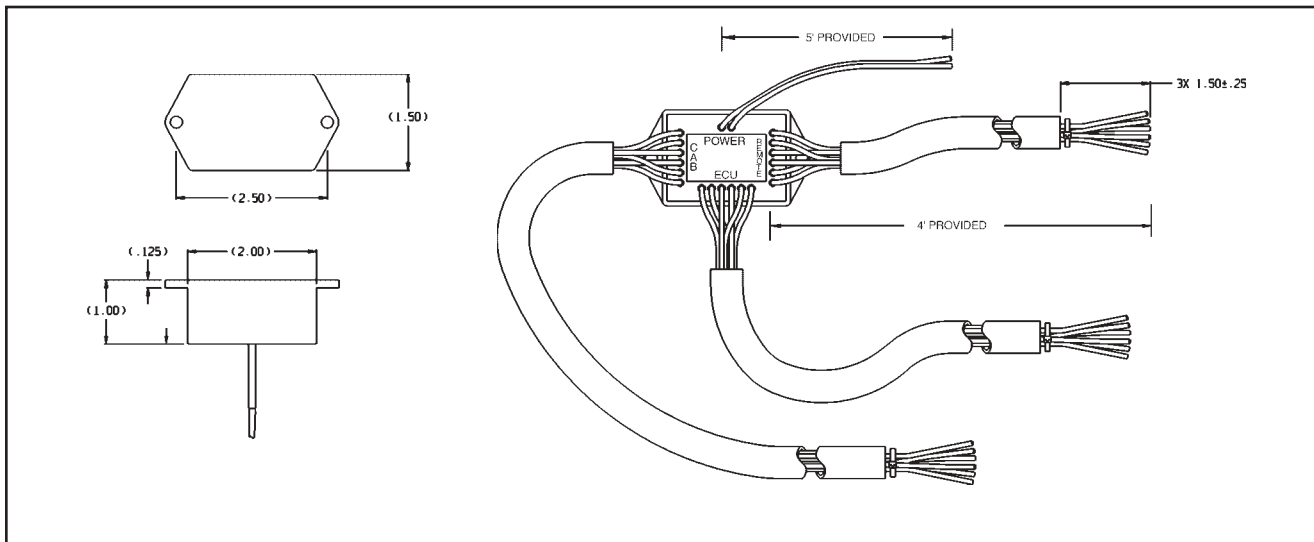
# WM534 Remote Throttle Switch Module



## Features and Specs

- Six pole, double throw switch allows an operator to select between two independent stations
- Operating temperature: -40°F to 185°F (-40°C to 85°C)
- Operating voltage: 12.6 VDC
- Maximum load voltage/ current: 28 volts/1 amp
- Maximum distance (unit to remote controller): 300 feet using 18 gauge wire
- Weight: 1 lb (0,45 kg)

## Dimensional Data



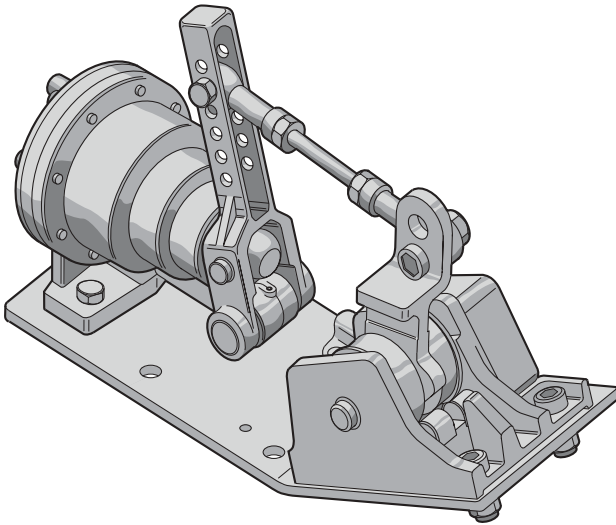
## To Order

To order model WM534, specify part number 131755.

**Note: One connector kit needed for each WM534 installation. Connector kit must be purchased separately.**

Engine Type	Connector Kit Number
Caterpillar with round connector	131771
Caterpillar with triangular connector	131772
Cummins & DDEC III with IVS	131773
DDEC II & III without IVS	131774
International with 6 pin connector	131775

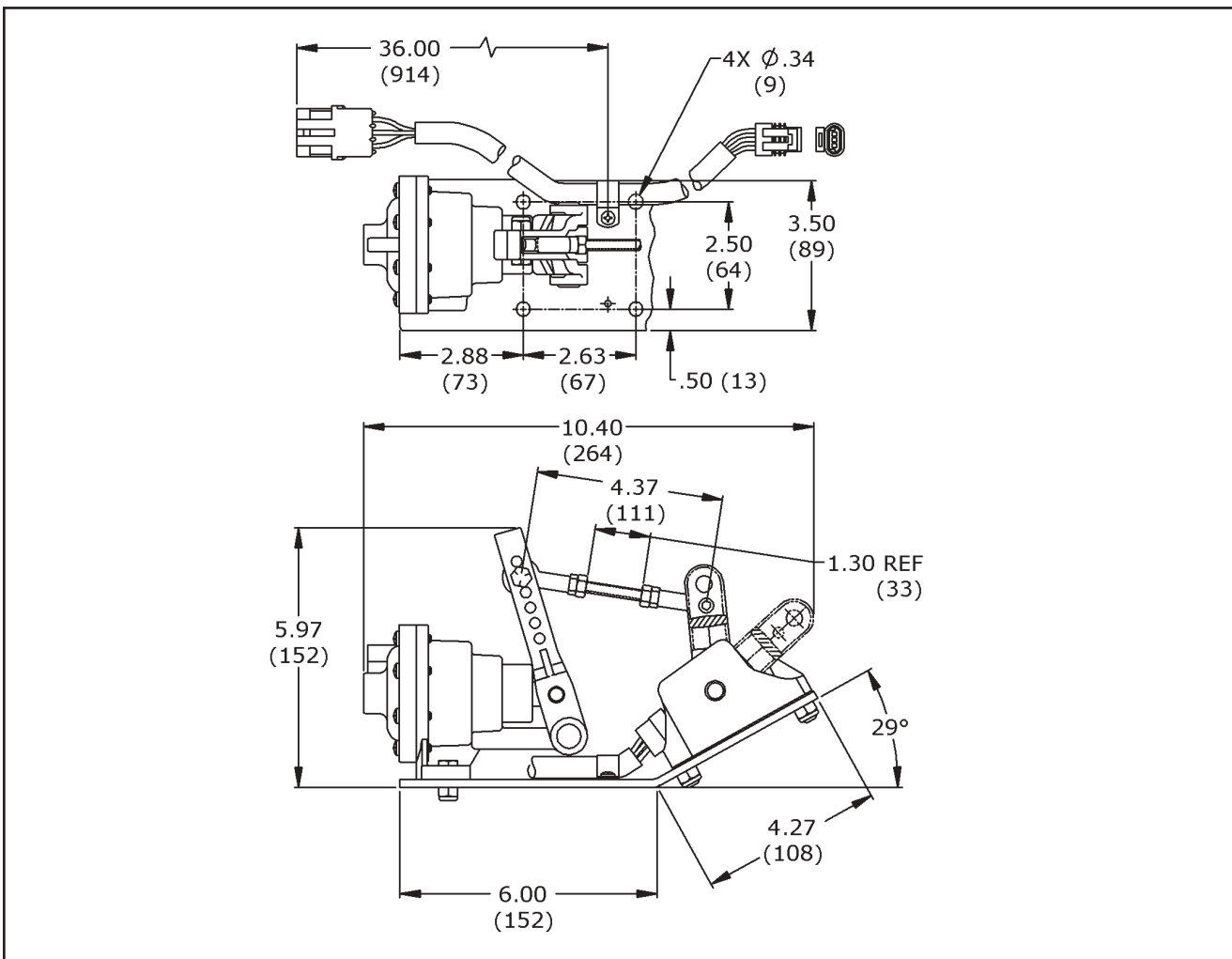
# WM526 Air/Electronic Remote Sensor Assembly



## Features and Specs

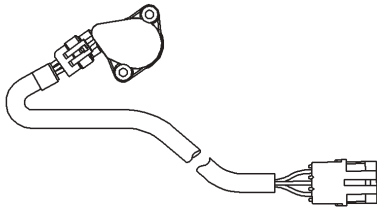

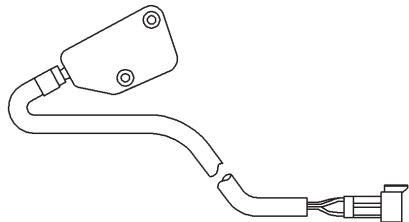
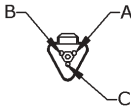

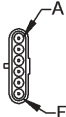
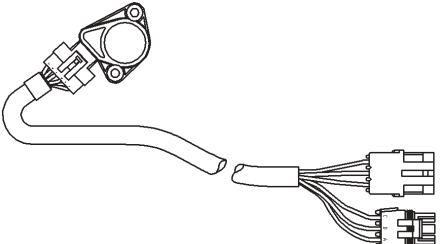


- Allows pneumatic signal to control electronic engine
- FMVSS-124 approved
- Weight: 4 lb (1,82 kg)
- Sensor outputs conform to engine manufacturer specifications

## Dimensional Data



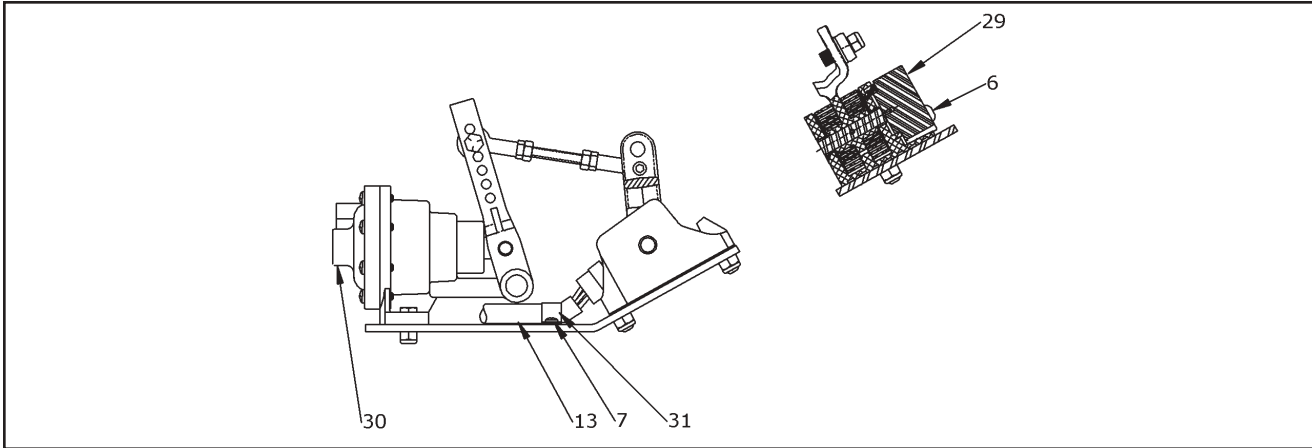


# Sensor & Connector Information

PART NUMBER	SENSOR HOUSING*	CONNECTOR	PIN LEGEND
DDECII: 345997		PACKARD ELECTRIC "WEATHER PACK" CONNECTOR 	PIN A---WHITE---GROUND PIN B---BLACK---APS SIGNAL PIN C---RED-----SUPPLY
CATERPILLAR: 351311		Category 1: DEUTSCH "DT" CONNECTOR 	PIN A---RED-----SUPPLY PIN B---BLACK---GROUND PIN C---WHITE---SIGNAL
NAVISTAR: 351312	CONNECTOR A: PACKARD ELECTRIC "METRI PACK"  PIN A	Connector "B": PACKARD ELECTRIC "WEATHER PACK" CONNECTOR 	PIN A--BLACK---APS SIGNAL PIN B--WHITE---GROUND PIN C--RED-----APS SUPPLY (5 VOLTS) PIN D--GREEN---IVS THROTTLE ACTIVE PIN E--BLUE-----IVS IDLE ACTIVE PIN F--ORANGE--IVS SUPPLY (5 VOLTS)  PIN A--WHITE---GROUND PIN B--BLACK---APS SIGNAL PIN C--RED-----APS SUPPLY (5V) PIN D--GREEN---THROTTLE ACTIVE PIN E--BLUE-----IDLE ACTIVE PIN F--ORANGE---IVS SUPPLY
DDEC III: 351313**		Connector "B": PACKARD ELECTRIC "WEATHER PACK" CONNECTOR 	PIN A---WHITE---APS GROUND PIN B---BLACK---APS SIGNAL PIN C---RED-----APS SUPPLY (5V)
DDEC III: 351314**		Connector "C": PACKARD ELECTRIC "WEATHER PACK" CONNECTOR 	PIN C---GREEN---THROTTLE ACTIVE PIN B---BLUE-----IDLE ACTIVE PIN A---ORANGE--IVS SUPPLY (5V)

\*SENSOR HOUSING MAY VARY  
\*\*IDLE VALIDATION IS AN OPTION FOR DDEC III APPLICATIONS

## Cross Section & Parts



Item	Part No.	Description	DDEC II 345997	Caterpillar 351311	DDEC III & IV 351313	DDEC/Cummins/Mercedes 351314	International 351379
6	132252	Screw	2	2	2	2	2
7	130446	Screw	1	1	1	1	1
13	130063	Wire Harness	1	N/A*	1		
13	131165	Wire Harness				1	1
29	130656	Sensor	1				
29	119454	Sensor			1		
29	131040	Sensor					1
29	131856	Sensor				1	
29	132446	Sensor		1			
30	131302	Air Cylinder	1	1	1	1	1
31	130996	Wire Clamp	1	1	1	1	1

\* Sensor has integral harness. Serviceable items are identified above.

## Service Kit Information

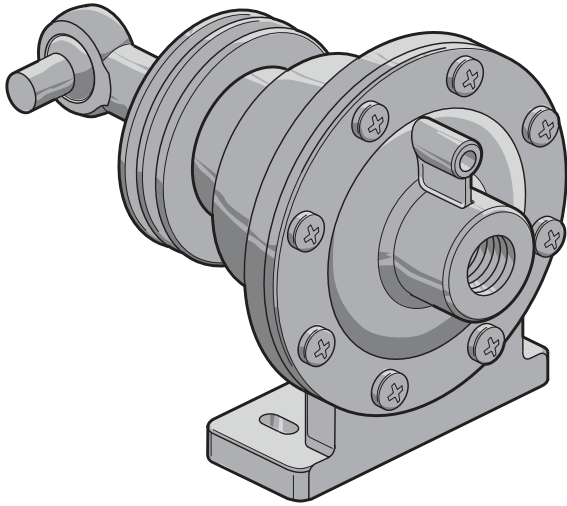
Part Number	Service Kit	Item Numbers
345997 DDEC II	Sensor kit 131140	6, 7, 13, 29, 31
351311 Caterpillar 8v	Sensor kit 132484	6, 7, 29, 31
351313 DDEC III & IV, w/o IVS	Sensor kit 132035	6, 7, 13, 29, 31
351314 Cummins, DDEC III & IV, w/IVS Mercedes North America	Sensor kit 132034	6, 7, 13, 29, 31
351379 International	Sensor kit 340000	6, 7, 13, 29, 31
All models	Air Cylinder kit 131618	Soft parts only

## To Order

To order a WM526 model, select part number from the chart below.

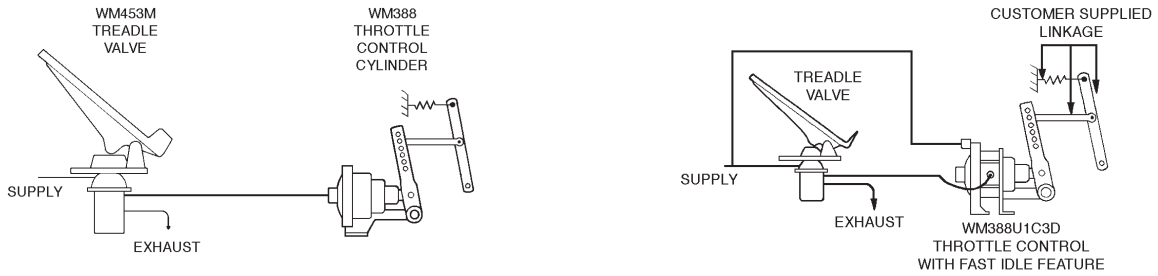
Engine Application	Part Number
DDEC II	345997
Caterpillar 8v	351311
DDEC III & IV, w/o IVS	351313
Cummins, DDEC III & IV, w/IVS Mercedes North America	351314
International	351379

# WM388 & WM642 Series Pneumatic Throttle Control Cylinders

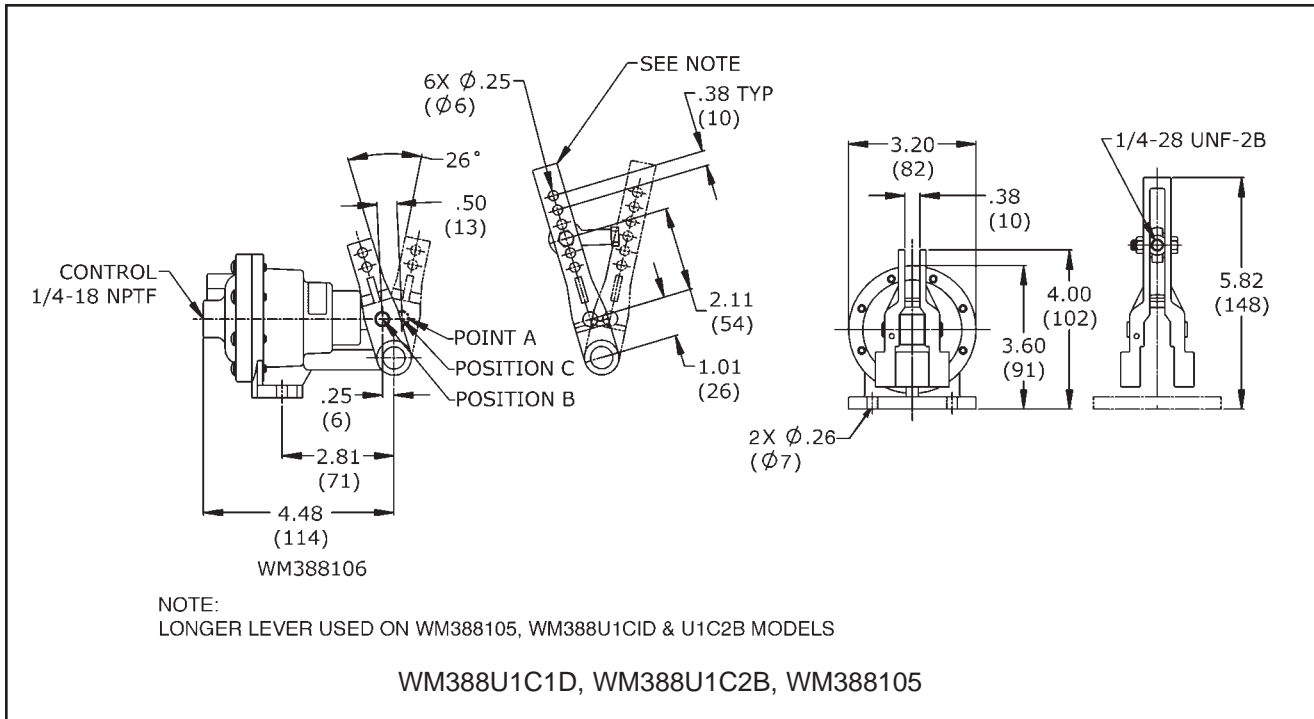


## Features and Specs

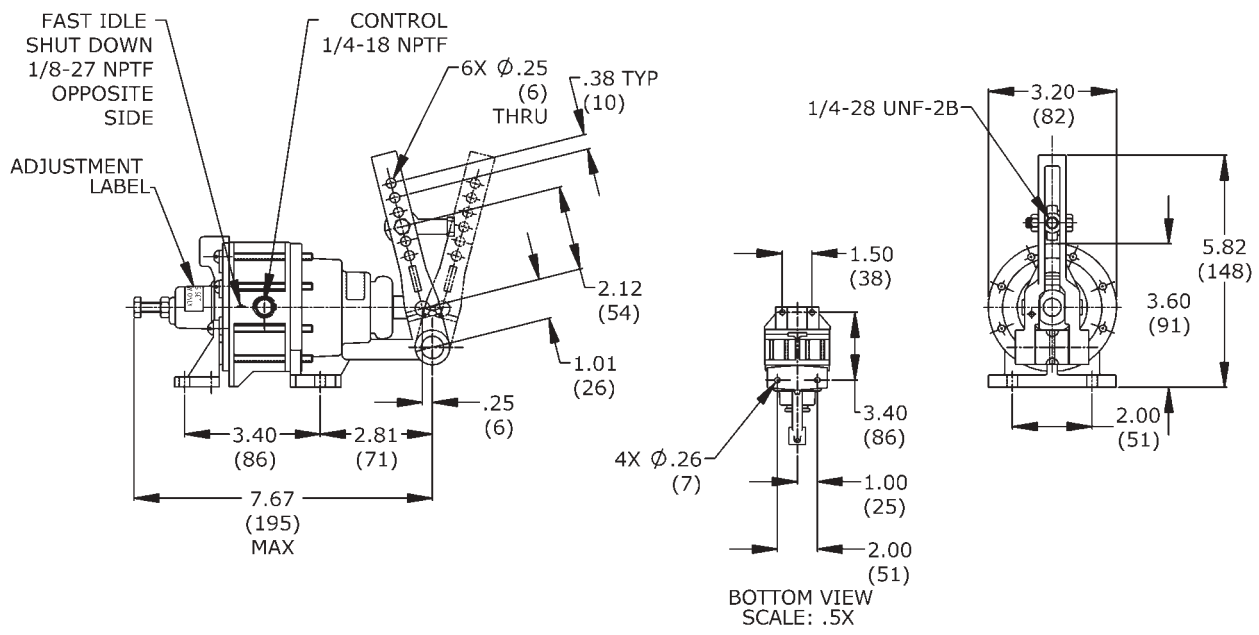
- Models for on and off-highway
- Weight: WM388U1A1A: 1 lb, 5 oz (0,6 kg)  
WM388105, U1C1D & U1C2B: 1 lb, 12 oz (0,8 kg)  
WM388U1C3D: 2 lb, 12 oz (1,2 kg)  
WM642F5: 2 lb, 8 oz (1,1 kg)
- Port size: 1/4-18 NPTF (control)  
1/8-27 NPTF (fast idle) (WM388U1C3D only)
- Maximum supply pressure: 150 PSI (1034 kPa)
- Operating temperature: -40°F to 200°F (-40°C to 93°C)  
WM388U1C2B only: -20°F to 200°F (-29°C to 93°C)



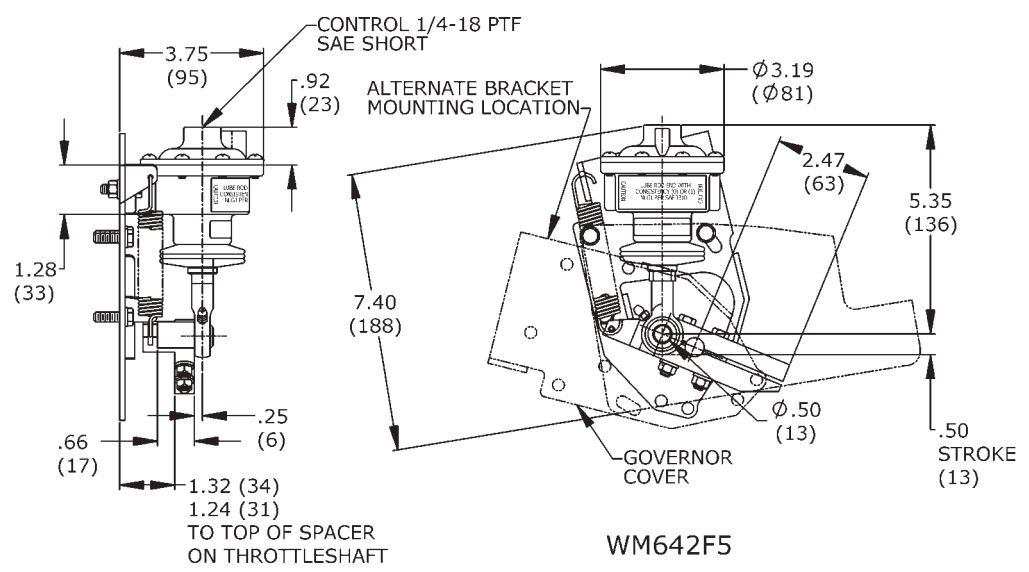
## Dimensional Data



**Dimensional Data (continued)**



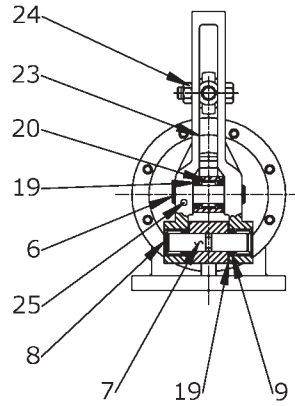
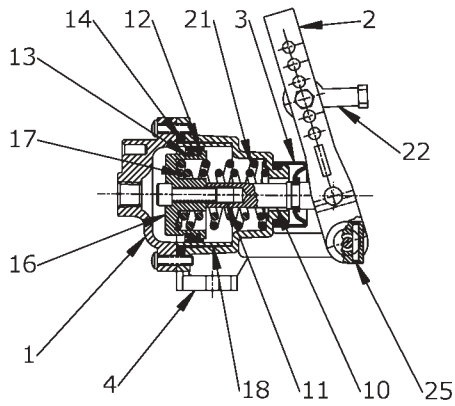
WM388U1C3D



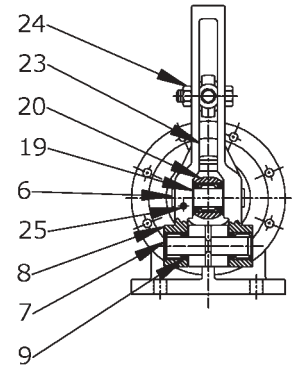
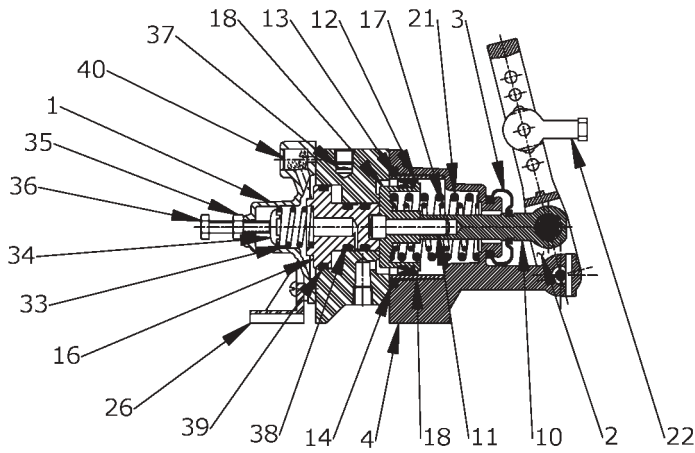
WM642F5

WM388U1A1A & WM642F5

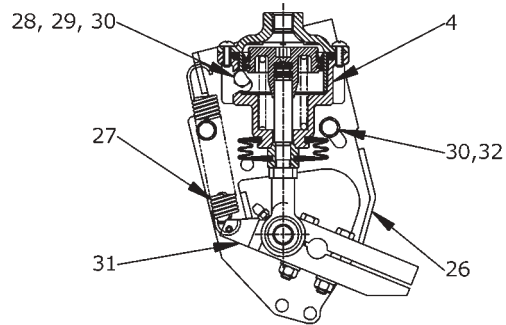
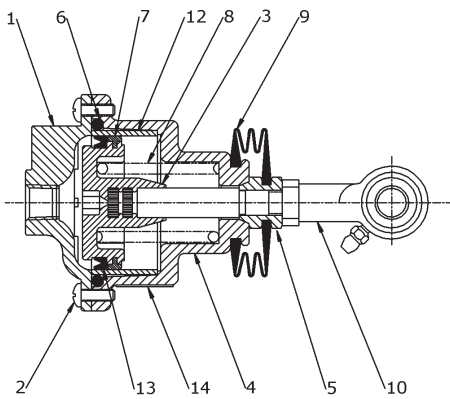
# Cross Section & Parts



WM388U1C1D, WM388U1C2B, WM388105



WM388U1C3D



WM388U1A1A, WM642F5

## Cross Section & Parts (continued)

Item	Part No.	Description	WM388U1C1D	WM388U1C2B	WM388105	WM388U1C3D	WM388U1A1A	WM642F5
1	118510	Cylinder Cover	1	1	1		1	1
1	119669	Cylinder Cover				1		
2	118198	Lever	1	1	1	1		
3	103214	Boot	1	1	1	1		
3	117204	Boot					1	1
4	—	Body	1	1	1	1		
4	—	Body					1	1
6	—	Pin	1	1	1	1		
7	—	Pin	1	1	1	1		
8	—	Needle Bearing	2	2	2	2		
9	—	O-ring	4	4	4	4		
10	118506	Rod End	1	1	1	1		
10	117456	Rod End					1	1
11	118508	Screw	1	1	1	1		
12	—	Wear Ring	1	1	1	1	1	1
13	—	U-Cup	1	1	1	1	1	1
14	—	O-Ring	1	1	1	1	1	1
16	—	Piston	1	1	1	1		
16	—	Piston					1	1
17	117885	Spring	1		1	1		
17	117877	Spring		1				
17	118572	Spring					1	1
18	—	Shell	1	1	1	1		
18	—	Shell					1	1
19	—	Washer	4	4	4	4		
20	—	Needle Bearing	1	1	1	1		
21	117883	Spring	1	1	1	1		
22	117855	Rod End	1	1		1		
23	114836	Screw	1	1		1		
24	114592	Nut	1	1		1		
25	118114	Pin	2	2	2	2		
26	105181	Bracket				1		
26	119050	Bracket						1
27	117404	Spring						1
28	114833	Screw						2
29	114535	Nut						2
30	—	Washer						5
31	—	Lever Assembly						1
32	114722	Screw						3
33	101631	Spring				1		
34	101700	Spring Cap				1		
35	114535	Nut				1		
36	114683	Screw				?		
37	—	Retaining Ring				1		
38	—	O-Ring				2		
39	—	O-Ring				1		
40	—	Filter Element				1		

Serviceable items are identified above.

## Service Kit Information

Service Kit	Part Number	Item Numbers
Repair kit for WM388U1C1D & WM388U1C2B	117775	3, 12, 13, 14, 18
Repair kit for WM388U1A1A, WM642F5	117612	3, 10, 12, 13, 14, 17, 18
Repair kit for WM388U1C3D	130203	3, 12, 13, 14, 18, 37, 38, 39, 40
Lever & body assembly kit for WM388U1C1D, WM388U1C2B, WM388105, WM388U1C3D	119153	2, 4, 7, 8, 9, 10, 19, 20, 25

## To Order

To order a WM388 or WM642 model, select part number from the chart below.

Model	Part Number	Pressure Range	FMVSS-124 Compliance	Special Features
WM388U1C1D	117888	0-25/35 PSI (w/o external spring)*	Yes, with customer supplied external spring*	Long lever w/rod end
WM388U1C2B	117886	0-55/60PSI	No	Long lever w/rod end
WM388105	117985	0-25/35 PSI (w/o external spring)*	Yes, with customer supplied external spring*	Long lever w/o rod end
WM388U1C3D	119667	0-25/35 PSI (w/o external spring)*	Yes, with customer supplied external spring*	Integral fast idle cylinder
WM388U1A1A	117402	0-25/35 PSI (w/o external spring)	Yes, when used in WM642 kit	
WM642F5	119151	0-55/60 PSI (w/spring supplied in kit)	Yes	Kit for Detroit Diesel V-71 & V-92TT

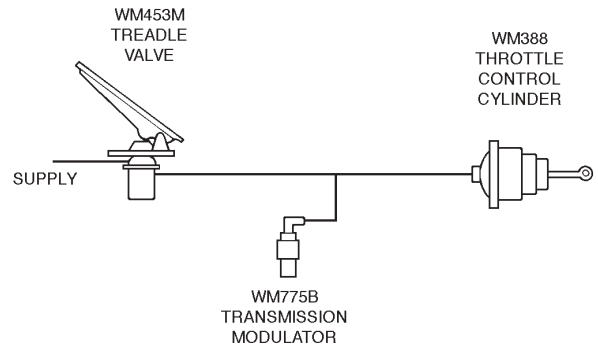
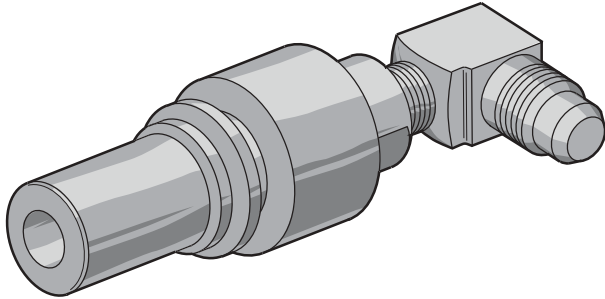
\*Customer supplied external spring must be installed so it acts on centerline of cylinder rod.

Required external spring forces: 10 lbs at idle, 72 lbs at full throttle.

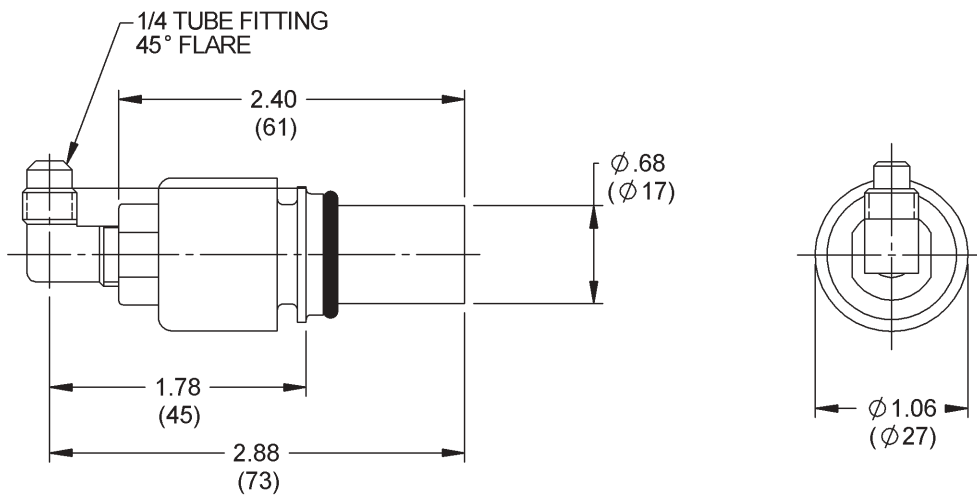
# WM775B Pneumatic Transmission Modulator

## Features and Specs

- FMVSS-124 approved
- Weight: 6 oz (0,18 kg)
- Port size: Accepts 1/4" I D hose with 45° SAE (37°JIC) fitting
- Maximum supply pressure: 75 PSI (517 kPa)
- Operating temperature: -20°F to 250°F (-29°C to 121°C)



## Dimensional Data



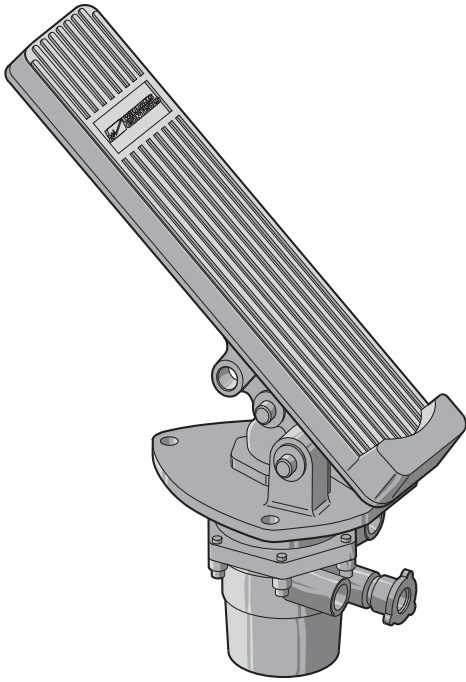
WM775B valves are low cost, non-serviceable items. No repair kit is available for these units.

## To Order

To order model WM775B, specify part number 117830.



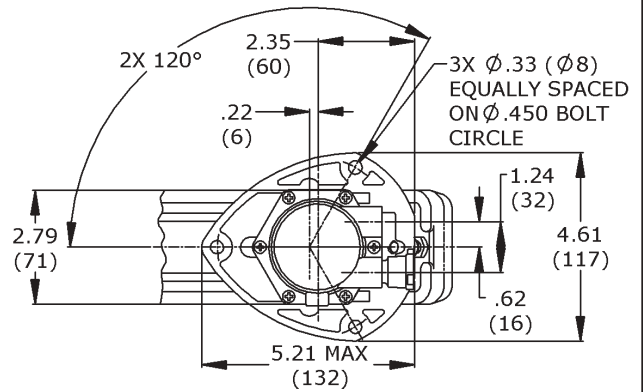
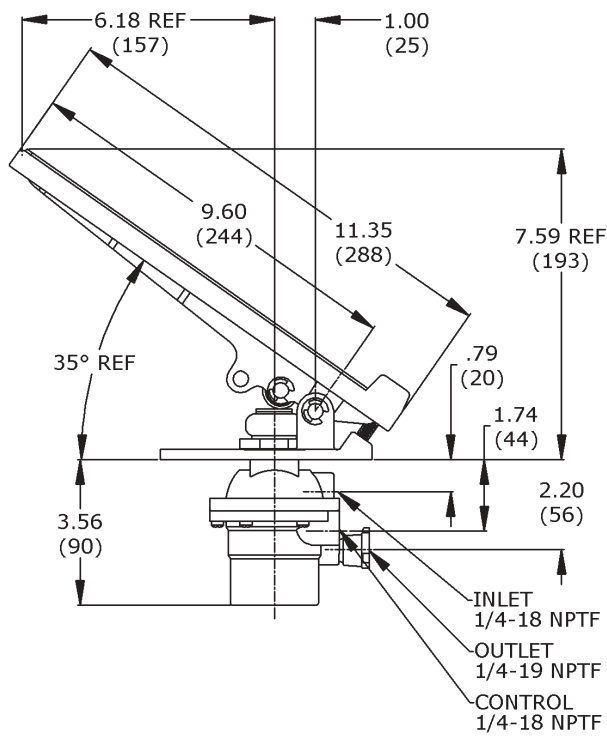
# WM453M & N Series Pneumatic Throttle Pedal



## Features and Specs

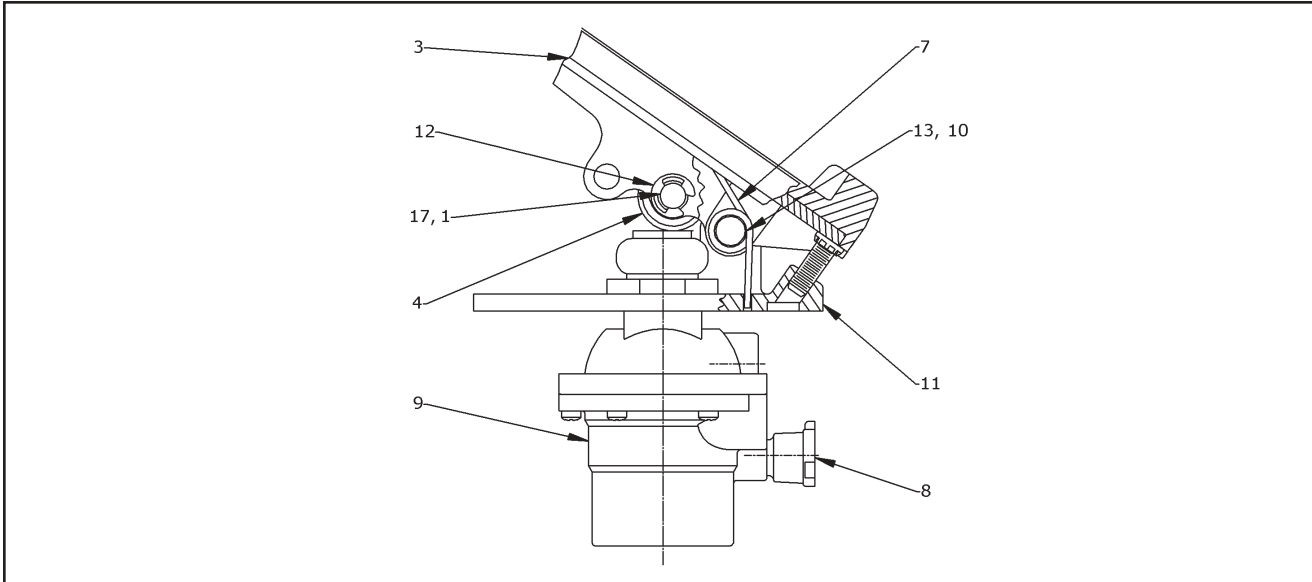
- FMVSS-124 approved
- Weight: 4 lb, 2 oz (1,9 kg)
- Port size: 1/4-18 NPTF
- Maximum supply pressure: 150 PSI (1034 kPa)
- Operating temperature: -40°F to 200°F (-40°C to 93°C)

## Dimensional Data



BOTTOM VIEW

## Cross Section & Parts



Item	Part No.	Description	WM453M	WM453M2	WM453M3	WM453N
1	102371	Treadle Pin	1	1	1	1
3	118775	Treadle Assembly	1	1	1	1
4	103113	Roller	1	1	1	1
7	103704	Spring	1	1	1	1
8	116714	Breather	1	1	1	1
9	116697	Control Valve	1	1	1	1
10	102374	Treadle Pin	1	1	1	1
11	116721	Mounting Plate	1	1	1	1
12	106857	Retaining Ring	4	4	4	4
13	110370	Bushing	2	2	2	2
17	118388	Bushing	2	2	2	2

Serviceable items are identified above.

## Service Kit Information

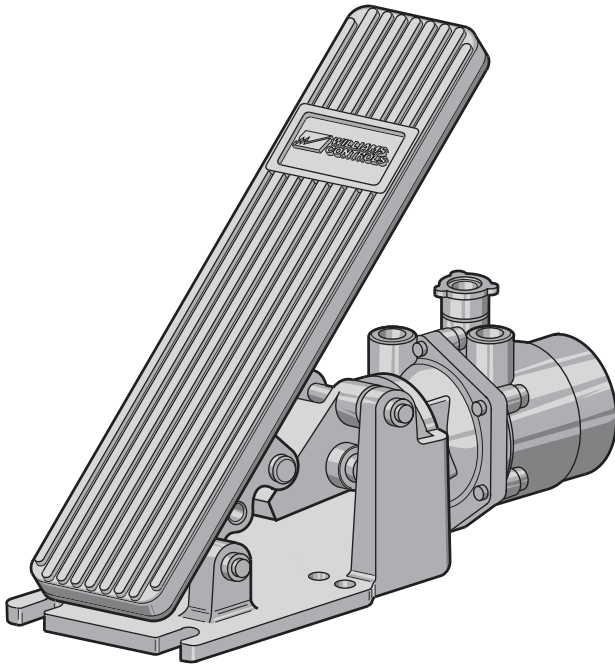
Kit	Service Kit Number	Item Numbers
Repair kit	117582	1, 4, 7, 10, 12, 13, 17
Control Valve (WM90DX)	116697	9

## To Order

To order a WM453M/N model, select part number from the chart below.

Model	Part Number	Regulated Output Range	Maximum Output	Treadle Length	Port Orientation
WM453M	116731	0-60/70 PSI (0-414/483 kPa)	70 PSI (483 kPa)	11.35 in (288 mm)	Toward Heel
WM453M2	117903	0-60/70 PSI (0-414/483 kPa)	70 PSI (483 kPa)	10.0 in (254 mm)	Toward Heel
WM453M3	118117	0-60/70 PSI (0-414/483 kPa)	70 PSI (483 kPa)	11.35 in (288 mm)	Toward Toe
WM453N	117270	0-85/95 PSI (0-586/655 kPa)	95 PSI (655 kPa)	11.35 in (288 mm)	Toward Heel

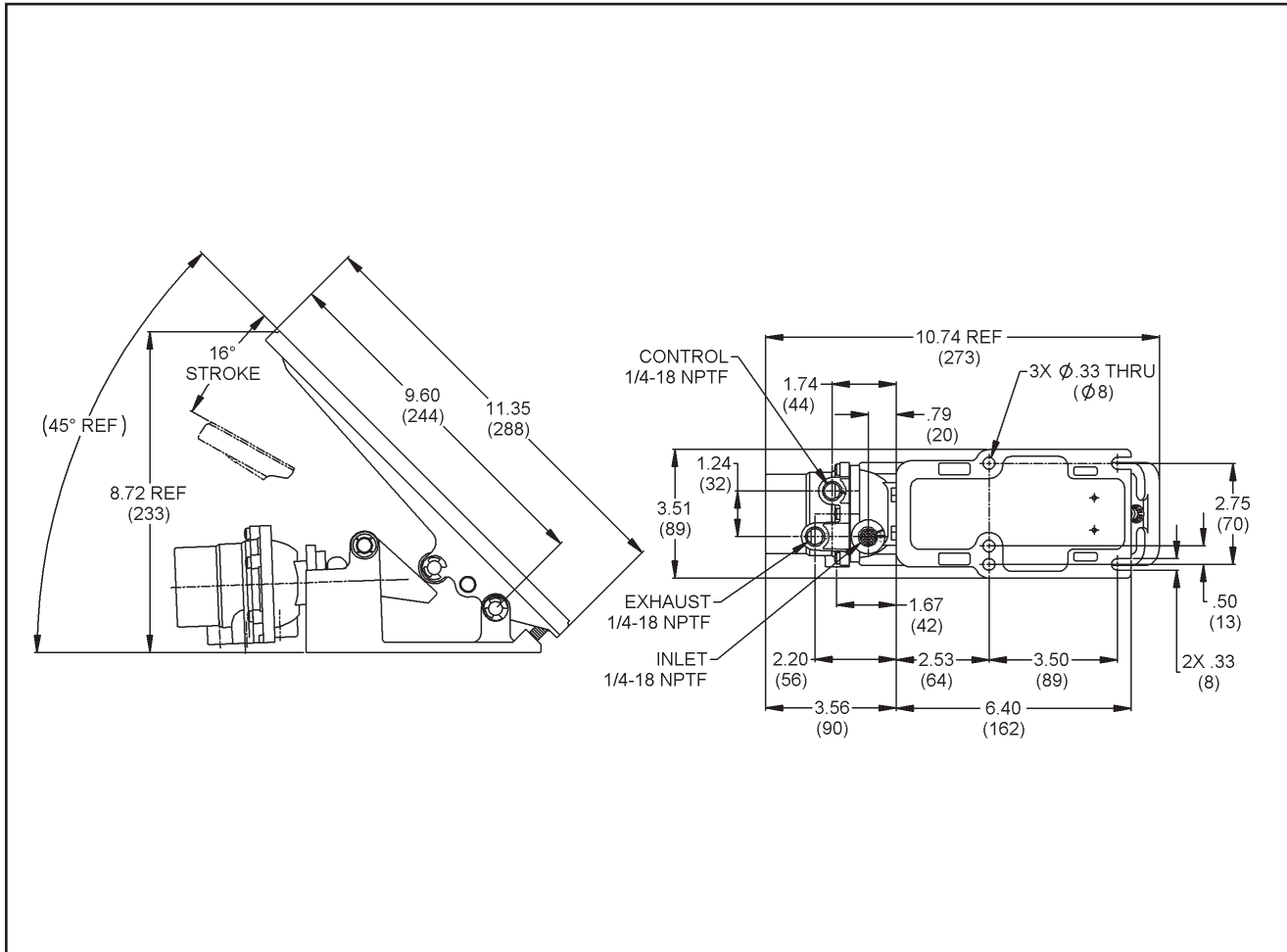
# WM476F Series Pneumatic Throttle Pedal



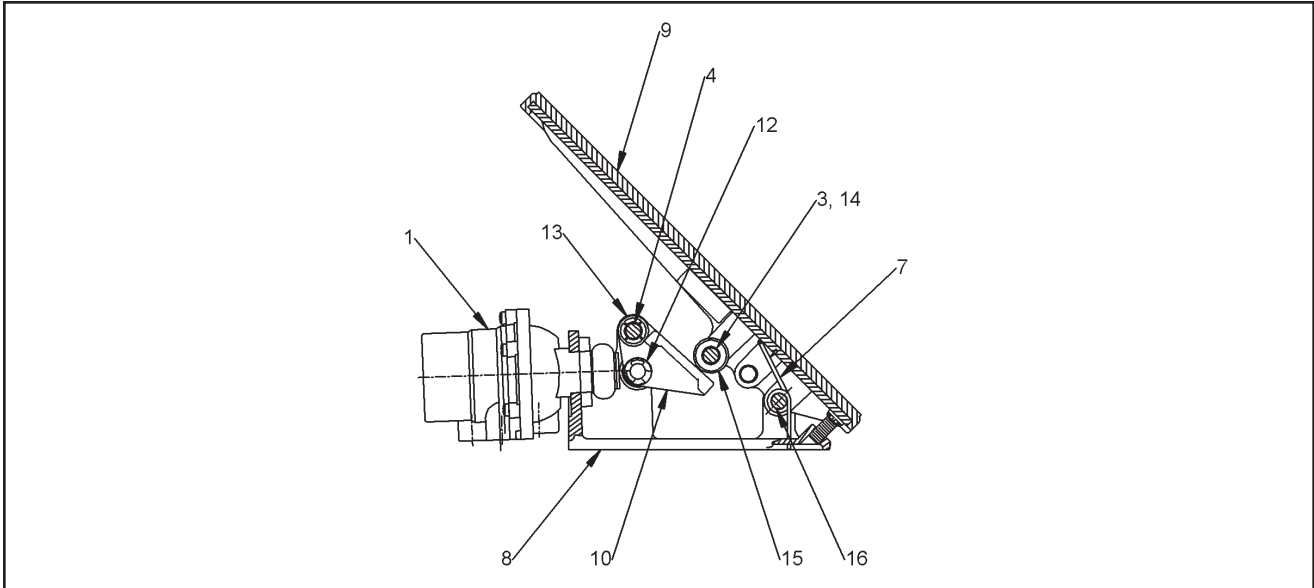
## Features and Specs

- FMVSS-124 approved
- Weight: 4 lb, 13 oz (2,2 kg)
- Port size: 1/4-18 NPTF
- Maximum supply pressure: 150 PSI (1034 kPa)
- Operating temperature: -40°F to 200°F (-40°C to 93°C)

## Dimensional Data



## Cross Section & Parts



Item	Part No.	Description	WM476F4A	WM476F5A1	WM476F5A2
1	116697	Control Valve	1	1	1
3	102371	Treadle Pin	2	2	2
4	117216	Treadle Pin	1	1	1
7	103704	Spring	1	1	1
8	119049	Treadle Base	1	1	1
9	118774	Treadle Assembly	1	1	1
10	117259	Transfer Lever	1	1	1
12	106857	Retaining Ring	8	8	8
13	110370	Bushing	4	4	4
14	118388	Bushing	4	4	4
15	104636	Roller	2	2	2
16	119162	Treadle Pin	1	1	1

Serviceable items are identified above.

## Service Kit Information

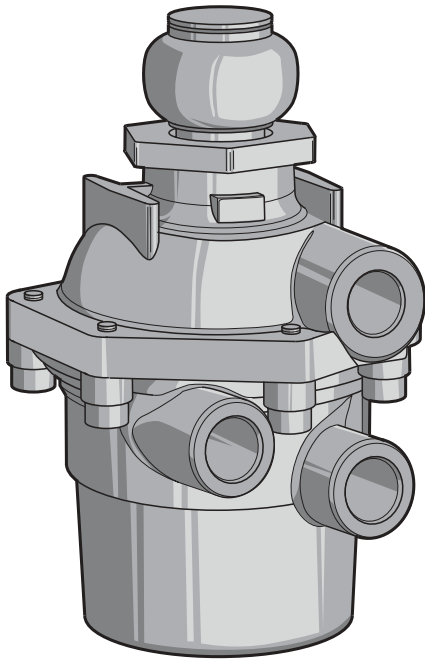
Kit	Service Kit Number	Item Numbers
Repair kit	117538	3, 4, 7, 12, 13, 14, 15, 16
Control valve (WM90DX)	116697	1

## To Order

To order a WM476F model, select part number from the chart below.

Model	Part Number	Control Valve	Regulated Output Range	Port Orientation
WM476F4A	117360	WM90DX 116697	0-60/70 PSI (0-414/483 kPa)	Toward Top
WM476F5A1	117209	WM90DX 116697	0-60/70 PSI (0-414/483 kPa)	Toward Bottom
WM476F5A2	130634	WM90DX2 117269	0-85/95 PSI (0-586/655 kPa)	Toward Side

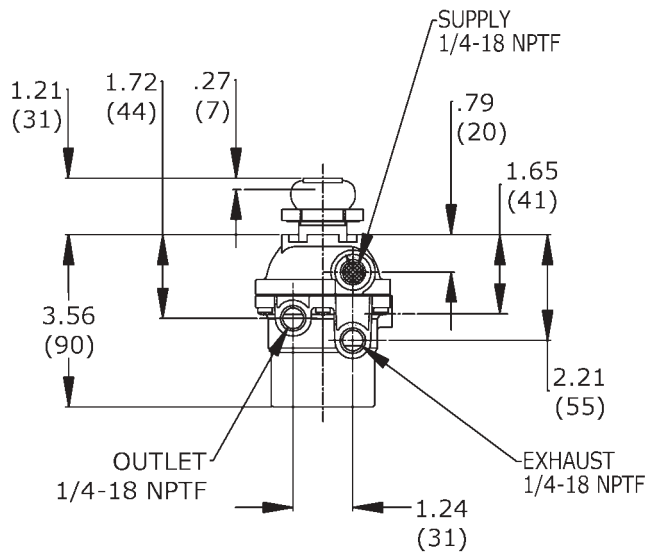
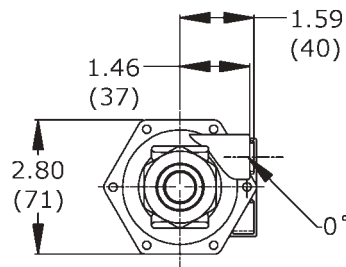
# WM90DX Fail-Safe Pneumatic Regulating Valve



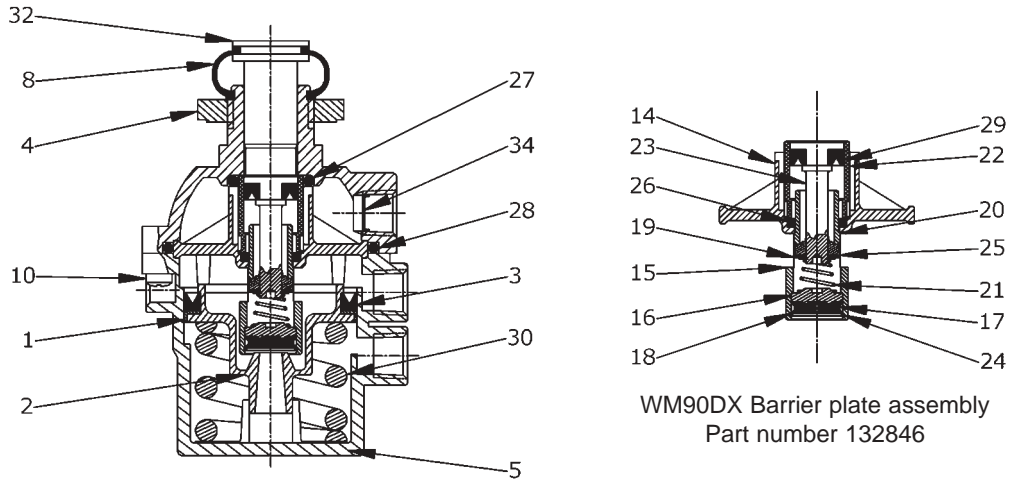
## Features and Specs

- FMVSS-124 approved.
- Weight: 1 lb, 15 oz (0,9 kg)
- Port size: 1/4-18 NPTF
- Maximum supply pressure: 150 PSI (1034 kPa)
- Operating temperature: -40°F to 200°F (-40°C to 93°C)

## Dimensional Data



## Cross Section & Parts



Item	Part No.	Description	WM90DX	WM90DX2
1	—	Thrust Ring	1	1
2	—	Balance Piston	1	1
3	—	U-Cup	1	1
4	101114	Mounting Nut	1	1
5	—	Washer	2	2
8	103039	Boot	1	1
10	—	Screw	6	6
14	—	Barrier Plate	1	1
15	—	Valve Cage	1	1
16	—	Support Plate	1	1
17	—	Poppet	1	1
18	—	Poppet Ring	1	1
19	—	Support Disc	1	1
20	—	Poppet	1	1
21	—	Spring	1	1
22	—	Cylinder Sleeve	1	1
23	—	Piston	1	1
24	—	Retaining Ring	1	1
25	—	Retaining Ring	1	1
26	—	O-Ring	1	1
27	—	O-Ring	1	1
28	—	O-Ring	1	1
29	—	U-Cup	1	1
30	—	Spring	1	1
32	—	Pushrod Assembly	1	1
34	—	Screen	1	1

Serviceable items are identified above.

## Service Kit Information

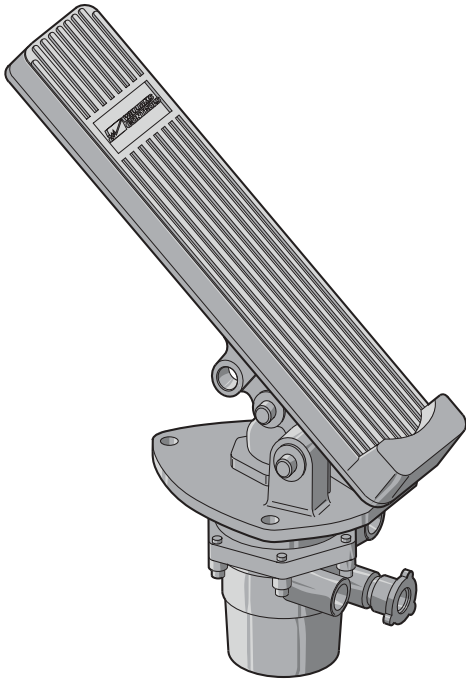
Kit	Service Kit Number	Item Numbers
Repair kit (includes Barrier plate assembly)	117103	Barrier plate assembly plus 3, 8, 10, 27, 28
Spring kit for WM90DX	118044	5, 30
Spring kit for WM90DX2	118036	5, 30

## To Order

To order a WM90DX model, select part number from the chart below.

Model	Part Number	Regulated Output Range
WM90DX	116697	0-60/70 PSI (0-414/483 kPa)
WMDX2	117269	0-60/70 PSI (0-414/483 kPa)

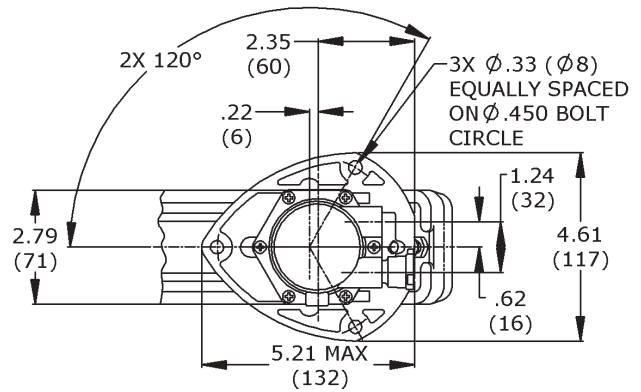
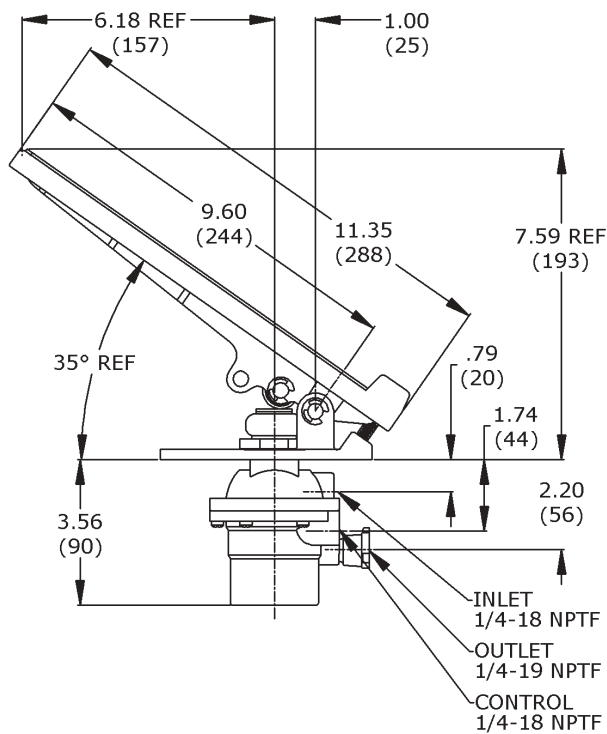
# WM453B & C Series Pneumatic Throttle Pedal



## Features and Specs

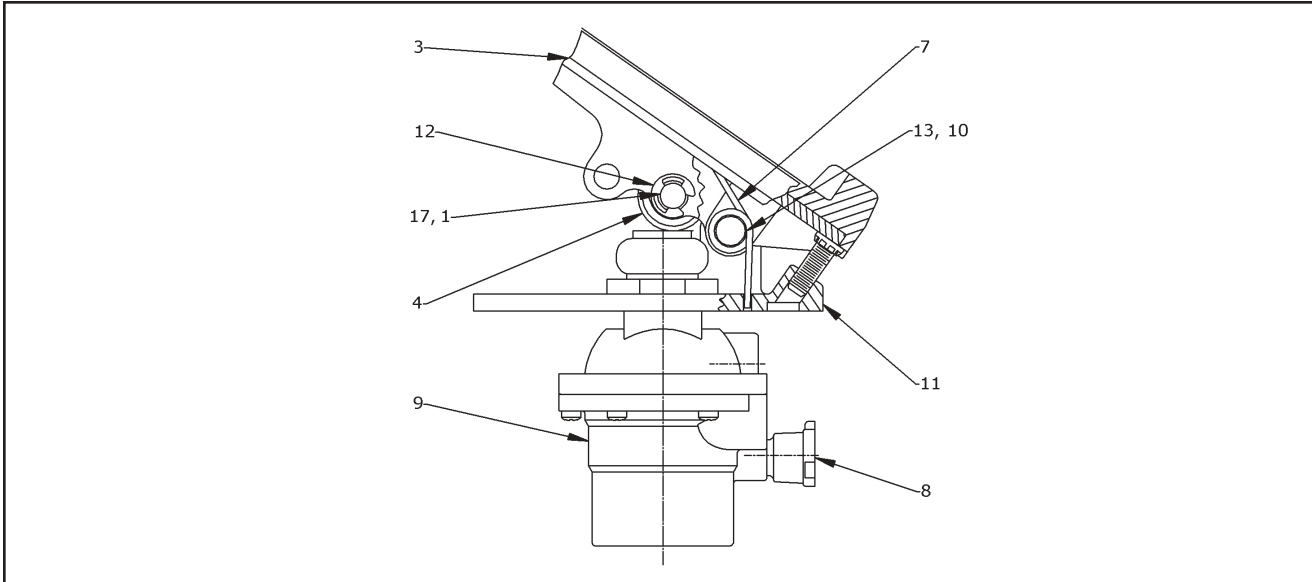
- Weight: 4 lb, 2 oz (1,9 kg)
- Port size: 1/4-18 NPTF
- For off-highway applications only
- Maximum supply pressure: 150 PSI (1034 kPa)
- Operating temperature: -40°F to 200°F (-40°C to 93°C)

## Dimensional Data



BOTTOM VIEW

## Cross Section & Parts



Item	Part No.	Description	WM453B	WM453C
1	102371	Treadle Pin	1	1
3	118775	Treadle Assembly	1	1
4	103113	Roller	1	1
7	103704	Spring	1	1
8	111411	WM111A Breather	1	1
9	111303	Control Valve		1
9	111304	Control Valve	1	
10	102374	Treadle Pin	1	1
11	116721	Mounting Plate	1	1
12	106857	Retaining Ring	4	4
13	110370	Bushing	2	2
17	118388	Bushing	2	2

Serviceable items are identified above.

## Service Kit Information

Kit	Service Kit Number	Item Numbers
Repair kit	117103	Barrier plate assembly plus 3, 8, 10, 27, 28
Control Valve (WM90DT for WM453B)	111304	9
Control Valve (WM90DM for WM453C)	111303	9

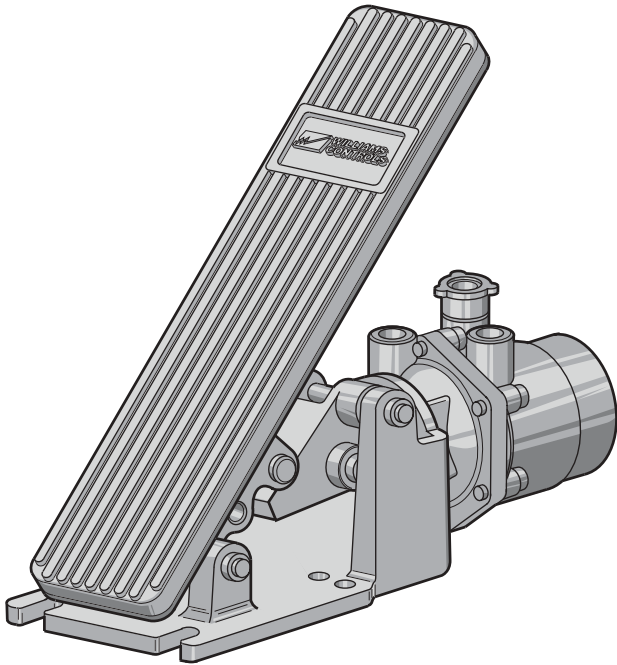
## To Order

To order a WM453B or C model, select part number from the chart below.

Model	Part Number	Regulated Output Range	Maximum Output
WM453B	113073	0-85/95 PSI (0-586/655 kPa)	95 PSI (655 kPa)
WM453C	117903	0-120-140 PSI (0-827-966 kPa)	140 PSI (966 kPa)



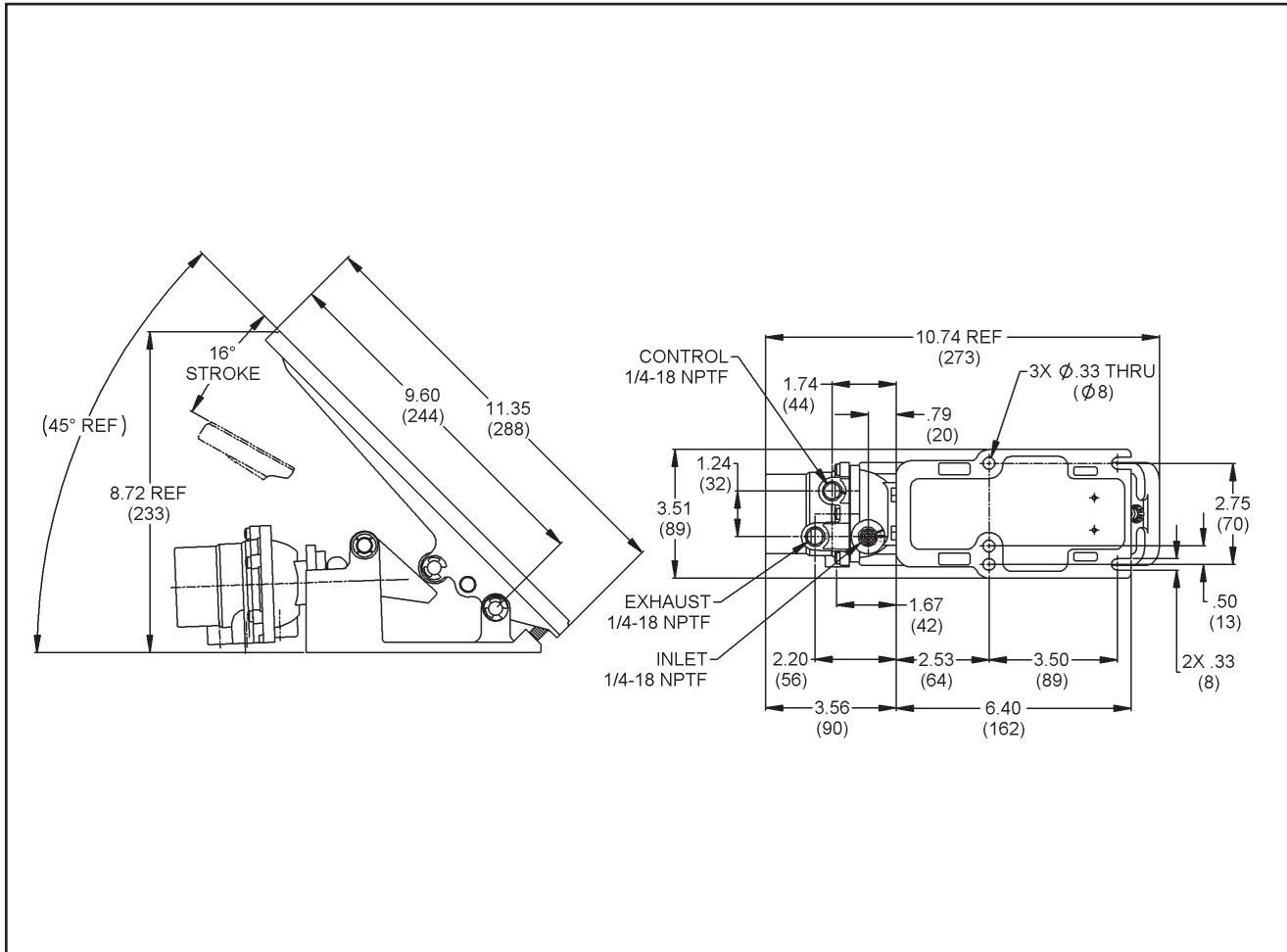
# WM476B & C Series Pneumatic Throttle Pedal



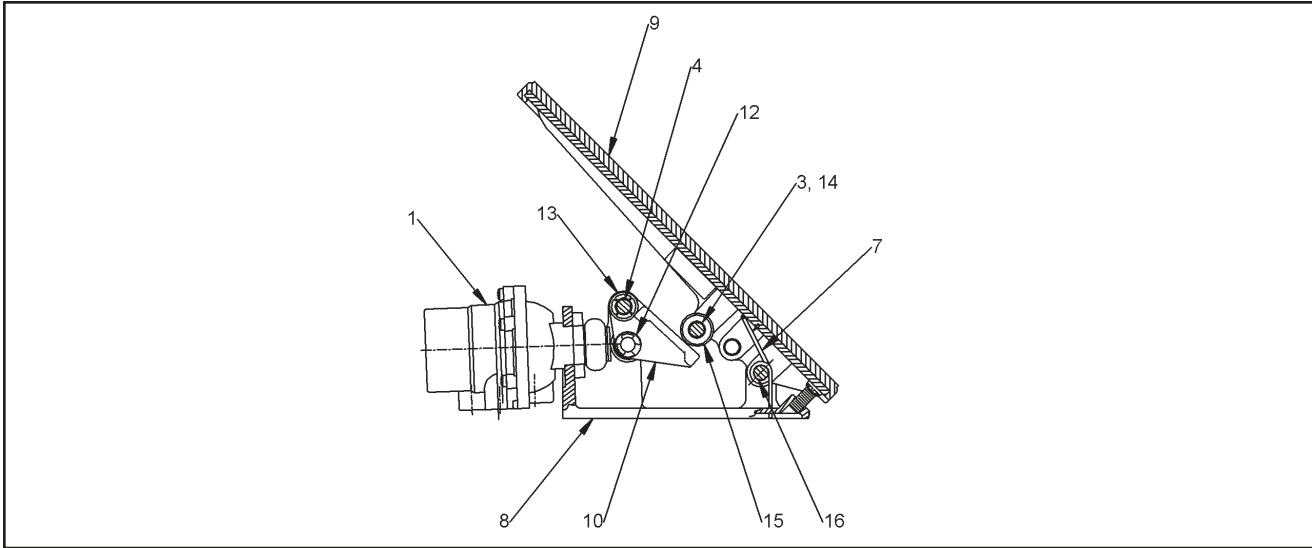
## Features and Specs

- Weight: 4 lb, 13 oz (2,2 kg)
- Port size: 1/4-18 NPTF
- For off-highway applications only
- Maximum supply pressure: 150 PSI (1034 kPa)
- Operating temperature: -40°F to 200°F (-40°C to 93°C)

## Dimensional Data



## Cross Section & Parts



Item	Part No.	Description	WM476B	WM476C
1	111304	Control Valve	1	
1	111301	Control Valve		1
3	102371	Treadle Pin	2	2
4	117216	Treadle Pin	1	1
7	103704	Spring	1	1
8	119049	Treadle Base	1	1
9	118775	Treadle Assembly	1	1
10	117259	Transfer Lever	1	1
12	106857	Retaining Ring	8	8
13	110370	Bushing	4	4
14	118388	Bushing	4	4
15	103113	Roller	2	2
16	119162	Treadle Pin	1	1

Serviceable items are identified above.

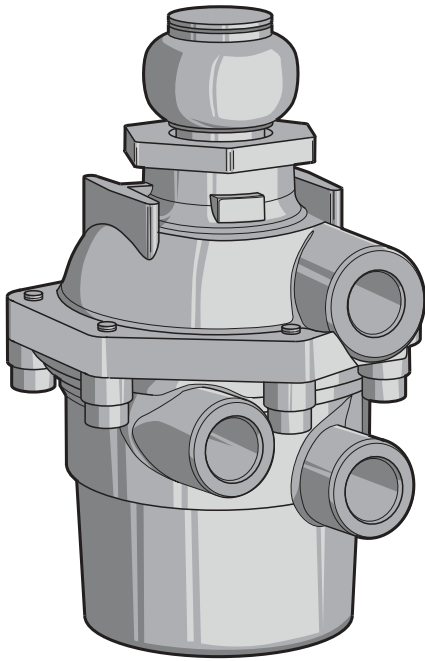
## Service Kit Information

Kit	Service Kit Number	Item Numbers
Repair kit	117103	Barrier plate assembly plus 3, 8, 10, 27, 28
Control Valve (WM90DT for WM476B)	111304	9
Control Valve (WM90DA for WM476C)	111301	9

## To Order

To order a WM476A, B or C model, select part number from the chart below.

Model	Part Number	Regulated Output Range	Maximum Output
WM476B	113259	0-85/95 PSI (0-586/655 kPa)	95 PSI (655 kPa)
WM476C	113260	0-110/130 PSI (0-758/896 kPa)	Equal to supply

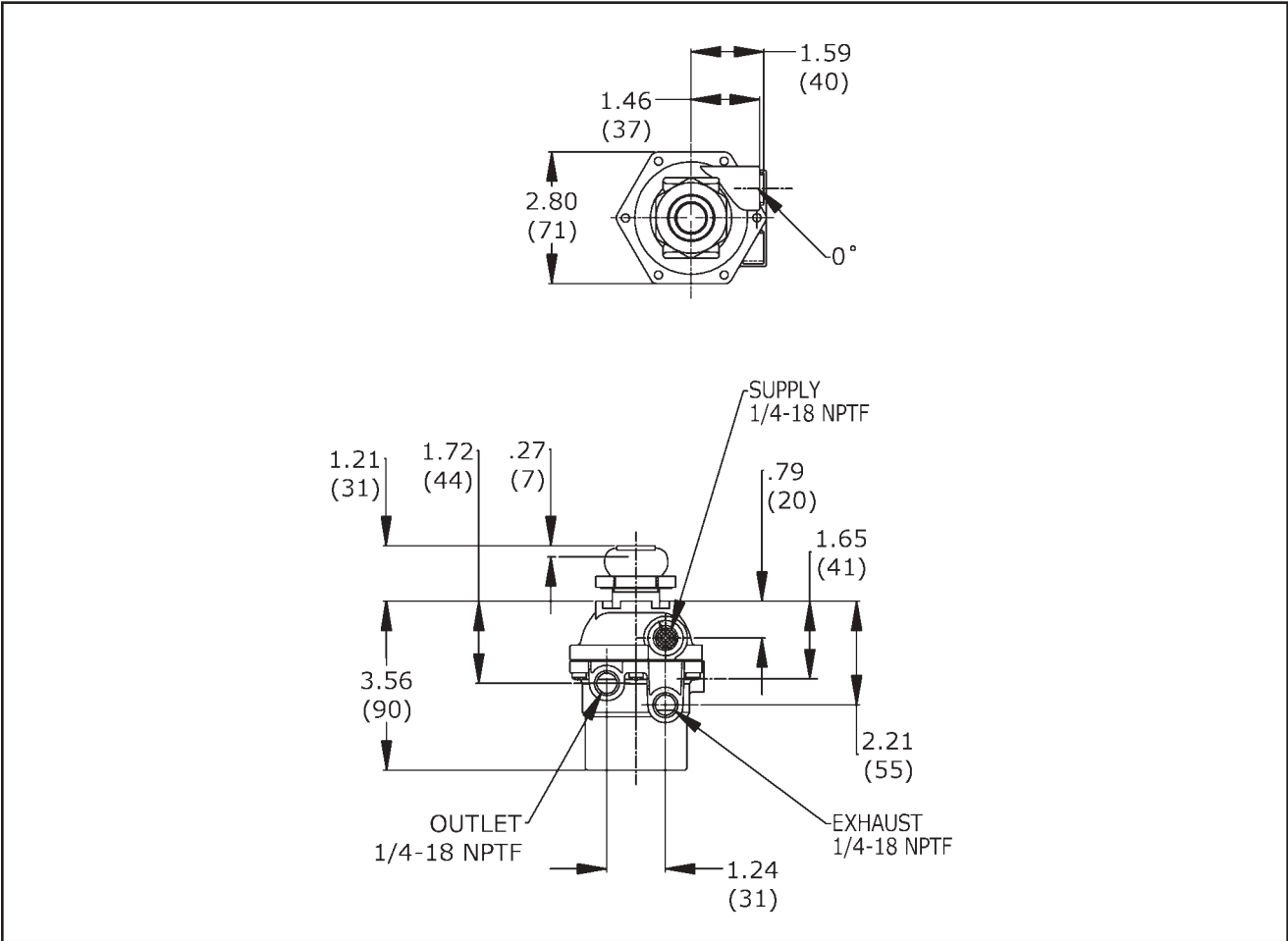


## WM90 Series Three-Way Regulating Valve

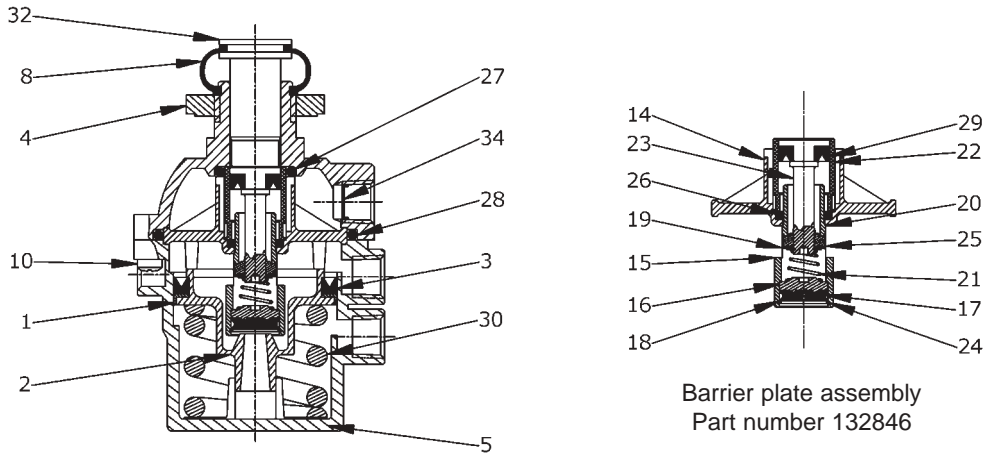
### Features and Specs

- Weight: 1 lb, 15 oz (0,9 kg)
- Port size: 1/4-18 NPTF
- For off-highway applications only
- Maximum supply pressure: 150 PSI (1034 kPa)
- Operating temperature: -40°F to 200°F (-40°C to 93°C)

### Dimensional Data



## Cross Section & Parts



Item	Part No.	Description	WM90A	WM90B	WM90BM	WM90D	WM90DA	WM90DB	WM90DM	WM90DT
1	—	Thrust Ring	1	1	1	1	1	1	1	1
2	—	Balance Piston	1	1	1	1	1	1	1	1
3	—	U-Cup	1	1	1	1	1	1	1	1
4	101114	Mounting Nut	1	1	1	1	1	1	1	1
5	—	Washer	2	2	2	2	2	2	2	2
8	103039	Boot	1	1	1	1	1	1	1	1
10	—	Screw	6	6	6	6	6	6	6	6
14	—	Barrier Plate	1	1	1	1	1	1	1	1
15	—	Valve Cage	1	1	1	1	1	1	1	1
16	—	Support Plate	1	1	1	1	1	1	1	1
17	—	Poppet	1	1	1	1	1	1	1	1
18	—	Poppet Ring	1	1	1	1	1	1	1	1
19	—	Support Disc	1	1	1	1	1	1	1	1
20	—	Poppet	1	1	1	1	1	1	1	1
21	—	Spring	1	1	1	1	1	1	1	1
22	—	Cylinder Sleeve	1	1	1	1	1	1	1	1
23	—	Piston	1	1	1	1	1	1	1	1
24	—	Retaining Ring	1	1	1	1	1	1	1	1
25	—	Retaining Ring	1	1	1	1	1	1	1	1
26	—	O-Ring	1	1	1	1	1	1	1	1
27	—	O-Ring	1	1	1	1	1	1	1	1
28	—	O-Ring	1	1	1	1	1	1	1	1
29	—	U-Cup	1	1	1	1	1	1	1	1
30	—	Spring	1	1	1		1		1	
30	—	Spring				1				1
30	—	Spring						1		
31	—	Inlet Body	1							
32	117812	Pushrod Assembly	1	1	1	1	1	1	1	1
34	—	Screen	1	1	1	1	1	1	1	1

Serviceable items are identified above.

## Service Kit Information

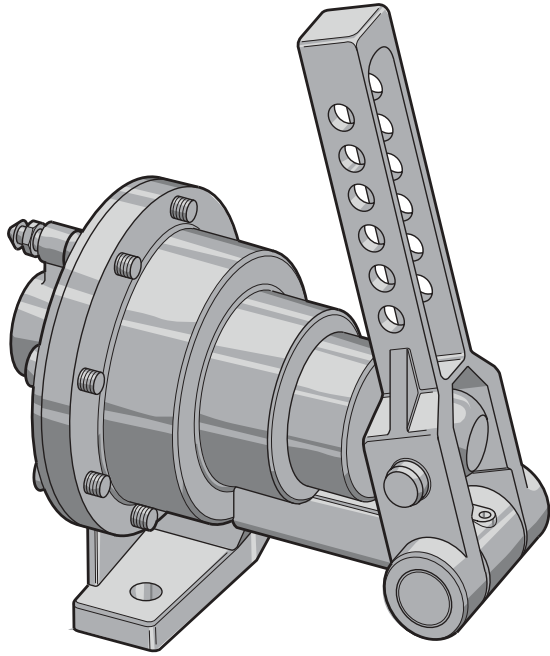
Kit	Service Kit Number	Item Numbers
Repair kit (includes Barrier plate assembly)	117103	Barrier plate assembly plus 3, 8, 10, 27, 28
Spring kit for WM90A, B, BM, DA, DM	118035	5, 30
Spring kit for WM90DB, DT	118036	5, 30
Spring kit for WM90D	118044	5, 30

## To Order

To order a WM90 model, select part number from the chart below.

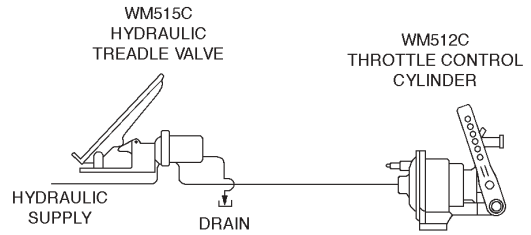
Model	Part Number	Output Range	Maximum Output	Stroke S	Height H	Balance Spring Replacement Kit
WM90A	111276	0-120 PSI (0-827 kPa)	Tank	0.38 in (10 mm)	1.38 in (35 mm)	118035
WM90B	111285	0-110 PSI (0-759 kPa)	110 PSI (759 kPa)	0.38 in (10 mm)	1.38 in (35 mm)	118035
WM90BM	111292	0-115 PSI (0-794 kPa)	130 PSI (896 kPa)	0.34 in (9 mm)	1.38 in (35 mm)	118035
WM90D	111300	0-55 PSI (0-380 kPa)	65 PSI (449 kPa)	0.34 in (9 mm)	1.19 in (30 mm)	118044
WM90DA	111301	0-110 PSI (0-759 kPa)	Tank	0.38 in (10 mm)	1.38 in (35 mm)	118035
WM90DB	111302	0-75 PSI (0-518 kPa)	80 PSI (587 kPa)	0.34 in (9 mm)	1.25 in (32 mm)	118036
WM90DM	111303	0-120 PSI (0-828 kPa)	140 PSI (966 kPa)	0.34 in (9 mm)	1.19 in (30 mm)	118035
WM90DT	111304	0-85 PSI (0-587 kPa)	95 PSI (656 kPa)	0.34 in (9 mm)	1.19 in (30 mm)	118036

# WM512C Hydraulic Throttle Cylinder

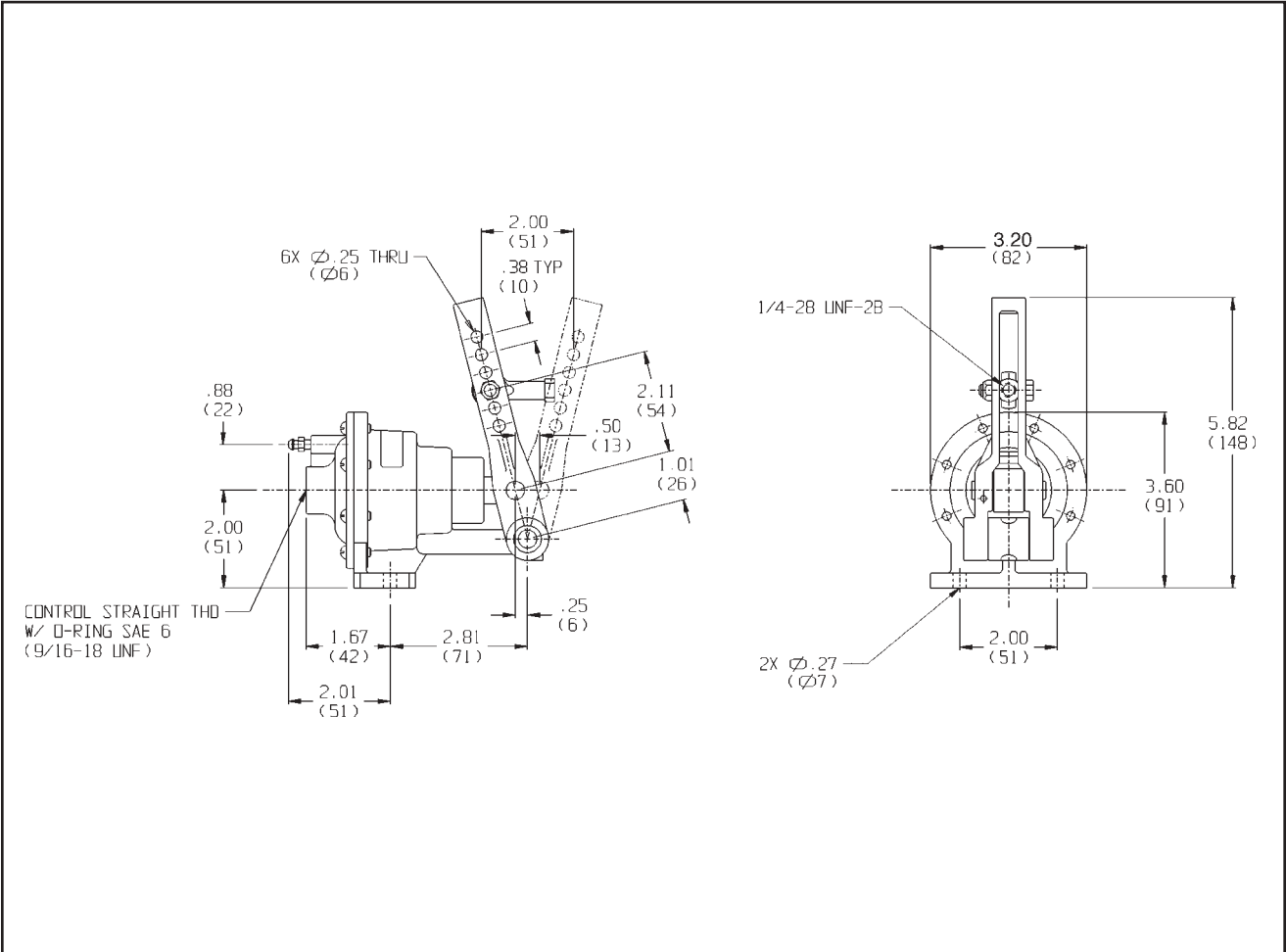


## Features and Specs

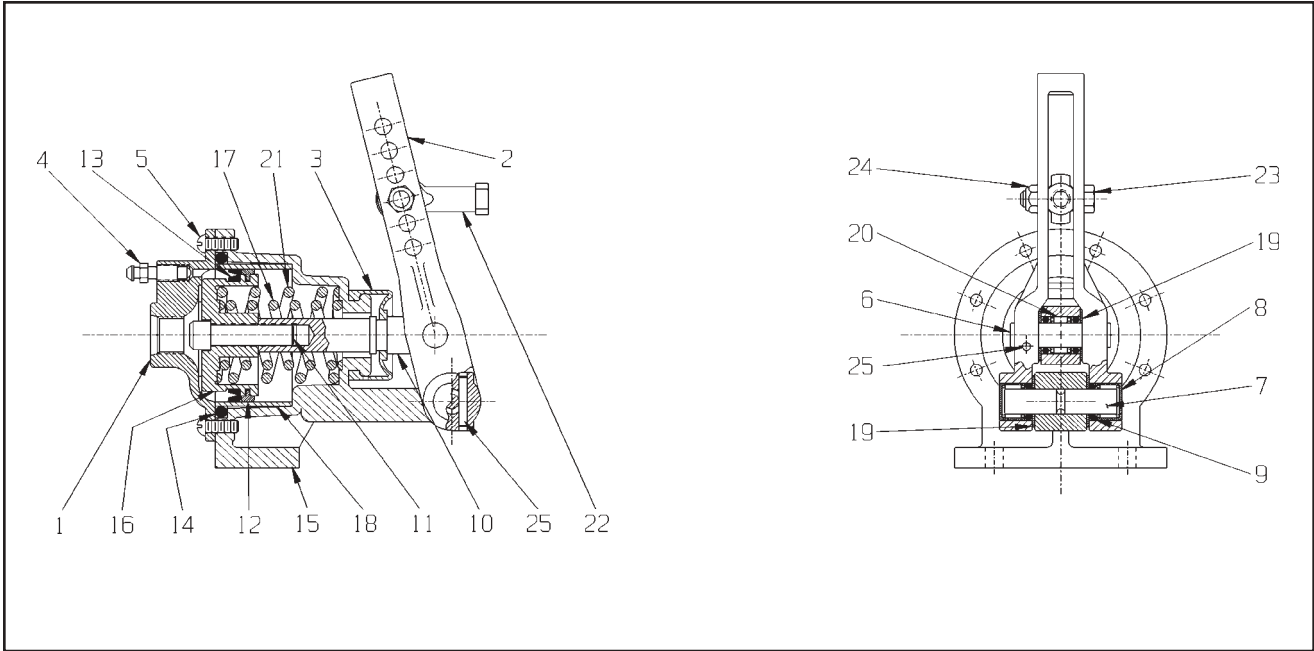
- Port size: SAE 6 (9/16-18 UNF) straight thread with o-ring
- For off-highway applications only
- Weight: 1 lb, 13 oz (0,8 kg)
- Maximum operating pressure: 300 PSI (2068 kPa)
- Operating temperature: -20°F to 200°F (-29°C to 93°C)



## Dimensional Data



## Cross Section & Parts



Item	Part No.	Description	WM512C
2	—	Lever	1
3	103214	Boot	1
6	—	Pin	1
7	—	Pin	1
8	—	Needle Bearing	2
9	—	O-ring	4
10	—	Rod End	1
11	—	Screw	1
12	—	Wear Ring	1
13	—	U-Cup	1
14	—	O-Ring	1
15	—	Body	1
16	—	Piston	1
17	117877	Spring	1
19	—	Washer	4
20	—	Needle Bearing	1
21	119435	Spring	1
22	117855	Rod End	1
23	—	Screw	1
24	—	Nut	1
25	—	Pin	2

Serviceable items are identified above.

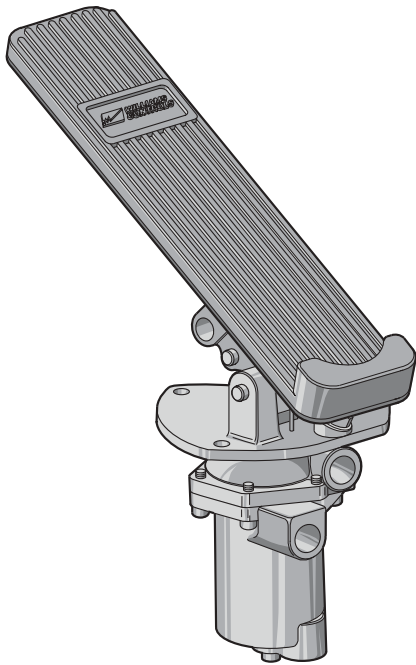
## Service Kit Information

Kit	Service Kit Number	Item Numbers
Repair kit	119280	3, 12, 13, 14
Lever body assembly kit	119153	2, 7, 8, 9, 10, 15, 19, 20, 25

## To Order

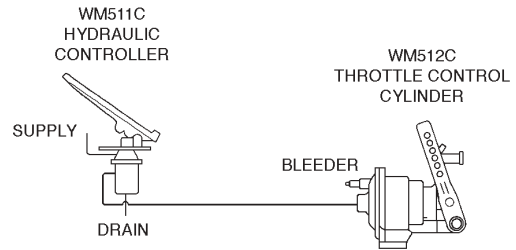
To order model WM512C, specify part number 119436.

# WM511 Series Hydraulic Proportional Pedal

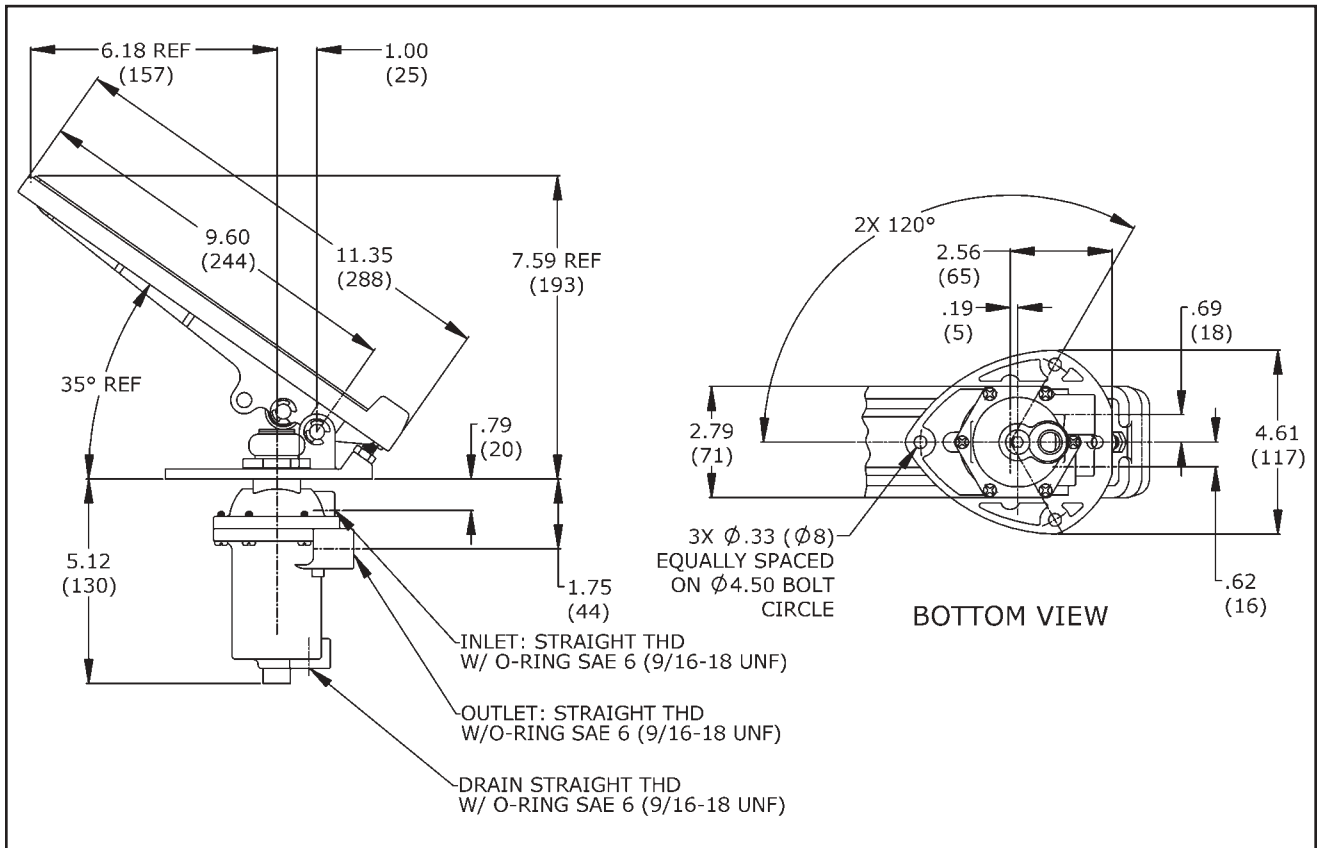


## Features and Specs

- Port size: SAE 6 (9/16-18 UNF) straight thread with o-ring
- For off-highway applications only
- Weight: 4 lb, 3 oz (1,9 kg)
- Maximum operating pressure: 300 PSI (2068 kPa)
- Operating temperature: -20°F to 200°F (-29°C to 93°C)

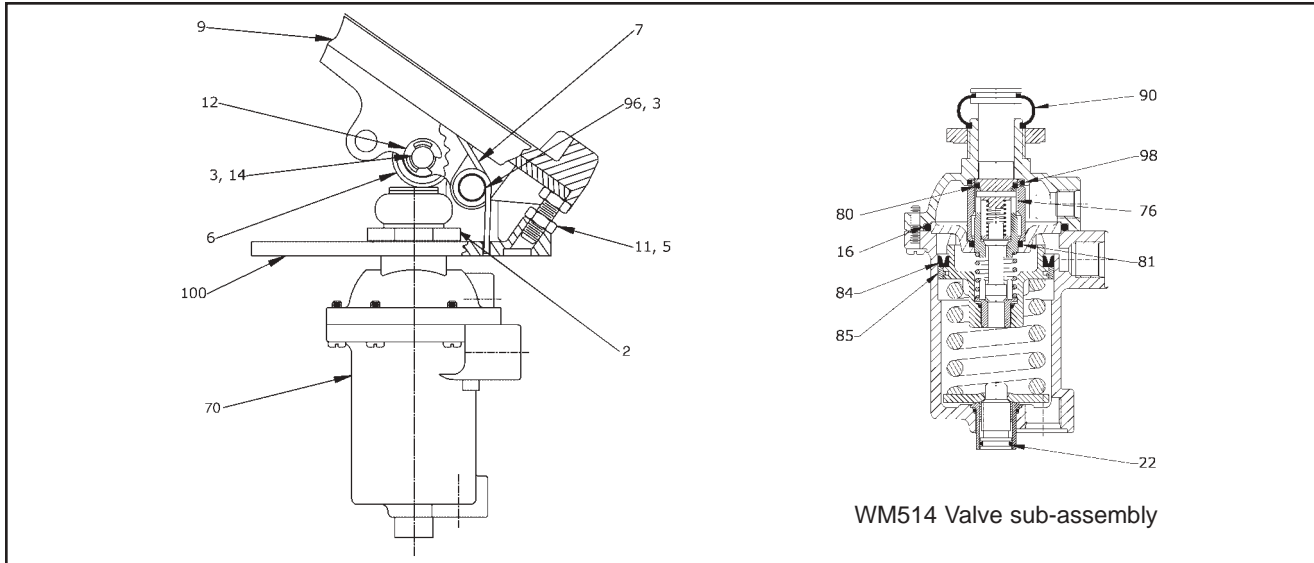


## Dimensional Data





## Cross Section & Parts



Item	Part No.	Description	WM511C	WM511H
2	101114	Nut	1	1
3	102371	Treadle Pin	2	2
5	—	Jam Nut	1	1
6	103113	Roller	1	1
7	103704	Spring	1	1
9	118775	Treadle Assembly	1	1
11	—	Screw	1	1
12	106857	Snap Ring	4	4
13	110370	Bushing	2	2
14	118388	Bushing	2	2
16	—	O-Ring	1	1
22	—	O-Ring	1	1
70	119128	WM514C Valve sub-assembly	1	
70	131635	WM514H Valve sub-assembly		1
76	—	O-Ring	1	1
80	—	Backup Ring	1	1
81	—	O-Ring	1	1
84	—	U-Cup	1	1
85	—	Wear Ring	1	1
96	102374	Treadle Pin	1	1
98	—	O-Ring	1	1
99	103039	Boot	1	1
100	116721	Mounting Plate	1	1

Serviceable items are identified above.

## Service Kit Information

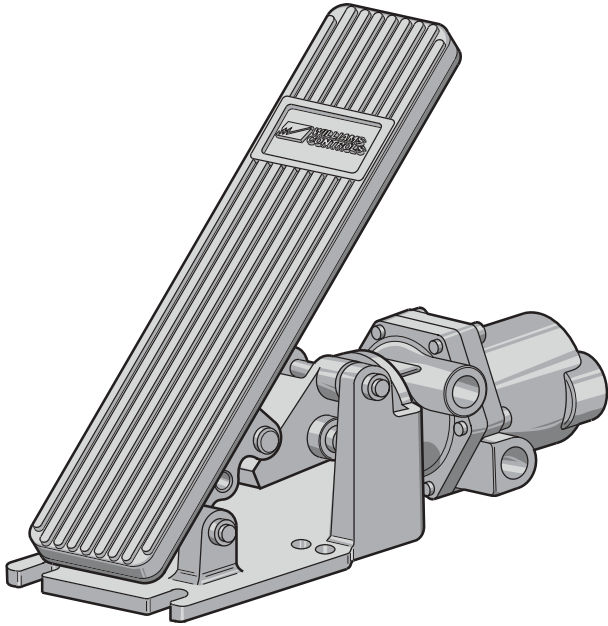
Kit	Service Kit Number	Item Numbers
Repair kit	119305	16, 22, 76, 80, 81, 84, 85, 90, 98
WM514C Valve sub-assembly	119128	Includes all components below mounting plate
WM514H Valve sub-assembly	119131	Includes all components below mounting plate

## To Order

To order a WM511 model, select part number from the chart below.

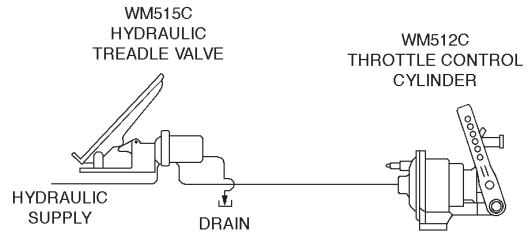
Model	Part Number	Output Range
WM511C	119130	30-100 PSI (276-690 kPa)
WM511H	131635	50-250 PSI (345-1725 kPa)

# WM515 Series Hydraulic Proportional Pedal

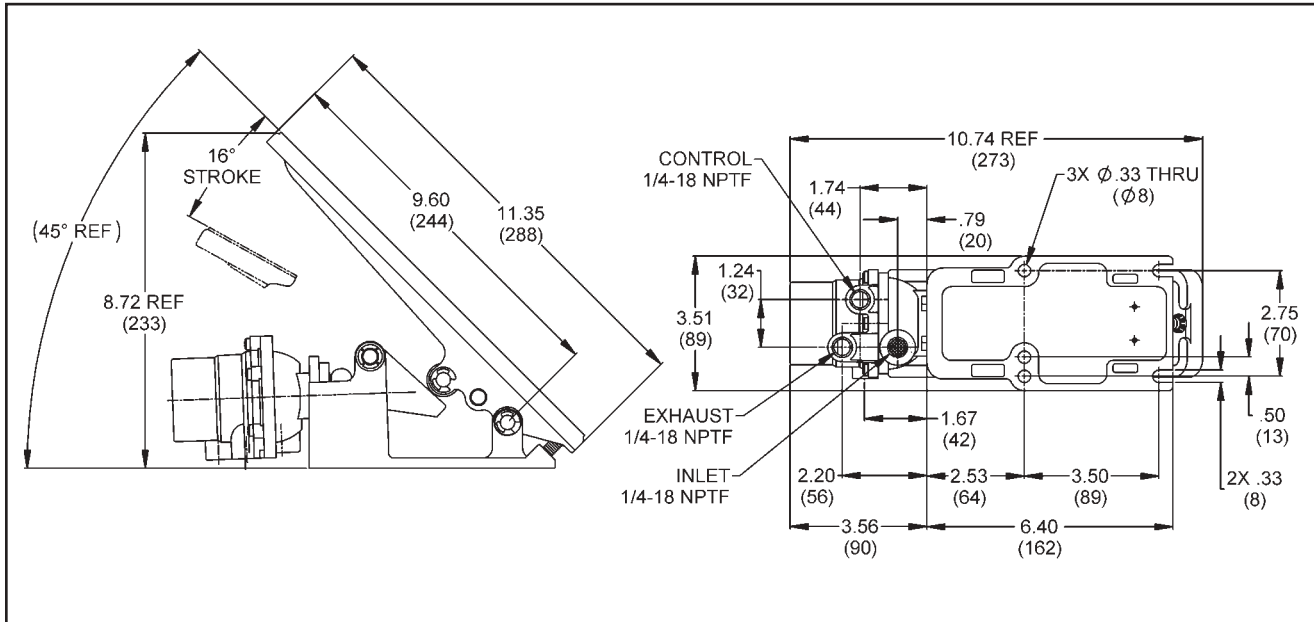


## Features and Specs

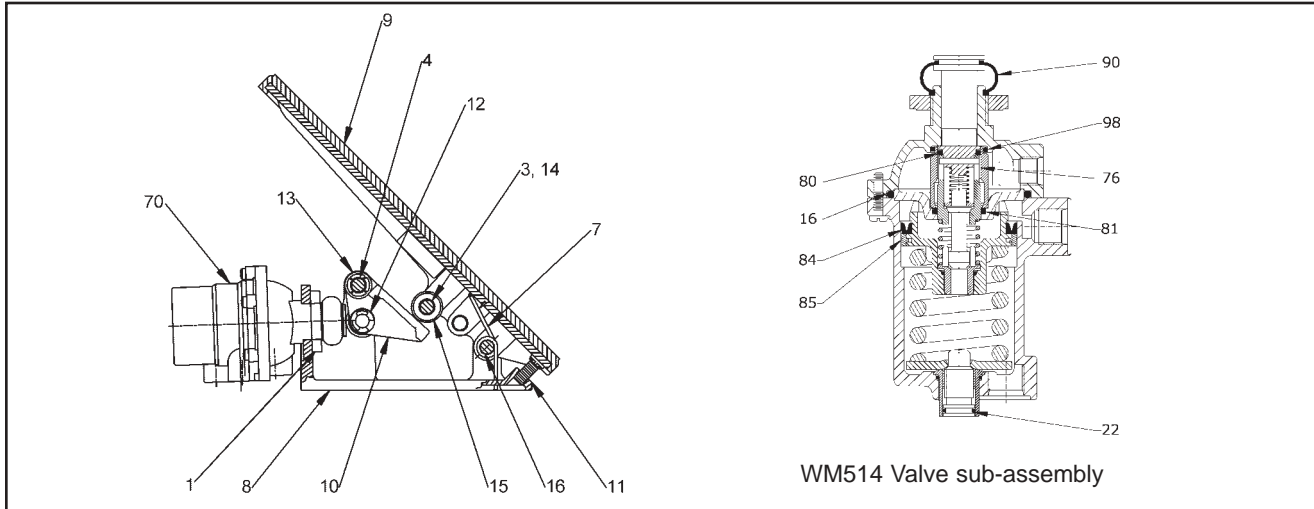
- Port size: SAE 6 (9/16-18 UNF) straight thread with o-ring
- For off-highway applications only
- Weight: 4 lb, 15 oz (2,3 kg)
- Maximum operating pressure: 300 PSI (2068 kPa)
- Operating temperature: -20°F to 200°F (-29°C to 93°C)



## Dimensional Data



## Cross Section & Parts



Item	Part No.	Description	WM515C	WM515H
1	101114	Jam Nut	1	1
3	102371	Pin	2	2
4	117216	Pin	1	1
6	104636	Roller	2	2
7	103704	Spring	1	1
8	119049	Treadle Base	1	1
9	118774	Treadle Assembly	1	1
10	117259	Transfer Lever	1	1
11	—	Screw	1	1
12	106857	Snap Ring	8	8
13	110370	Bushing	4	4
14	118388	Bushing	4	4
16	—	O-Ring	1	1
22	—	O-Ring	1	1
70	119128	WM514C Valve Sub-assembly	1	
70	119131	WM514H Valve Sub-assembly		1
76	—	O-Ring	1	1
80	—	Backup Ring	1	1
81	—	O-Ring	1	1
84	—	U-Cup	1	1
85	—	Wear Ring	1	1
96	—	Pin	1	1
98	—	O-Ring	1	1
99	103090	Boot	1	1

Serviceable items are identified above.

## Service Kit Information

Kit	Service Kit Number	Item Numbers
Repair kit	119305	16, 22, 76, 80, 81, 84, 85, 90, 98
WM514C Valve sub-assembly for WM515C	119128	Includes all components below mounting plate
WM514H Valve sub-assembly for WM515H	119131	Includes all components below mounting plate

## To Order

To order a WM515 model, select part number from the chart below.

Model	Part Number	Output Range
WM515C	119129	30-100 PSI (276-690 kPa)
WM515H	119132	50-250 PSI (345-1725 kPa)



14100 SW 72nd Avenue  
Portland, Oregon 97224 USA  
(503) 684-8600  
(503) 684-8610 Fax

Toll free in U.S. (800) 547-1889

[www.williamscontrols.com](http://www.williamscontrols.com)

Document Number 119742 Rev. G 11/03  
© 2003 by Williams Controls