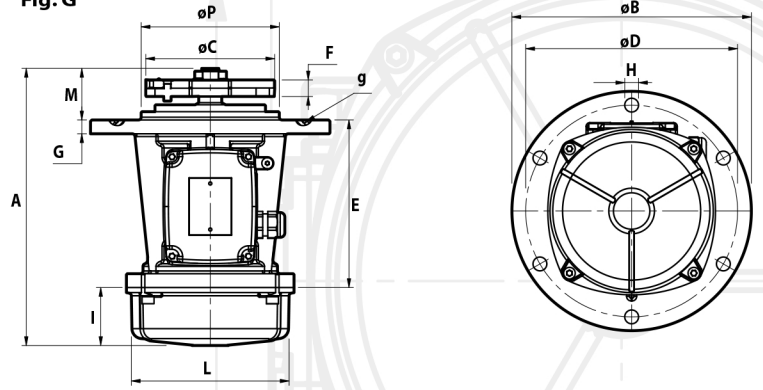


## 2 poli - 3000/3600 rpm

Descrizione		Ex		Caratteristiche meccaniche						Caratteristiche elettriche							
Codice	Tipo	GR	SFA	I12D Classe temp.	Forza centrifuga (A/B)*				Peso		Potenza ass. max		Corrente max		Ia/In		
					kg	60 Hz	50 Hz	60 Hz	50 Hz	60 Hz	50 Hz	60 Hz	400 V 50 Hz	460 V 60 Hz	50 Hz	60 Hz	
trifase	600375	MTF 3/65-S02	00	-	120°C	31/31	44/44	0.30/0.30	0.43/0.43	5.40	5.40	120	120	0.27	0.23	3.43	3.90
	600369	MTF 3/200-S02	01	•	120°C	106/75	109/109	1.04/0.74	1.07/1.07	7.50	7.30	180	180	0.35	0.30	2.68	3.00
	600370	MTF 3/300-S02	10	•	120°C	151/103	148/148	1.48/1.01	1.45/1.45	11.2	10.9	260	270	0.60	0.50	3.47	4.20
	600378	MTF 3/500-S02	20	•	120°C	251/163	235/235	2.46/1.60	2.30/2.30	15.0	14.1	450	500	0.80	0.75	4.21	4.80
	600456	MTF 3/650-S02	20	•	120°C	393/251	377/235	3.85/2.46	3.70/2.30	15.2	14.3	450	500	0.80	0.75	4.21	4.80
	600380	MTF 3/800-S02	30	•	120°C	393/262	377/377	3.85/2.57	3.70/3.70	17.0	16.5	650	685	1.10	1.00	3.83	6.00
	600285	MTF 3/1100-S90 Δ	40	-	120°C	590/590	566/566	5.79/5.79	5.55/5.55	26.0	25.0	940	1130	1.70	1.60	6.79	7.00
monofase	600375	MTF 3/65-S02	00	-	120°C	31/31	44/44	0.30/0.30	0.43/0.43	5.40	5.40	110	110	0.56	1.52	2.24	2.24
	600369	MTF 3/200-S02	01	-	120°C	106/75	109/109	1.04/0.74	1.07/1.07	7.50	7.30	165	165	0.75	1.52	1.67	2.24
	600370	MTF 3/300-S02	10	-	120°C	151/103	148/148	1.48/1.01	1.45/1.45	11.2	10.9	280	280	1.25	2.40	2.48	3.52
	600378	MTF 3/500-S02	20	-	120°C	251/163	235/235	2.46/1.60	2.30/2.30	15.0	14.1	500	500	2.30	4.50	3.35	4.22
	600456	MTF 3/650-S02	20	-	120°C	393/251	377/235	3.85/2.46	3.70/2.30	15.2	14.3	500	500	2.30	4.50	3.35	4.22
	600380	MTF 3/800-S02	30	-	120°C	393/262	377/377	3.70/2.57	5.55/5.55	17.0	16.5	700	750	3.25	7.00	4.00	4.14
														220 V 50 Hz	115 V 60 Hz		



Fig. G



Caratteristiche dimensionali (mm)

Tipo	Fig.	A	øB	øC	Fori				E	F	G	I	L	M	øP	Condensatore (µF)		Pressacavo	Guarnizione g
					øD	øH	N°	220 V 50 Hz								115 V 60 Hz			
MTF 3/65-S02	G	189	130	86	109	8.5	4	132	7.5	10	36	96	22	-	-	-	M20x1,5	OR 3350	
MTF 3/200-S02	G	225.5	211.5	92	188	12	4	144	21 (50Hz) 15 (60Hz)	10	58	103	23.5	-	-	-	M20x1,5	OR 4650	
MTF 3/300-S02	G	247	215	110	187	12	4	179.5	18 (50Hz) 12 (60Hz)	13	54	127	13.5	-	-	-	M20x1,5	OR 4625	
MTF 3/500-S02	G	279.5	245	122	205	12	6	124	24 (50Hz) 15 (60Hz)	12	65	145	90.5	162	-	-	M25x1,5	OR 4700	
MTF 3/650-S02	G	279.5	245	150 (60Hz) 132 (60Hz)	205	12	6	124	18	12	65	145	90.5	162	-	-	M25x1,5	OR 4700	
MTF 3/800-S02	G	301	260	150 (60Hz) 132 (60Hz)	230	15	6	182	18	15	63	170	56	150	-	-	M25x1,5	OR 4800	
MTF 3/1100-S90 Δ	G	383	279	145	254	14	4	-	31 (50Hz) 21 (60Hz)	17.5	57.5	-	63	229	-	-	M25x1,5	-	
MTF 3/65-S02	G	189	130	86	109	8.5	4	132	7.5	10	36	96	22	-	10	28	M20x1,5	OR 3350	
MTF 3/200-S02	G	225.5	211.5	92	188	12	4	144	21 (50Hz) 15 (60Hz)	10	58	103	23.5	-	10	28	M20x1,5	OR 4650	
MTF 3/300-S02	G	247	215	110	187	12	4	179.5	18 (50Hz) 12 (60Hz)	13	54	127	13.5	-	16	25	M20x1,5	OR 4625	
MTF 3/500-S02	G	279.5	245	122	205	12	6	124	24 (50Hz) 15 (60Hz)	12	65	145	90.5	162	12.5	50	M25x1,5	OR 4700	
MTF 3/650-S02	G	279.5	245	150 (60Hz) 132 (60Hz)	205	12	6	124	18	12	65	145	90.5	162	12.5	50	M25x1,5	OR 4700	
MTF 3/800-S02	G	301	260	150 (60Hz) 132 (60Hz)	230	15	6	182	18	15	63	170	56	150	25	90	M25x1,5	OR 4800	