

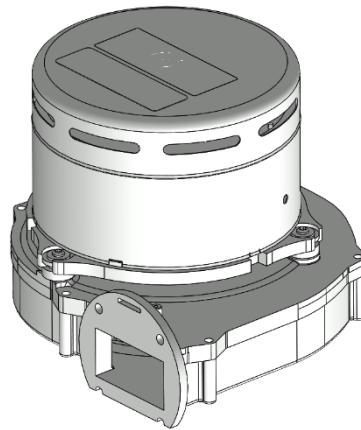


THE WORLD LEADER IN  
FUME EXTRACTION TECHNOLOGY

Document No:	EPS00003	Issue:	1	Date:	30/08/19
--------------	----------	--------	---	-------	----------

## Pump Specifications

Section 1	
Part Number	A1050017
Description	Pump - Universal Voltage - AD Oracle/PVC/350/Nano Plus/GoldS
Image	



Specifications	
Type	Centrifugal Pump
Dimensions (mm)	155H x 190W x 200D Approx.
Description of Part	Multi voltage Pump
Voltage/Power	100-240V AC 1kW
Weight	Approximately 2.5 Kgs

**Filter materials are non-toxic and therefore can be disposed of under normal waste conditions, subject to analysis of the collected particulate and/or Gas**