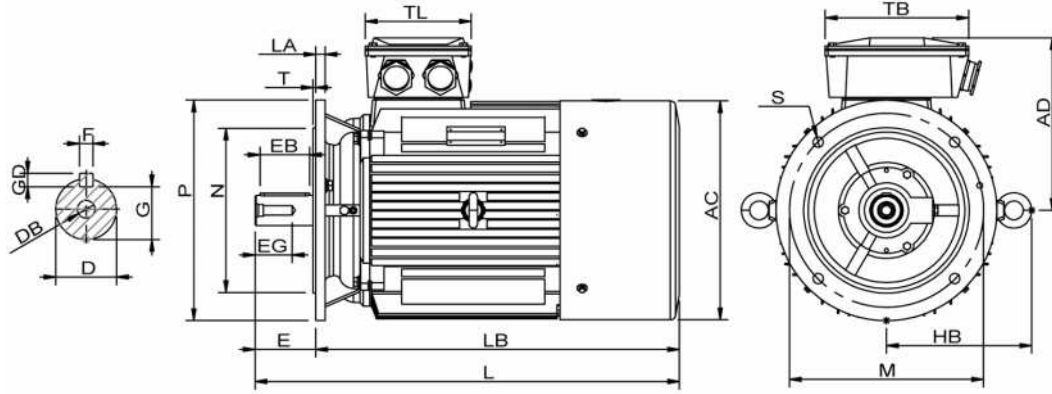


# Data Sheet

Itemnumber....: 3222000209



AC = 397	DB = M20	EG = 50	GD = 10	L = 779	M = 350	S = 4-Ø18.5	TL = 192
AD = 313	E = 110	F = 16	H = 200	LA = 17	N = 300	T = 5	
D = 55	EB = 90	G = 49	HB = 263	LB = 669	P = 400	TB = 260	

### Version

Type.....: HMC2 200L1-2  
 Design.....: Induction motor  
 Standard series.....: IEC 60034  
 Phase / Voltage range.....: 3~ / Low

### Electrical design

Efficiency.....: IE2  
 Pole.....: 2  
 Power at 50 Hz (kW).....: 30,0  
 Hz.....: 60 (60 Hz output)  
 Voltage.....: 440VD 60 Hz  
 Winding voltage.....: 400VD/690VY 50 Hz  
 Power output (kW).....: 35,0  
 Duty.....: S1  
 Insulation class.....: F  
 Temperature rise.....: B

### Motor protection

Thermal protection main....: PTC 3x 155 dgr  
 Thermal protection second.: None  
 Space heater.....: 1x 230V  
 Temperature detector.....: No  
 SPM.....: No  
 IR wire.....: No  
 Tropical insulation.....: Yes

### Explosion protection

According to.....: None

### General

Direction of rotation.....: CW  
 Painting.....: RAL 9005 Gloss 10  
 Nameplate.....: Multivoltage + VFD  
 Special packing.....: No  
 Special requirements.....: No

### Mechanical design

Frame size.....: 200  
 Mounting.....: B5  
 Rain cap.....: No  
 Protection class.....: IP55  
 Cooling method.....: IC411/TEFC  
 External grounding.....: Yes  
 Drain hole.....: Yes  
 Frame material.....: Cast Iron  
 Material approval.....: None  
 Shaft.....: IEC Standard  
 Key.....: Closed key  
 Balancing.....: Half key balancing  
 Vibration class.....: Grade-A  
 Weight (kg).....: 218

### Environment condition

Ambient temp. min. (°C)..: -20  
 Ambient temp. max. (°C)..: 45  
 Altitude (mtr up to).....: 1000

### Bearing

DE Bearing.....: 6312-ZZ/C3  
 NDE Bearing.....: 6312-ZZ/C3  
 Fixed bearing.....: DE

### Terminal box

Tbox position.....: Top  
 Cable entry direction.....: Right (from DE)  
 Cable entry  
     Main.....: 2 x M50x1,5  
                     Ø32-38mm metal  
     Accessory.....: 2 x M20x1,5  
                     Metal blindcaps  
 Connection type.....: Delta (D)  
 Terminal board thread.....: 6-M8

### Test values

Rotor inertia (kgm²).....: 0,13  
 Noise level (dB(A)).....: 78  
 No load current (A).....: 13,4  
 Winding resist. (ohm).....: 0,14  
 Starting time (sec.).....: 0,14  
 Temp. rise winding (K).....: 66  
 Temp. rise surface (K).....: 35

Rated power (kW)	30,0	29,0	36,0	35,0
Frequency (Hz)	50	50	60	60
Voltage (V)	400 690	380 660	480 830	440
Connection	D Y	D Y	D Y	D
Full load current (A)	53,0 30,5	54,5 31,5	53,0 30,5	55,5
Speed (rpm)	2950	2950	3540	3540
Power factor cos(phi)	0,90	0,91	0,90	0,91
Efficiency, 100/75/50 (%)	91,8/92,1/91,2	91,8/92,1/91,2	91,8/92,1/91,2	91,4/91,7/90,7
Ist/In	8,3	7,3	8,3	7,6
Full load torque (Nm)	97,0	94,0	97,0	94,0
Tst/Tn	3,0	2,8	3,0	2,6
Tmax /Tn	3,9	3,6	3,9	3,4
Duty	S1	S1	S1	S1
Ambient temp. (°C)	40	45	40	45