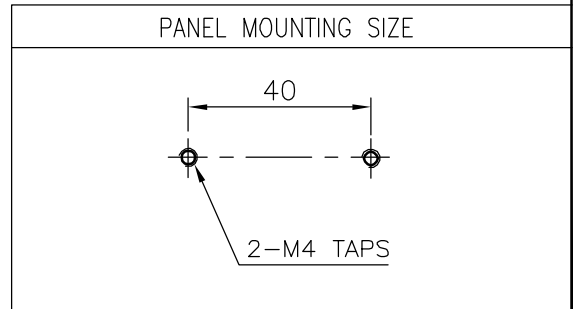
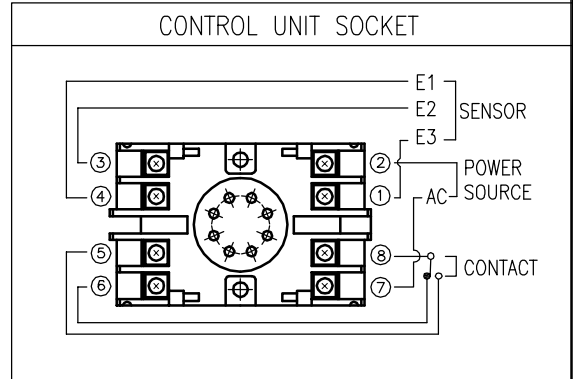


P0	TN
----	----

SPECIFICATION	
POWER SOURCE	AC 110V or 220V
POWER CONSUMPTION (ACTIVE)	AC 110V @ 1.4W AC 220V @ 2W
OUTPUT	potential free change over contact SPDT
RESPONSE TIME	approx 0.2msec
CONTACT RATING	AC 250V 5A, DC 30V 5A
AMBIENT TEMP.	-20 ~ +70°C
MOUNTING METHOD	PANEL REAR
SENSOR TO UNIT DISTANCE	Max. 500M

ELECTRODE DATA	
SWITCHING SENSITIVITY	Operating resistance 0.5~25kΩ·Cm
MEASURING CIRCUIT	Normal sensitivity AC 14V
VOLTAGE	Max. 4mA, AC



△	.	.			
△	.	.			
△	.	.			
△	.	.			
△	NOV. 2017	1st ISSUE	D Y KIM	B S SUNG	Y H KIM
NO.	DATE	REVISION	REV'D BY	CHK'D BY	APP'D BY

<b>HITROL</b> HITROL CO., LTD.		SCALE N.S	UNIT mm	SHEET NO. 1/1
TITLE <b>CONTROL UNIT HLC-200A</b>		PROJECT		
		DRAWING NO. HLC200A-A-01		

This drawing is the property of HITROL and shall not be copied, communicated, or given for third-party permission.