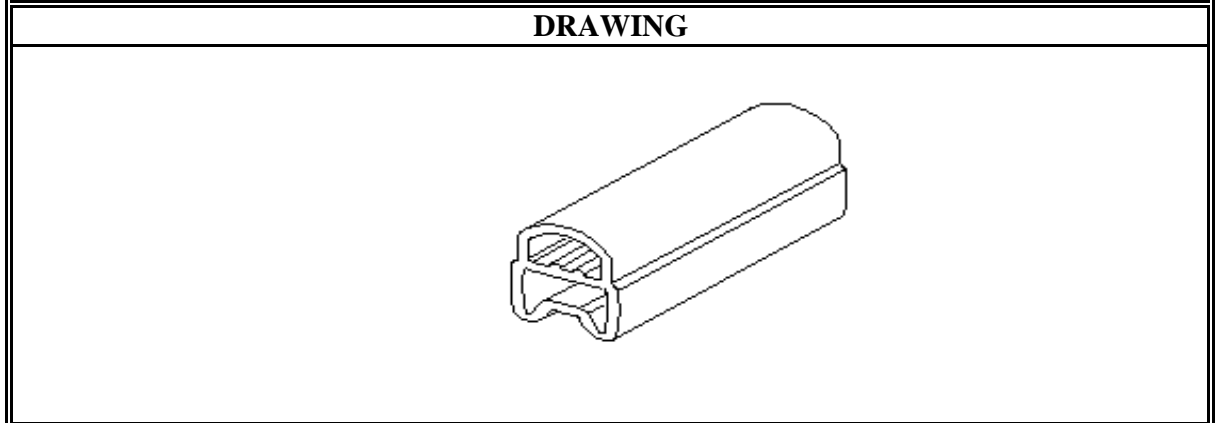


<b>DATA SHEET</b> N° DS/108	<b>TRASP SYSTEM</b> <b>200 SERIES SLEEVES</b>	<b>DATE</b>
		4/9/2009



**ITEMS OF REFERENCE**

201 -201MC - 202 - 202MC - 203 - 203MC - 204 - 205 - 206 - 207 - 208 - 209

**GENERAL CHARACTERISTICS**

SERIES OF SLEEVES WHICH COVERS, BY FEW ITEMS, A WIDE RANGE OF CABLES, SENSIBLY REDUCING STOCK.

**CHARACTERISTICS OF THE MATERIAL**

TYPE OF MATERIAL	P.V.C.
COLOUR	TRASPARENT
TEMPERATURE RANGE	- 50 ÷ + 80 °C (-58 ÷ +176 °F)
SELF-EXTINGUISHABILITY	V0 CLASS IN COMPLIANCE WITH UL 94 NORMS
RESISTANCE TO WATER	☺
RESISTANCE TO OILS	☺
RESISTANCE TO DUST	☺
RESISTANCE TO ACIDS	☺
TOXIC MATERIALS, ABSENCE OF	PCB, PCT, PBB, PBDO, VC ( MAX. 1 ppm )

**CUT LENGTH mm.:** 10 - 15 - 23 - 30 - METRI

**CUT LENGTH INCH.:** 0.39 - 0.59 - 0.91 - 1.18 - METERS

ITEMS	DIAM. CABLE EXT. mm. / INCH.	NO. OF PIECES PER PACK						
		10	10 MC	15	15 MC	23	30	MT
201	1.5 ÷ 2.5 / 0.059 ÷ 0.098	1000	3000	1000	3000	1000	500	1 x 985 INCH.
202	2 ÷ 4 / 0.078 ÷ 0.15	1000	3000	1000	3000	500	500	1 x 985 INCH.
203	4 ÷ 7 / 0.15 ÷ 0.27	500	3000	500	2000	500	200	1 x 985 INCH.
204	6 ÷ 10 / 0.24 ÷ 0.4	500	/	500	/	200	200	1 x 985 INCH.
205	10 ÷ 14 / 0.4 ÷ 0.5	200	/	200	/	200	200	40 x 19.7 INCH.
206	14 ÷ 22 / 0.5 ÷ 0.9	200	/	200	/	100	100	40 x 19.7 INCH.
207	22 ÷ 30 / 0.9 ÷ 1.18	50	/	50	/	50	50	20 x 19.7 INCH.
208	30 ÷ 35 / 1.18 ÷ 1.4	50	/	50	/	50	50	20 x 19.7 INCH.
209	35 ÷ 40 / 1.4 ÷ 1.6	50	/	50	/	50	50	20 x 19.7 INCH.

**NOTES:**

<b>Document</b>	<b>CHECK., APPROV.:</b>	<b>DATE:</b>	<b>OBJECT MATTER OF REVISION:</b>	<b>PAGE:</b>
78-8127-9093-5				1 of 1