

KT5105



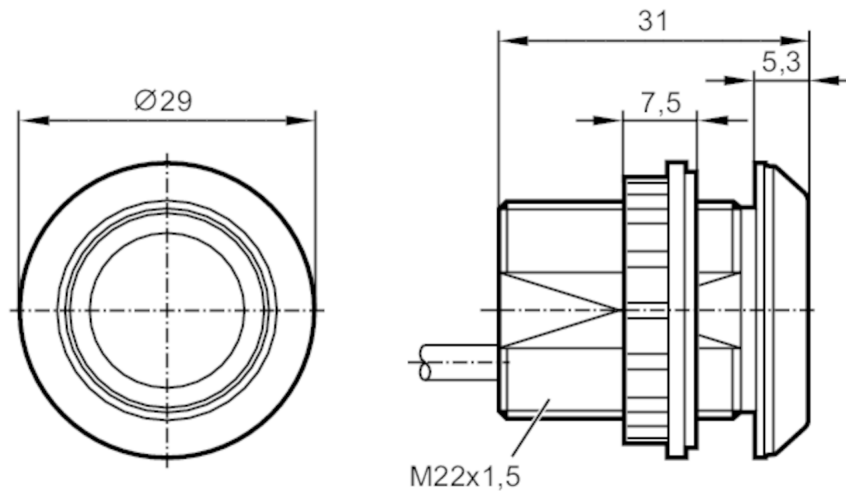
Capacitive illuminated pushbutton

KTMSF-K-RBPKG/0,3M

Article no longer available - archive entry

Alternative articles: KT5110

When selecting an alternative article and accessories please note that technical data may differ!



Product characteristics

Electrical design	PNP
Output function	normally open
Dimensions [mm]	Ø 29 / L = 31

Application

Principle of operation	static
------------------------	--------

Electrical data

Operating voltage [V]	12...30 DC
Current consumption [mA]	30
Protection class	III
Reverse polarity protection	yes
Max. power-on delay time [ms]	500

Outputs

Electrical design	PNP
Output function	normally open
Permanent current rating of switching output DC [mA]	200
Short-circuit protection	yes
Overload protection	yes

Reaction times

Response time [ms]	35
--------------------	----

KT5105



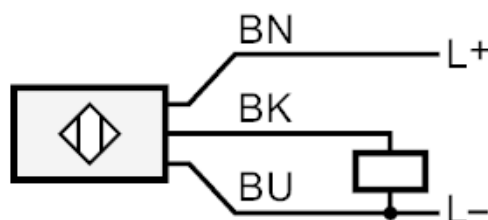
Capacitive illuminated pushbutton

KTMSF-K-RBPKG/0,3M

Operating conditions		
Ambient temperature	[°C]	-40...85
Protection		IP 65; IP 67; IP 69K; (on the front)
Mechanical data		
Weight	[g]	41.8
Dimensions	[mm]	Ø 29 / L = 31
Material		PA 6.6-GF30 black; actuating surface: PA Grilamid TR 90UV
Displays / operating elements		
Display	Switching status	1 x LED, red
	Power	1 x LED, green
Accessories		
Items supplied	lock nuts:	1
	Gasket:	1
Accessories (optional)	Symbol disc	
Remarks		
Pack quantity		1 pcs.

Electrical connection
Cable: 0.3 m, PUR

Connection



Core colors :

BK = black
BN = brown
BU = blue