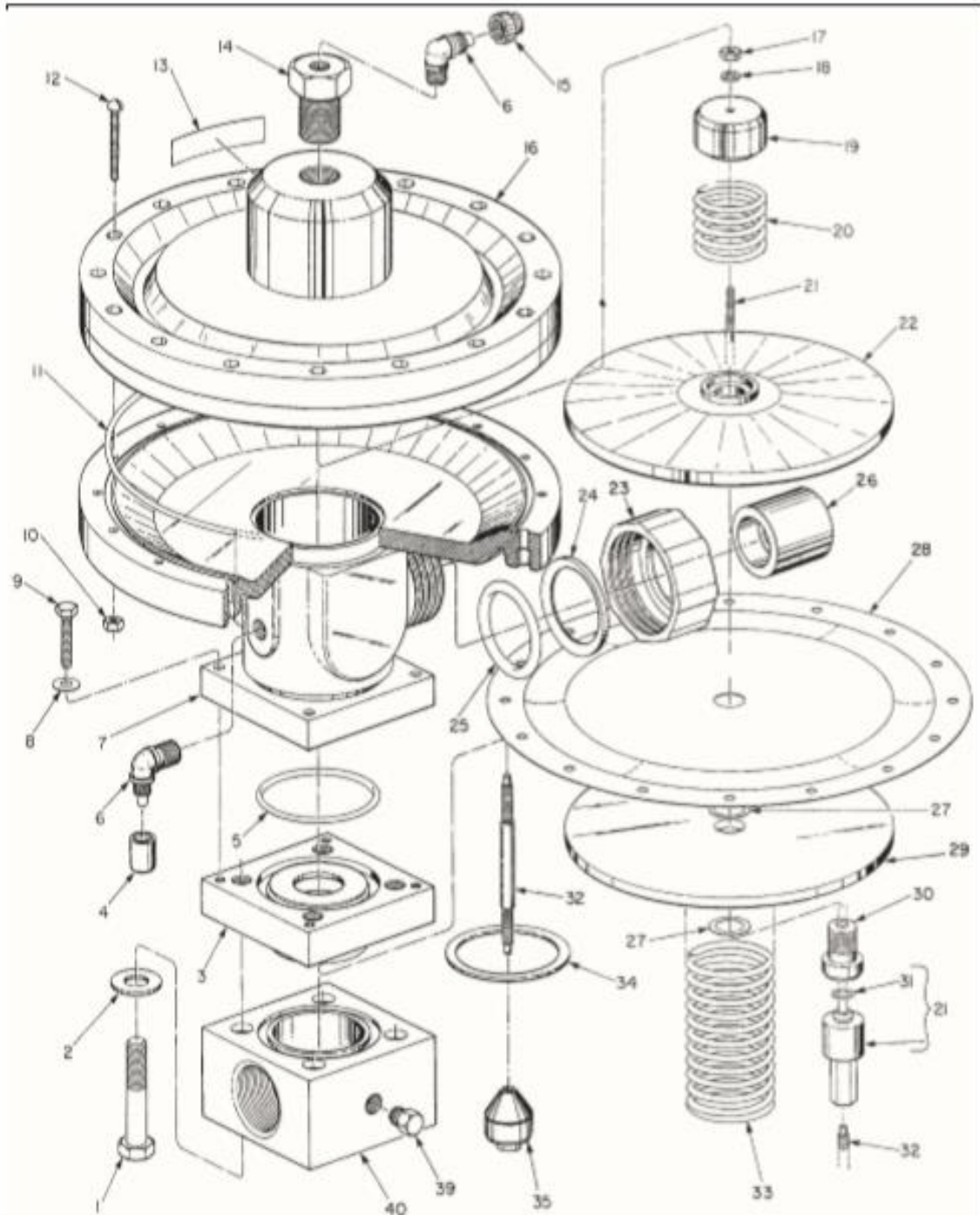


VACUUM REGULATOR-CHECK UNIT



U27549 - CHLORINE, SULFUR DIOXIDE & CARBON DIOXIDE; U27551 - AMMONIA
 PRESSURE CHECK-PRESSURE RELIEF VALVE - PARTS

50.177.000.075A
 ISSUE 3 12-08

NOTE: FOR PARTS LIST, SEE DWG. 50.177.000.075B.
 WT.050.177.002.UA.IM.0714

VACUUM REGULATOR-CHECK UNIT

KEY NO.	PART NO.	QTY.	DESCRIPTION
▲ 1	P 36387	4	BOLT (HEX.HD.,STL.) 1/2"-13 x 2-3/4" LG.
▲ 2	P 19803	4	1/2" WASHER (STL.)
3	U 25259	1	PRESSURE CHECK SEAT
4	P 37823	1	CAPNUT
5	P 57183	1	O-RING (232) VITON, 2-3/4" ID x 3" OD (FOR Cl2, CO2, SO2)
	OR		
	P 41703	1	O-RING (232) BUNA-N, 2-3/4" ID x 3" OD (FOR NH3)
6	P 39235	2	90° ELBOW - HALF UNION (PVC) 3/8" TUBING x 1/4" NPT
7	U 26560	1	BODY UNIT
8	P 16556	4	1/4" WASHER (MONEL)
9	P 32413	4	BOLT (HEX.HD.,MONEL) 1/4"-20 x 1-1/2" LG.
10	P 35110	16	HEX. NUT (SS) #10-24
11	P 57181	1	O-RING (170) VITON, 7-3/4" ID x 7-15/16" OD FOR Cl2, CO2, SO2)
	OR		
	P 57195	1	O-RING (170) BUNA-N, 7-3/4" ID x 7-15/16" OD (NH3 ONLY)
12	P 35113	16	MACH.SCREW (RD.HD.,MONEL) #10-24 x 1-1/4" LG.
13	P 54516	1	LABEL
14	P 23664	1	REDUCING BUSHING (PVC) 3/4" NPT x 1/4"
15	PXB 39334	1	UNION NUT (1/2"-20) 3/8" TUBING
16	U 26559	1	BONNET UNIT
17	P 51366	1	HEX. NUT (SILVER) #10-24
18	P 3194	1	WASHER (SILVER)
19	P 51387	1	SPRING RETAINER
20	P 51444	1	RELIEF SPRING
21	U 27488	1	PRESSURE CHECK UNIT - (FOR Cl2, CO2, SO2)
	OR		
	U 27489	1	PRESSURE CHECK UNIT - (FOR NH3)
22	P 54860	1	TOP BACKING PLATE
23	P 36802	1	UNION NUT - (PVC) 1-1/2" PIPE
24	P 37015	1	NUT WASHER
25	P 28509	1	RING GASKET
26	P 51378	1	ADAPTER
27	P 51373	2	GASKET
28	P 51392	1	DIAPHRAGM
29	P 54859	1	BOTTOM BACKING PLATE
30	P 51370	1	SCREW
▼ 31	PXA 38437	1	O-RING (013) VITON, 7/16" ID x 9/16" OD (FOR Cl2, CO2, SO2)
	OR		
	P 38437	1	O-RING (013) BUNA-N, 7/16" ID x 9/16" OD (FOR NH3)
32	P 54050	1	STEM
33	P 51394	1	SPRING
▲ 34	P 51386	1	GASKET (LEAD)
35	U 27935	1	CHECK (FOR Cl2, CO2, SO2)
	OR		
	P 57044	1	CHECK (NH3)
▲ 39	AAA2562	1	PIPE PLUG 1/4" NPT
▲ 40	P 58742	1	BODY

NOTE: ▼ PART OF KEY NO. 21.
▲ NOT PART OF U27551 OR U27549.

WHEN ORDERING MATERIAL, ALWAYS SPECIFY MODEL AND SERIAL NUMBER OF APPARATUS.

U27549 - CHLORINE, SULFUR DIOXIDE & CARBON DIOXIDE; U27551 - AMMONIA
PRESSURE CHECK-PRESSURE RELIEF VALVE - PARTS LIST

50.177.000.075B

ISSUE 4 5-04