

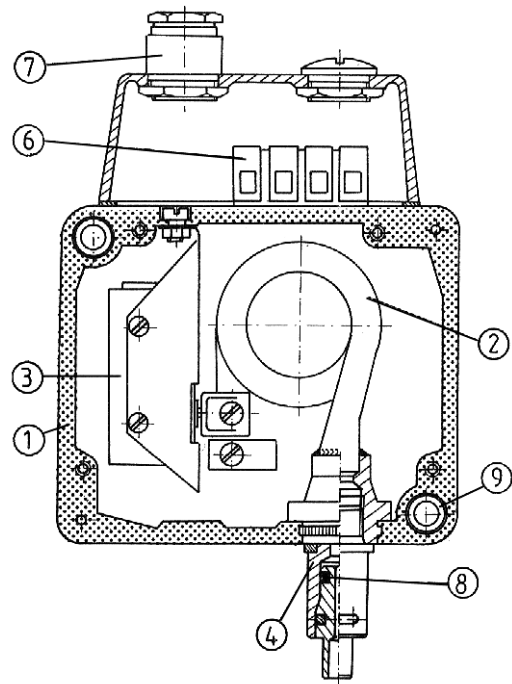
Pressure switch type HED 2 is used to switch an electrical circuit on and off in relation to the given pressure value of an oil or another operating medium.

DESCRIPTION OF OPERATION

Increasing pressure is supplied by a dumping tube via connector Stecko 4 sealed with the rubber ring 8. This pressure affects the bourdon tube 2 causing its deformation. As soon as the set pressure is reached, the bourdon tube actuates the micro switch 3 by means of the attached operating lever. Position of the micro switch and then time of its action may be adjusted steplessly by means of a lockable handknob. Connection of the pressure switch with an external electrical equipment is made by conductors attached to the terminal strip 6 and the gland 7 - in basic version.

The switch is susceptible to vibration and for that reason it is mounted with the buffers 9.

The pressure switches are designed for the following pressure ranges : 2,5; 6,3; 10; 20 MPa



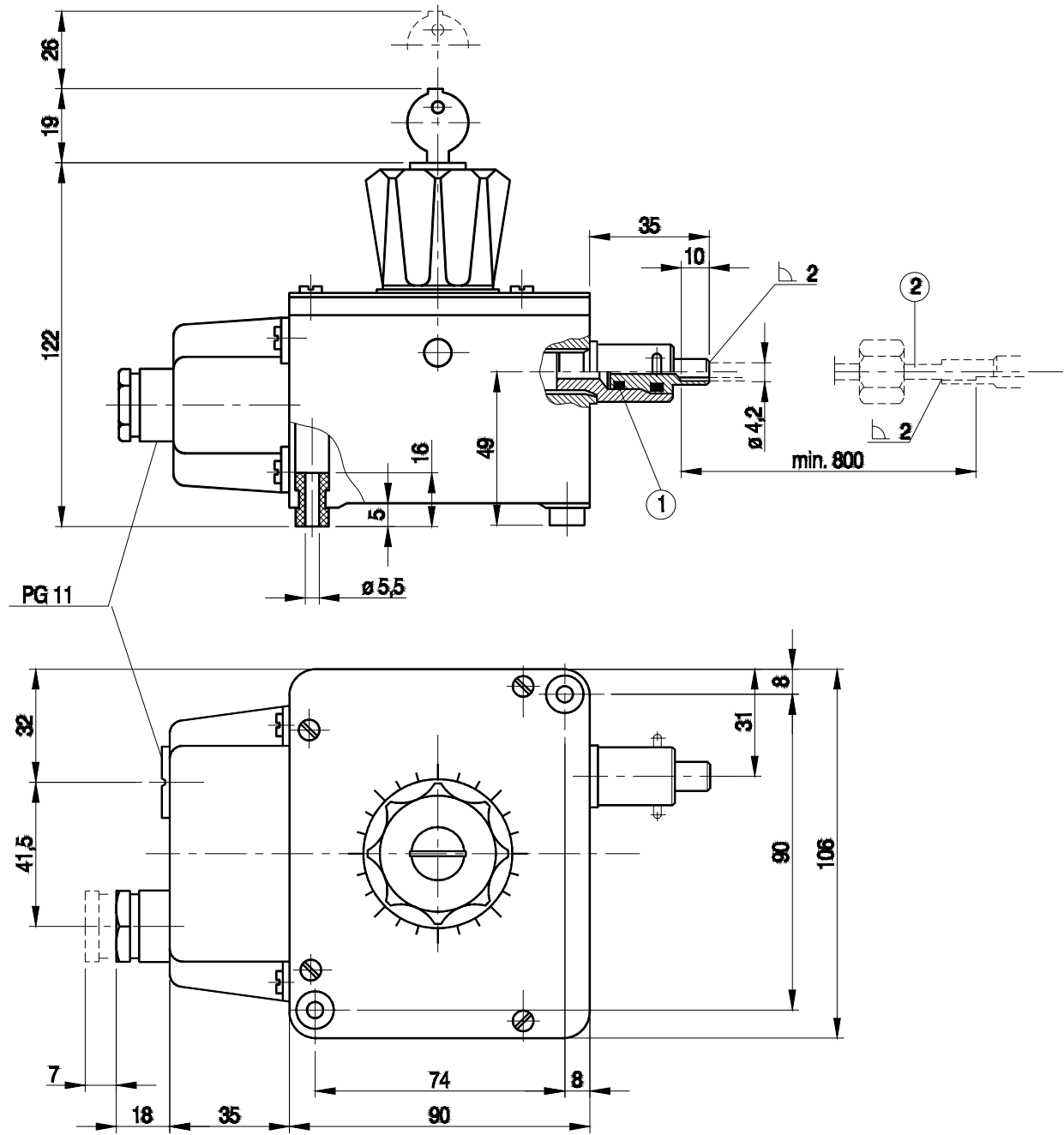
TECHNICAL DATA

Operatin medium	Mineral oil, phosphate ester, gas, air		
Electrical connection with a gland	PG 11 ; max conductor dia = 8		
Insulation	Electrical connection with a gland		
	IP 55	IP 54	
Mounting position	Optional Fixing by 2 bolts M5 x 20 - 5.8 per PN-85/M - 82215 (DIN - 384)		
Switching accuracy	± 1 %		
Switching frequency	30/min		
Contact loading	AC voltage		DC voltage
	[V]	[A]	[V] [A]
	460	10	25 1.0 125 0.2 250 0.1
Weight	1 kg		

Setting ranges [MPa]				Fixed switching pressure difference [MPa]	Pressure rating [MPa]	Maximum operating pressure [MPa]
Decreasing pressure		Increasing pressure				
min	max	min	max			
0.15	2.5	0.2	2.6	~ 0.05	2.5	3
0.4	6.3	0.5	6.4	~ 0.10	6.3	7
0.6	10	0.75	10.15	~ 0.15	10	11
1	20	1.4	20.4	~ 0.40	20	21

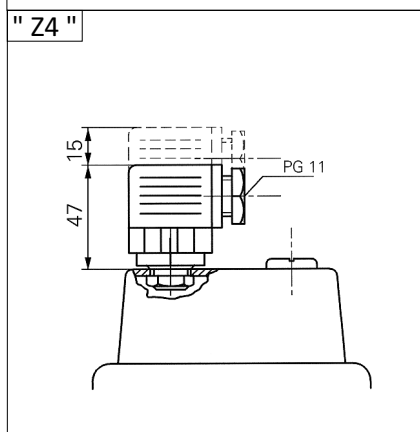
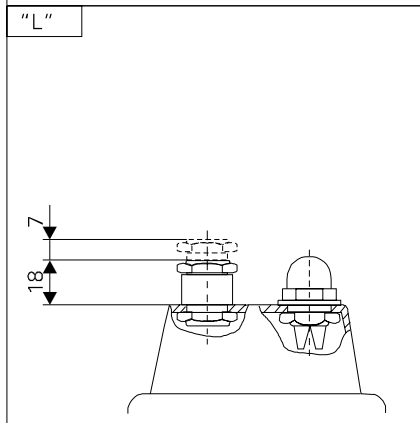
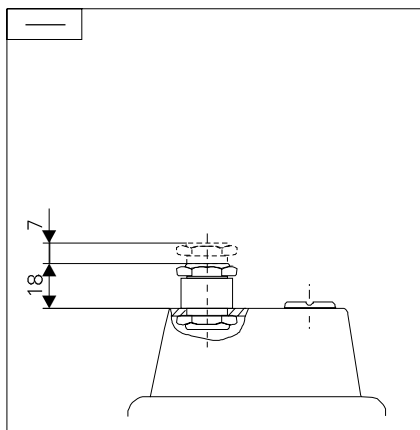
Note : Fixing bolts have to be ordered separately.

OVERALL AND CONNECTION DIMENSIONS

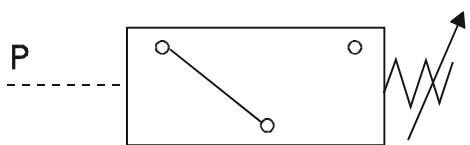


Overall dimensions and connector
 Item 1 - o-ring 5.3 × 2.4 - 1 piece
 Item 2 - Dumping tube (not included)

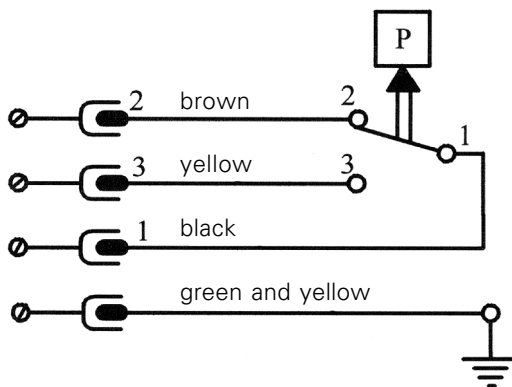
Electrical connection



SCHEMES

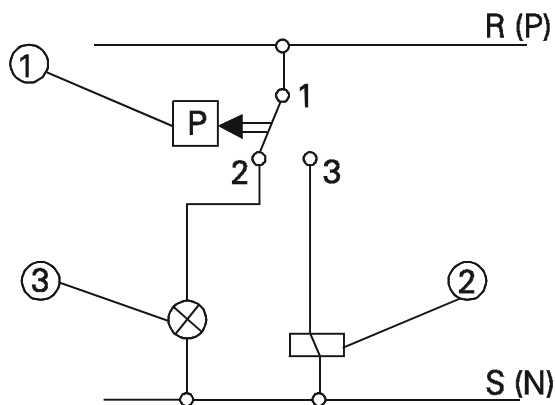


Graphical symbol



Symbol of electrical connections for version Z4L

Example of application



Simple switching with one HED

HOW TO ORDER

Orders coded in the way showed below should be forwarded to the manufacturer.

The symbols in bold are preferred versions in short delivery time.

HED	2	0	A	/			*
-----	---	---	---	---	--	--	---

Series number

(30-39) - niezmiennie wymiary przyłącza i zabudowy = 3X
series 31 = 31

Further requirements in clear text (to be agreed upon with the manufacturer)

Max set pressure

2,5 MPa = 25
 6,3 MPa = 63
 10 MPa = 100
 20 MPa = 200

Voltage of control light

24V = 24
 110V = 110
230V = 230

Electrical connection

Standard version = no designation

Control light = L
 Angled plug ISO 4400 without LED = Z4
 Angled plug ISO 4400 with LED = Z4L

Coding example: HED 2 0 A 31/200 Z4 230

PONAR Wadowice S.A.
ul. Wojska Polskiego 29
34-100 Wadowice
tel. +48 33 488 21 00
fax. +48 33 488 21 03
www.ponar-wadowice.pl

