

SST 01-10-022-008-20-H-1D1-0.5-J5**Industrial Light Curtain**

Industrial Light Curtains

Compatible Receivers:

SSR 01-4-022-008-20-H-1D1-0.5-J8

SSR 01-10-022-008-20-H-1D1-0.5-J8

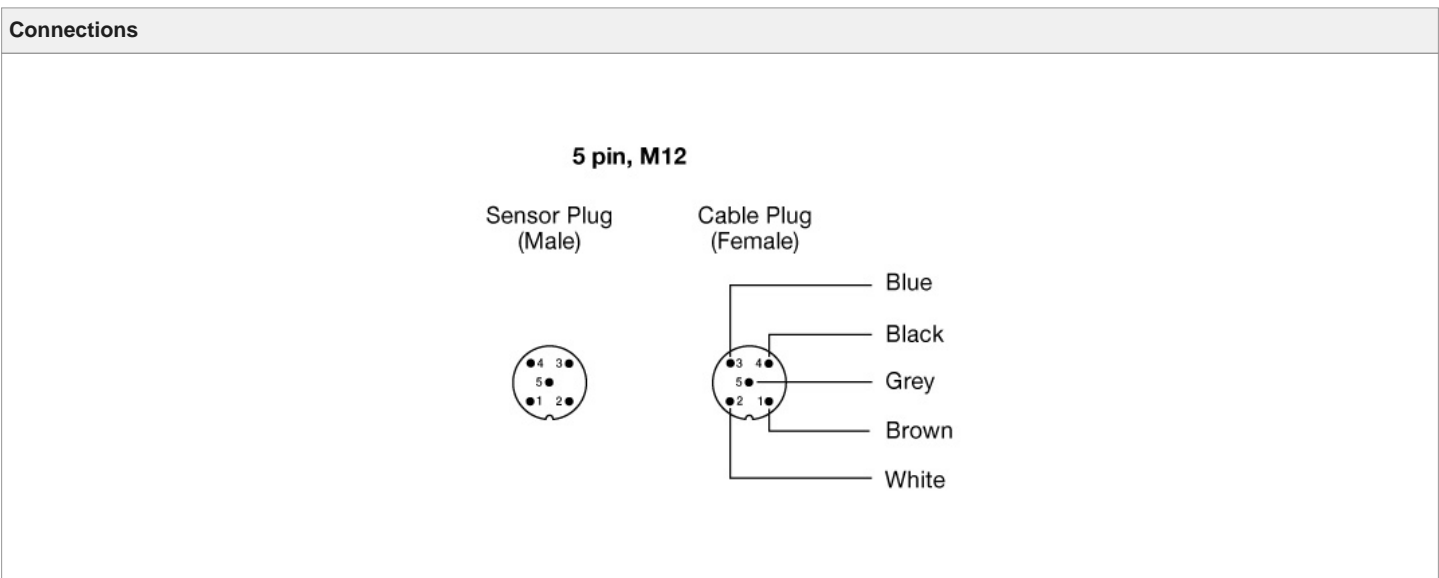
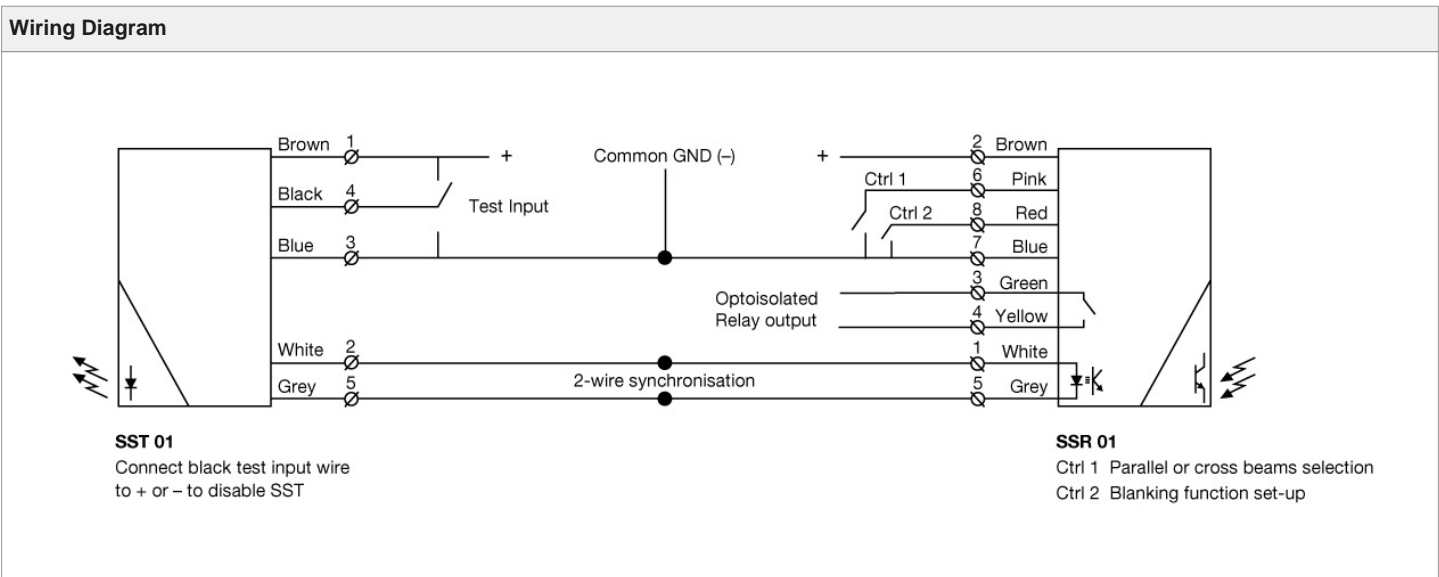


Product Data	
Channel Spacing	20 mm
Function	Transmitter
Operation Mode	Thru Beam
Supply Voltage	12 - 30 V dc
Connection	0.5 m cable with 5 pin, M12 plug
Sensing Range	10 m
Length	220 mm
Active Height	145 mm
Housing	33 x 36 mm

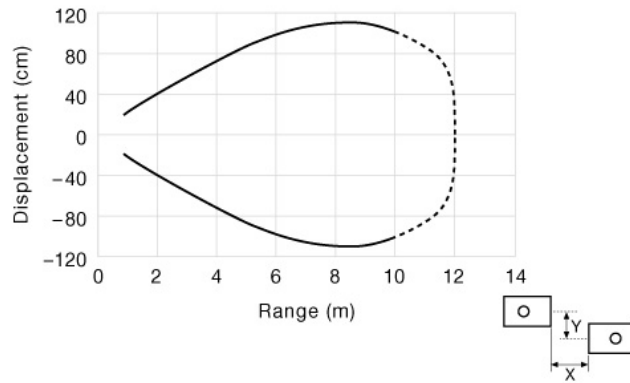
Technical Data	
Supply Voltage	12 - 30 V dc
Reverse Polarity Protected	Yes
Current Consumption	100 mA
Number of Channels	8
Number of Cross Scanning Beams	22
Number of Parallel Beams	8
Distance, Beams Pinch Point	10 mm
Channel Spacing	20 mm
Test Input	Yes
Power On Indicator	Green LED
Light Source	Infrared (880 nm)
Profile Dimensions (w x d)	33 x 36 mm
Housing Material, Front Lens	Polycarbonate
Housing Material, Profile	Aluminium (black anodised)
Cable	5 x 0,2 mm ²
Cable Sleeve	PVC Ø 5,9 mm

Environmental Data	
Vibration	10 - 55 Hz, 0,5 mm
Shock	30 g
Operation Temperature	-30 to +60 °C
Storage Temperature	-40 to +80 °C
Sealing Class	IP 67

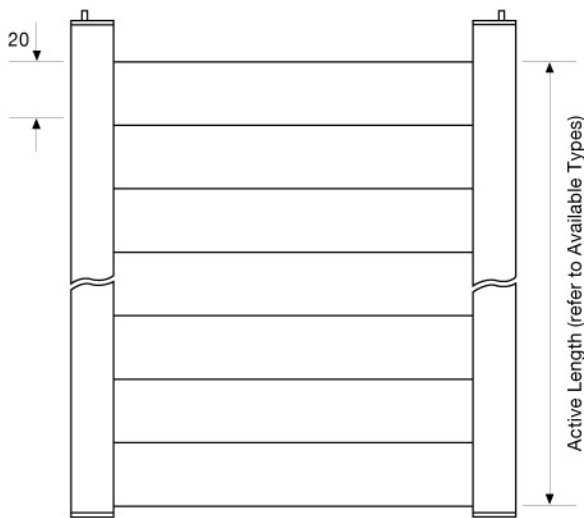
Approvals

Parallel Displacement

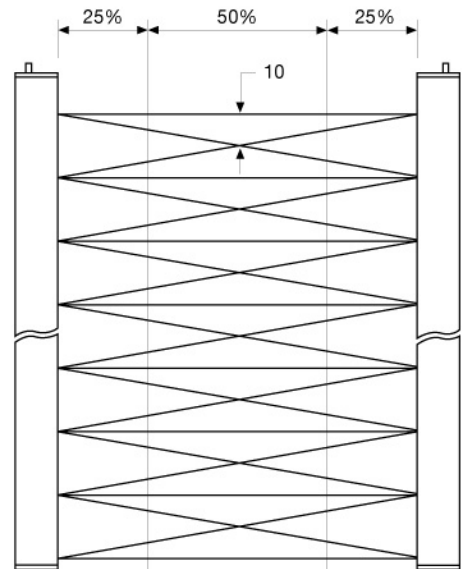


Beam Patterns



Parallel Beams

20 mm channel spacing



Cross Beams

Dimensions

