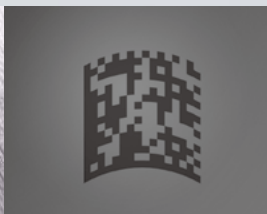
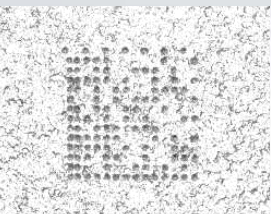


KEYENCE

NEW Handheld DPM Code Reader
SR-G100

EtherNet/IP[™] PROFIBUS[®] NET[™] CE 

THE NEXT GENERATION OF HANDHELD CODE READERS



SR-G100

COMMON CHALLENGES FACED BY HANDHELD DPM CODE READERS

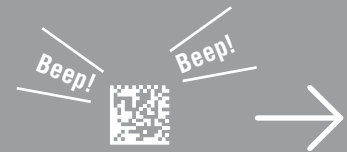
SLOW

Reading takes time, which causes operations to fall behind and leads to downed production lines



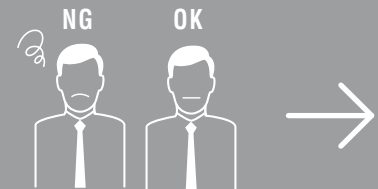
UNSTABLE

Because reading time is inconsistent, mistakes such as duplicated or skipped reads may occur



VARIABLE

Readings differ from person to person due to varying levels of understanding



DIFFICULT

Figuring out the best settings takes a long time or can sometimes even be impossible



THESE ISSUES AREN'T A PROBLEM FOR THE SR-G100

**HIGH-SPEED
READING**

**STABLE
READING**

**EASY
OPERATION**

**EASY
CONFIGURATION**



NEW
Handheld DPM Code Reader
SR-G100

HIGH-SPEED READING REGARDLESS OF OPERATOR

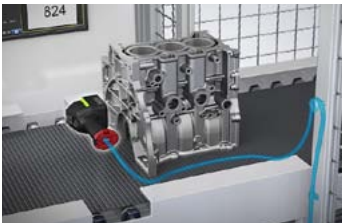


WIRELESS COMMUNICATION IMPROVES FLEXIBILITY

Not only does being wireless improve the SR-G100's general flexibility, it also solves various problems that would otherwise be impossible to overcome.



No need to spend time on wiring



No interference from cables



No need to worry about damaged cables

BUILT-IN FUNCTION BUTTON

EASILY CUSTOMIZABLE SETTINGS

Automatic tuning is done simply by pushing the function button and reading a code. Use the device on site without the need to carry around a PC.



Assess stability of reading and communication

- Reading rate testing
- Radio wave testing



ERGONOMIC SHAPE THAT REINFORCES OPTIMAL POSITIONING

CENTER-OF-GRAVITY DESIGN

By naturally inducing a flat position, the SR-G100 reduces the impact of variations between users as well as variations in code marking styles. This makes it possible for anyone to read codes consistently and stably.



MULTI-LIGHTING CONTROL FUNCTION

AUTOMATIC SELECTION OF OPTIMAL LIGHTING

Polarizing illumination

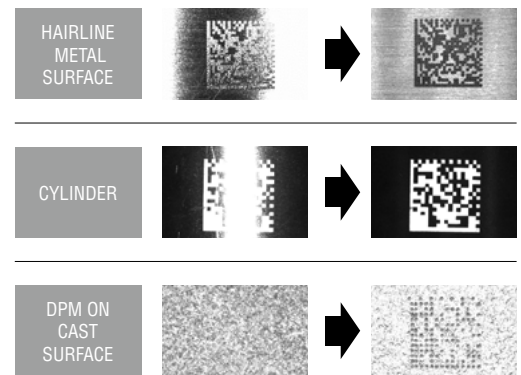


Removes glare from metal, black resin, etc.

Multi-angle lights + partial lighting

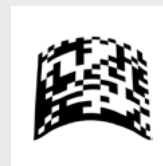


Reads DPM codes on metals including cylinders and cast surfaces



CAPABLE OF HANDLING CHALLENGING CODES

Code correction algorithms, developed for the SR-1000 Series of fixed mount code readers, have been optimized specifically for use with handheld code readers. This allows an ideal balance between reading consistency and speed.



Distorted codes on curved surfaces



Codes marked on mached surfaces

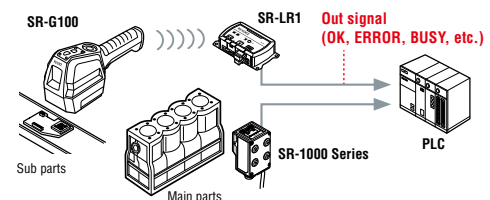


Codes marked on surfaces with projections and depressions

COMPATIBLE WITH VARIOUS COMMUNICATION PROTOCOLS

Support for EtherNet/IP™, PROFINET, and PLC link improves PLC compatibility. This allows for interaction with fixed mount code readers installed on equipment or on production lines. In addition, the OUT signal (OK, ERROR, BUSY, etc.) from the communication unit (SR-LR1) makes synchronization with the PLC even easier.

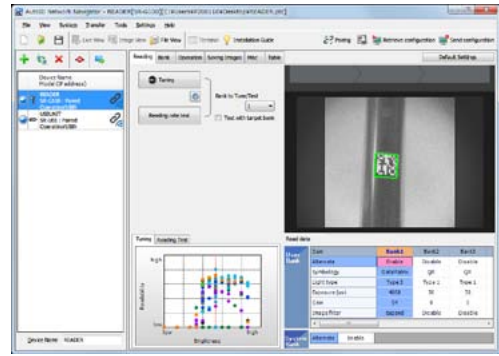
Verification and tracking of main and sub parts



CUSTOMIZABLE SETTINGS USING EASY CONFIGURATION SOFTWARE

AutoID Network Navigator **SR-H5W** NEW

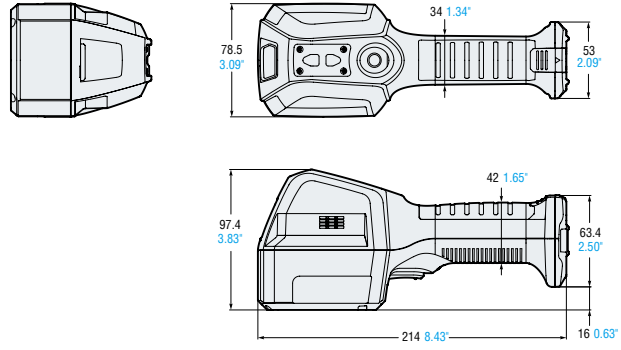
- Easy connection via USB
- Automatic tuning at the push of a button
- Up to 12 different groups of settings can be stored
- Real-time reading confirmation using Live View



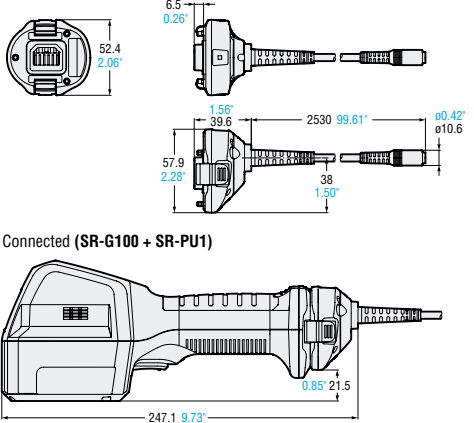
DIMENSIONS

Unit: mm

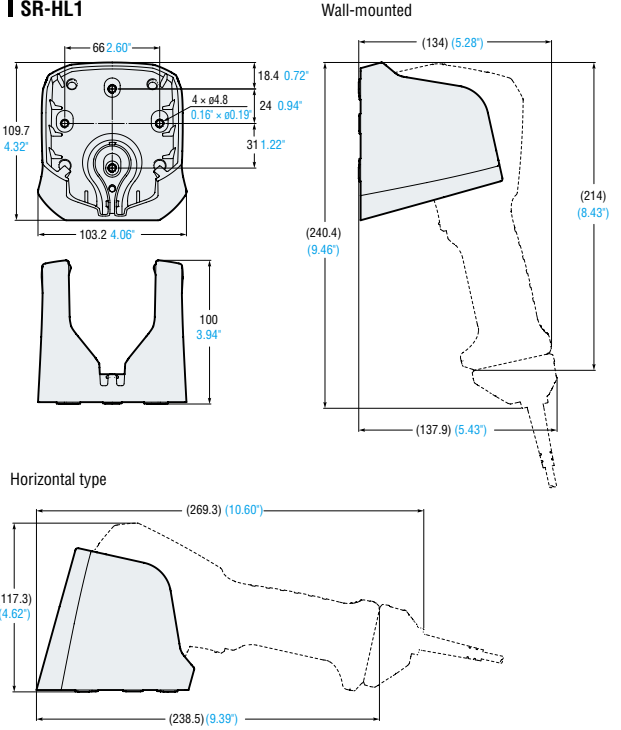
Handheld DPM Code Reader SR-G100



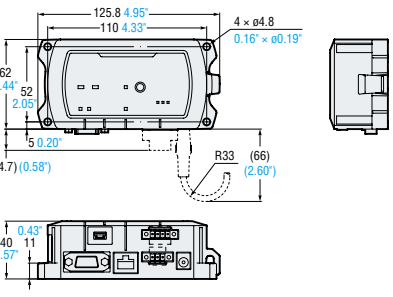
SR-G100 Cable SR-PU1



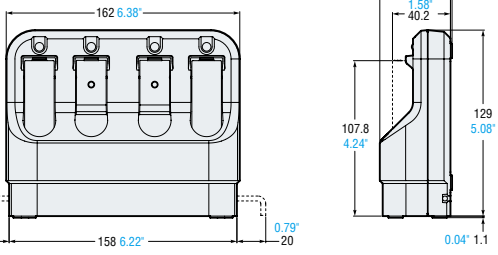
Holder SR-HL1



Communication unit (Ethernet & RS-232C) SR-LR1



4-in-line charging unit SR-CG14



FIELD OF VIEW FOR READING (TYPICAL)

2D code Unit: mm inch

Distance	Minimum resolution	Horizontal	Vertical
30 1.18"	0.127 0.005"	45 1.77"	45 2.56"
70 2.76"	0.25 0.009"	65 2.56"	65 2.56"
110 4.33"	0.5 0.020"	85 3.35"	85 3.35"

Barcode Unit: mm inch

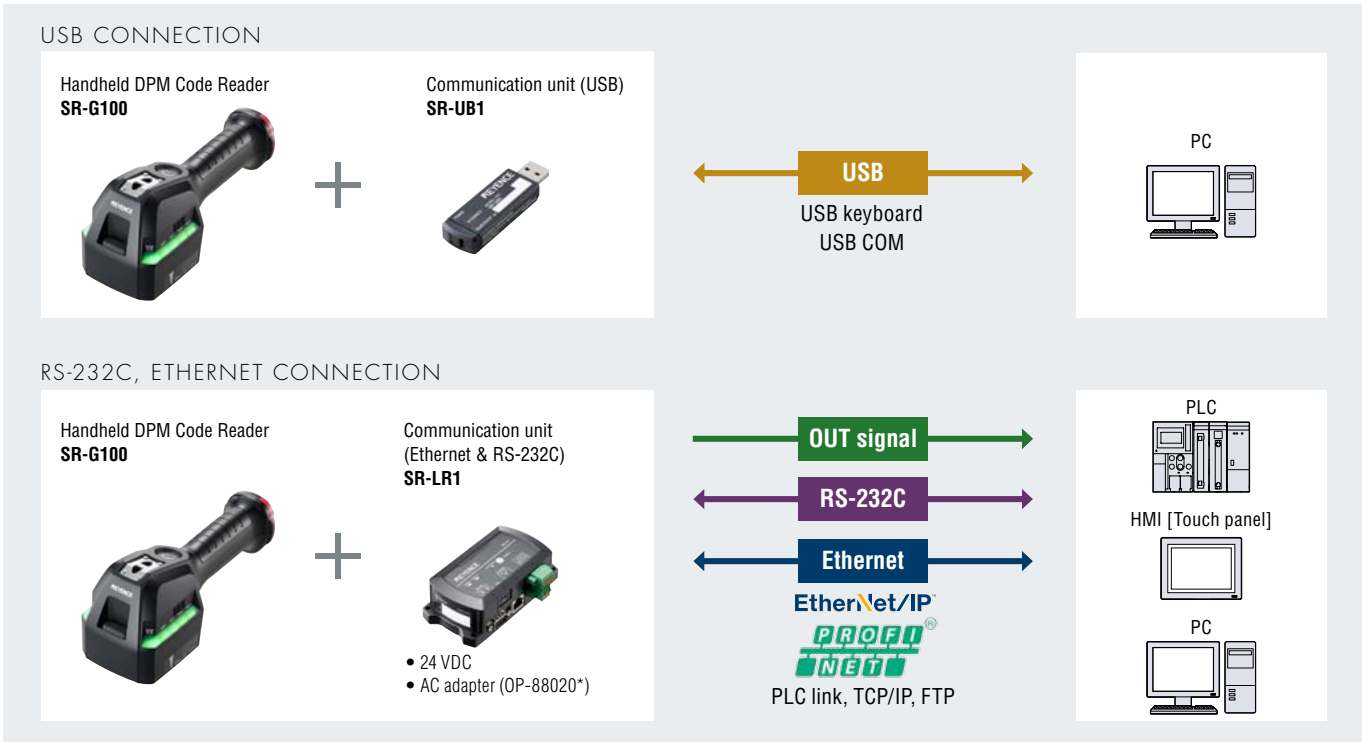
Distance	Minimum resolution	Horizontal	Vertical
80 3.15"	0.25 0.010"	99 3.90"	70 2.76"
120 4.72"	0.5 0.020"	127 5.00"	90 3.54"
200 7.87"	1 0.039"	184 7.24"	129 5.08"

QUICK SETUP CODE

Settings on the main unit can be changed using codes created through the setup software.

(Ex.: Initialization code)

STEP 1 SELECT A CONNECTION INTERFACE



STEP 2 SELECT A CHARGING/POWER METHOD



* A separate AC cable is required with OP-88020 and SR-CG14 products.

AC CABLE LIST

OP-99022 (USA, Canada) **OP-99102** (Mexico) **OP-99062** (UK) **OP-99032** (Germany, France, Italy, Belgium)
OP-99042 (China) **OP-99112** (Thailand) **OP-99012** (Japan)

(Approx. 2 m 6.56)

OTHER OPTIONAL ACCESSORIES AND SETUP SOFTWARE

Holder **SR-HL1**
Supports both flat and wall-mounted positions



USB cable **OP-51580**
SR-G100/SR-LR1 for setup



Setup software **SR-H5W**



SPECIFICATIONS



Handheld DPM Code Reader

Model		SR-G100	
Receiver	Sensor	CMOS image sensor	
	Number of pixels	900 × 900 pixels (2D code), 1280 × 900 pixels (Barcode)	
Light emitter	illumination light source	High-intensity red LED, High intensity blue LED	
Reading specifications	Supported symbol	2D code	QR, MicroQR, DataMatrix (ECC200), GS1 DataMatrix, PDF417, MicroPDF417, GS1 Composite (CC-A/CC-B/CC-C)
		Barcode	CODE39, ITF, 2of5 (Industrial 2of5), COOP 2of5, NW-7 (Codabar), CODE128, GS1-128, GS1 DataBar, CODE93, JAN/EAN/UPC, Trioptic CODE39, CODE39 Full ASCII, Pharmacode
	Minimum resolution	2D code	0.127 mm 0.005"
		Barcode	0.1 mm 0.004"
	Focal distance	30 mm 1.18"	
Communication specifications	Wireless communication	Bluetooth Ver. 2.1 + EDR Class 2	
	Wireless communication distance	Approx. 10 m 32.81' (line-of-sight)	
	Setup communication	USB 2.0 Full Speed	
Environmental resistance	Enclosure rating	IP54	
	Ambient temperature	0 to +45°C 32 to +113°F / When charging: 0 to +40°C 32 to +104°F	
	Ambient storage temperature	-10 to +50°C 14 to +122°F	
	Relative humidity	35 to 95% RH (No condensation)	
	Ambient storage humidity	35 to 95% RH (No condensation)	
	Ambient light	Sunlight: 10000 lux, Incandescent lamp: 6000 lux, Fluorescent lamp: 2000 lux	
	Operating environment	No dust or corrosive gas present	
	Drop resistance*	2.0 m 6.56', 50 times	
Rating	Power consumption	Approx. 8.5 W	
Dimensions		214 × 78.5 × 97.4 mm 8.43" × 3.09" × 3.83"	
Weight		Approx. 375 g (incl. rechargeable battery pack)	
Continuous usage time (Central value)		Approx. 10 hours (reading count: 10000)	
Charging time		Approx. 4.5 hours	

* This is a test value and is not guaranteed.

Communication unit (USB)

Model		SR-UB1
Communication specifications	Wireless communication	Bluetooth Ver. 2.1 + EDR Class 2
	Wireless communication distance	Approx. 10 m 32.81' (line-of-sight)
	USB communication	USB 2.0 Full Speed
	Interface	USB-COM, USB keyboard
Environmental resistance	Ambient temperature	0 to +45°C 32 to +113°F
	Ambient storage temperature	-10 to +50°C 14 to +122°F
	Relative humidity	35 to 95% RH (No condensation)
	Ambient storage humidity	35 to 95% RH (No condensation)
Rating	Current consumption	Approx. 80 mA
Dimensions		20.6 × 11.2 × 65.4 mm 0.81" × 0.44" × 2.57"
Weight		Approx. 15 g
Supported OS		Microsoft Windows 8 Professional or later 32bit/64bit (Except for Windows RT), Microsoft Windows 7 Professional or later 32bit/64bit

Communication unit (Ethernet & RS-232C)

Model		SR-LR1
Communication specifications	Wireless communication	Bluetooth Ver. 2.1 + EDR Class 2
	Wireless communication distance	Approx. 10 m 32.81' (line-of-sight)
	RS-232C	9600, 19200, 38400, 57600, 115200 bps No-protocol, MC protocol, SYSWAY, KV STUDIO
	Ethernet	IEEE 802.3, 10BASE-T / 100BASE-TX TCP/IP, FTP, MC protocol, Omron PLC link, KV STUDIO, EtherNet/IP™, PROFINET
Control output	Number of points	3
	Output format	Photo MOS relay
	Maximum rating	30 VDC, 100 mA
	Leakage current when OFF	0.1 mA or less
	Residual voltage when ON	1 V or less
Environmental resistance	Ambient temperature	0 to +45°C 32 to +113°F
	Ambient storage temperature	-10 to +50°C 14 to +122°F
	Relative humidity	35 to 95% RH (No condensation)
	Ambient storage humidity	35 to 95% RH (No condensation)
Rating	Power voltage / current consumption	24 VDC ±10% / Approx. 120 mA, or use dedicated AC adapter (12 VDC) / Approx. 230 mA
Dimensions		62 × 125.8 × 40 mm 2.44" × 4.95" × 1.57"
Weight		Approx. 160 g

AC adapter

Model	OP-88020
Rated input	100 to 240 VAC, 50/60 Hz
Rated output	12 VDC, 1.5 A max.
Dimensions	104 × 43 × 31 mm 4.09" × 1.69" × 1.22" (excl. cable area)
Weight	Approx. 125 g

• Using SR-PU1 or SR-LR1. AC cable required separately.

Setup software

Model	SR-H5W
Supported OS	Microsoft Windows 8 Professional or later 32 bit/64 bit (Except for Windows RT) Microsoft Windows 7 Professional or later 32 bit/64 bit Microsoft Windows VISTA Business/Ultimate SP2 or later 32 bit*
Running environment	Processor: 2.0 GHz or faster, Memory: 1 GB (32bit) or 2 GB (64bit), DVD-ROM drive: Required for installation, Screen resolution: 1024 × 768 or better

* Windows Vista is not supported with the SR-G100.

- .NET Framework 3.5 SP1 or above has been installed.
- An internet connection is required when installing .NET 3.5 on Windows 8.
- The Control Panel is used for executions when installing .NET 3.5 on Windows 8.



CALL TOLL FREE

TO CONTACT YOUR LOCAL OFFICE
1-888-KEYENCE
1 - 8 8 8 - 5 3 9 - 3 6 2 3

www.keyence.com



SAFETY INFORMATION

Please read the instruction manual carefully in order to safely operate any KEYENCE product.

KEYENCE CORPORATION OF AMERICA

Corporate Office 669 River Drive, Suite 403, Elmwood Park, NJ 07407 PHONE: +1-888-539-3623 FAX: +1-855-539-0123 E-mail: keyence@keyence.com
Sales & Marketing Head Office 1100 North Arlington Heights Road, Suite 210, Itasca, IL 60143 PHONE: +1-888-539-3623 FAX: +1-855-539-0123

AL Birmingham	CA San Jose	CO Denver	IN Indianapolis	MI Grand Rapids	NJ Elmwood Park	OH Cincinnati	PA Pittsburgh	TX Austin	WI Milwaukee
AR Little Rock	CA Cupertino	FL Tampa	KY Louisville	MN Minneapolis	NY Rochester	OH Cleveland	SC Greenville	TX Dallas	
AZ Phoenix	CA Los Angeles	GA Atlanta	MA Boston	MO Kansas City	NC Charlotte	OR Portland	TN Knoxville	VA Richmond	
CA San Francisco	CA Irvine	IL Chicago	MI Detroit	MO St. Louis	NC Raleigh	PA Philadelphia	TN Nashville	WA Seattle	

KEYENCE CANADA INC.

Head Office PHONE: +1-905-366-7655 FAX: +1-905-366-1122 E-mail: keyencecanada@keyence.com
Montreal PHONE: +1-514-694-4740 FAX: +1-514-694-3206 **Windsor** PHONE: +1-905-366-7655 FAX: +1-905-366-1122

KEYENCE MEXICO S.A. DE C.V.

PHONE: +52-55-8850-0100 FAX: +52-81-8220-9097
E-mail: keyencemexico@keyence.com

The information in this publication is based on KEYENCE's internal research/evaluation at the time of release and is subject to change without notice.

Company and product names mentioned in this catalog are trademarks or registered trademarks of their respective companies.

The specifications are expressed in metric units. The English units have been converted from the original metric units.

Copyright (c) 2015 KEYENCE CORPORATION. All rights reserved.

KA1-1066

SRG100-KA-C-US 1125-1 611B33