

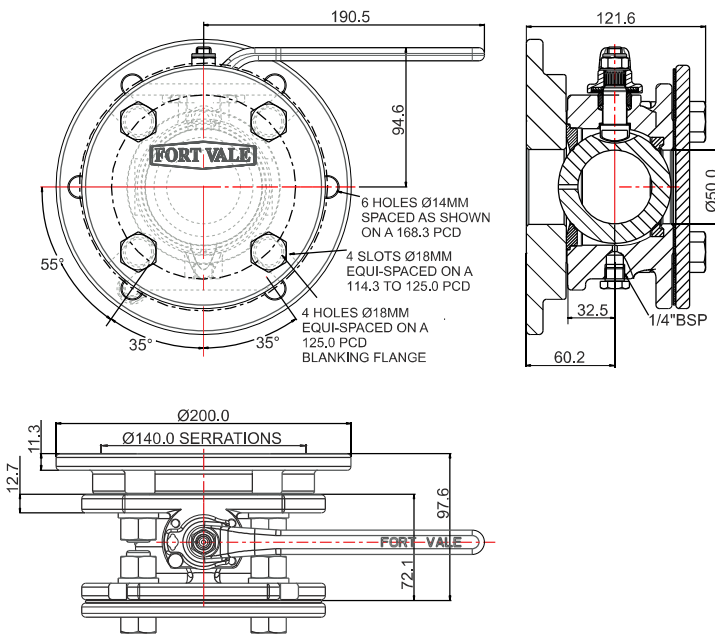


2" Full Bore Ball Valve - for Hydrogen Peroxide tank specification. Inlet drilled 6 x 14mm holes on a 168mm PCD. Outlet drilled 4 x 18mm slots to suit 2" ASA 150, 2" BSTD and DIN 50 PN 10. The inlet flange is specially designed to fit a standard 3" top discharge pad to ensure interchangeability with the Fort Vale 3" flanged butterfly valve. The ball valve body has a 1/4" BSP connection to accept a pressure gauge and the ball incorporates a bleed hole to facilitate monitoring the tank pressure at all times. Contact parts manufactured in 316 stainless steel with PTFE seals.

Options - other inlet flanges available.

Fitting Details

Example shown : 370/0140



Specification

Weight	13.9 Kg
Design Pressure	7 Bar (101.5 PSI)
Hydraulic Test Pressure	15 Bar (217.5 PSI)
Design Temperature	-40°C to 205°C (-40°F to 400°F)

Approved to BS EN14432

Range

Different inlet flange configurations are available upon request.

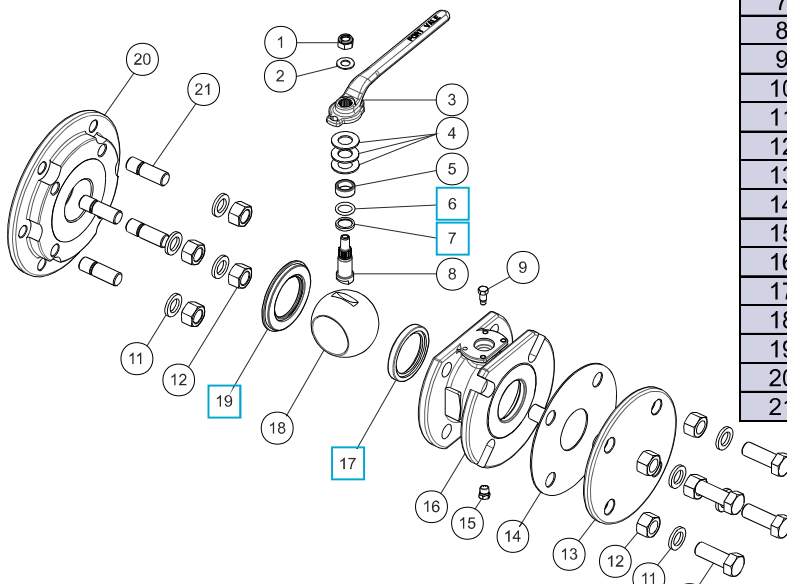
Associated Parts

Part No.	Associated Parts
368/0800	Tank weld-in pad
5005-222P	Solid PTFE gasket
368/0810	Syphon tube stub pipe assembly
5005-169	CNAF/PTFE envelope gasket
312/1000	Stud kit

Parts drawing

Item	Description	Part No.
1	M10 self locking nut	5112-008
2	M10 washer	5113-009
3	Handle	370/0125

Item	Description	Part No.
4	Belleville washer (3)	5113-038
5	Stuffing collar	370/0103
6	PTFE O ring	5005-688 <input type="checkbox"/>
7	Bottom bearing	370/0104 <input type="checkbox"/>
8	2" ball valve spindle	370/0120
9	Stop screw	370/0107
10	M16 hex bolt (4)	5111-031
11	M16 spring washer (8)	5113-012
12	M16 full nut (8)	5112-003
13	Blanking flange	370/4239
14	PTFE gasket	5005-724P
15	1/4" BSP hex head plug	5128-005
16	2" ball valve body	370/0115
17	Rear PTFE ball seal	370/0105 <input type="checkbox"/>
18	2" ball	370/3309
19	Front PTFE ball seal	370/0102 <input type="checkbox"/>
20	Adaptor flange	370/0145
21	M16 stud (4)	S0600/3



SEAL KIT

Part no. 370/01SK contains all parts marked