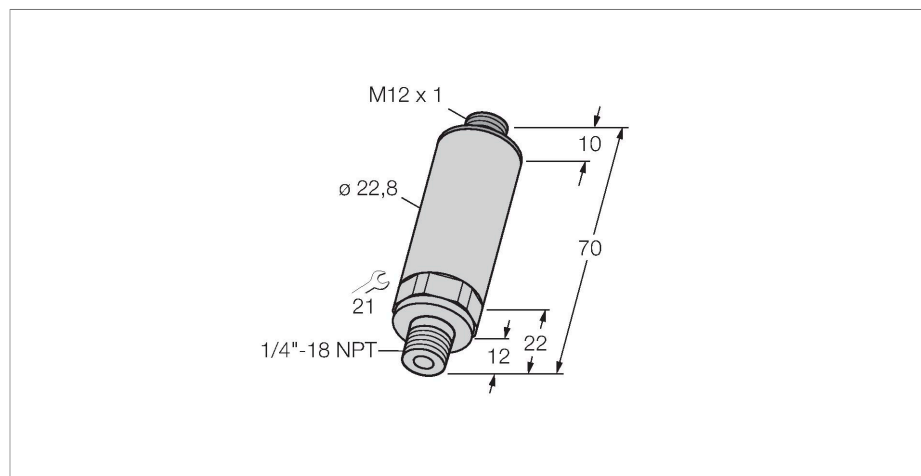


PT-30HG-13-LU2-H1131

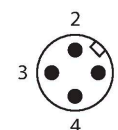
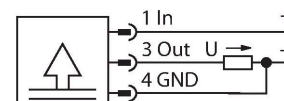
Pressure Transmitter – With Voltage Output (3-Wire)



Features

- Compact and robust design
- Pressure connection with integrated peak pressure aperture
- Minimum influence of temperature on accuracy within the entire temperature range of -40...+125°C
- Excellent EMC properties
- Pressure range 0...-30 in HG rel.

Wiring diagram



Technical data

| | |
|-------------------------------------------|-------------------------------------------|
| Type | PT-30HG-13-LU2-H1131 |
| ID | 6831469 |
| Medium temperature | -40...+125 °C |
| Pressure range | |
| Pressure type | Relative pressure |
| Pressure range | 0...1.016 bar |
| | 0...-14.74 psi |
| | 0...-0.1 MPa |
| Admissible overpressure | ≤ 3 bar |
| Burst pressure | ≥ 3 bar |
| Response time | < 2 ms, typ. 1 ms |
| Long-term stability | ± 1 % FS, In accordance with DIN EN 60770 |
| Power supply | |
| Operating voltage | 11.4...33 VDC |
| Current consumption | ≤ 4 mA |
| Protective measure | SELV according to EN 50178 |
| Short-circuit/reverse polarity protection | yes / yes |
| Insulation class | III |
| Outputs | |
| Output 1 | Analog output |
| Analog output | |
| Voltage output | 0...10 V |
| Load | ≥ 10 kΩ |

Functional principle

The pressure transmitters of the PT...-1 series operate with piezo-resistive ceramic measuring cells. The ceramic diaphragm is unbalanced in proportion to the pressure applied. Depending on the sensor type used, the processed signal is provided as an analog output signal 4...20mA (2-wire) or 0...10V (3-wire).

Technical data

| | |
|-------------------------------------------------|-------------------------------------------------------------------------------|
| Resolution | <± 0.1 % FS |
| Accuracy LHR | ± 0.3 % FS BSL |
| Calibration accuracy 0-point | 0.3 % FS |
| Calibration accuracy full scale | 0.3 % FS |
| Housing material | Stainless-steel/Plastic, 1.4305 (AISI 303) |
| Process connection | 1/4" NPT-18 male thread |
| Pressure connection material | Stainless steel 1.4305 (AISI 303) |
| Pressure transducer material | Ceramic Al ₂ O ₃ |
| Sealing material | FPM |
| Wrench size pressure connection / coupling nut | SW 21 |
| Max. tightening torque of housing nut | 20 Nm |
| Electrical connection | Connector, M12 × 1 |
| Protection class | IP67 |
| Ambient temperature | -40...+85 °C |
| Storage temperature | -40...+85 °C |
| Shock resistance | 100 g (11 ms) , acc. to IEC 68-2-27 |
| Vibration resistance | 20 x g (9...2000 Hz, 2...9 Hz with an amplitude +/-15 mm), acc. to IEC 68-2-6 |
| Reference conditions acc. to IEC 61298-1 | |
| Temperature | 15...+25 °C |
| Atmospheric pressure | 860...1060 hPa abs. |
| Humidity | 45...75 % rel. |
| Auxiliary power | 24 VDC |
| Temperature behaviour | |
| Temperature coefficient span T _{KS} | ± 0.15 % of full scale/10 K |
| Temperature coefficient zero point Tk0 | ± 0.15 % of full scale/10 K |
| MTTF | 114 years acc. to SN 29500 (Ed. 99) 40 °C |

Technical data

| | |
|-------------------------|----------------------|
| Type | PT-30HG-13-LU2-H1131 |
| ID | 6831469 |
| Pressure range | |
| Pressure type | Relative pressure |
| Pressure range | 0...1.016 bar |
| | 0...-14.74 psi |
| | 0...-0.1 MPa |
| Admissible overpressure | ≤ 3 bar |

Technical data

| | |
|------------------------------------------------|-------------------------------------------------------------------------------|
| Burst pressure | ≥ 3 bar |
| Response time | < 2 ms, typ. 1 ms |
| Long-term stability | 1 % FS, In accordance with DIN EN 60770 |
| Power supply | |
| Operating voltage | 11.4...33 VDC |
| Current consumption | ≤ 4 mA |
| Protective measure | SELV according to EN 50178 |
| Short-circuit/reverse polarity protection | yes / yes |
| Protection type and class | IP67 / III |
| Insulation voltage | 500 VDC |
| Outputs | |
| Output 1 | Analog output |
| Analog output | |
| Voltage output | 0...10 V |
| Load | ≥ 10 kΩ |
| Resolution | <± 0.1 % FS |
| Accuracy LHR | ± 0.3 % FS BSL |
| Calibration accuracy 0-point | 0.3 % FS |
| Calibration accuracy full scale | 0.3 % FS |
| Temperature behaviour | |
| Medium temperature | -40...+125 °C |
| Temperature coefficient zero point Tk0 | ± 0.15 % of full scale/10 K |
| Temperature coefficient span T _{ks} | ± 0.15 % of full scale/10 K |
| Ambient conditions | |
| Ambient temperature | -40...+85 °C |
| Storage temperature | -40...+85 °C |
| Vibration resistance | 20 x g (9...2000 Hz, 2...9 Hz with an amplitude +/-15 mm), acc. to IEC 68-2-6 |
| Shock resistance | 100 g (11 ms) , acc. to IEC 68-2-27 |
| Mechanical data | |
| Housing material | Stainless-steel/Plastic, 1.4305 (AISI 303) |
| Pressure connection material | Stainless steel 1.4305 (AISI 303) |
| Pressure transducer material | Ceramic Al ₂ O ₃ |
| Sealing material | FPM |
| Process connection | 1/4" NPT-18 male thread |
| Wrench size pressure connection / coupling nut | SW 21 |
| Electrical connection | Connector, M12 × 1 |

Technical data

Max. tightening torque of housing nut 20 Nm

Reference conditions acc. to IEC 61298-1

Temperature 15...+25 °C

Atmospheric pressure 860...1060 hPa abs.

Humidity 45...75 % rel.

Auxiliary power 24 VDC

MTTF 114 years acc. to SN 29500 (Ed. 99) 40 °C