

SPECIFICATIONS

- high precision and long life (10,000,000 mechanical operations)
- Sealed with gasket diaphragm to provide high sealing property without use of any adhesive or pin



A009142

SPECIFICATIONS

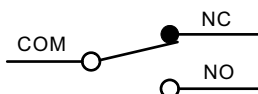
RATINGS

Rated Voltage (V)	Non-inductive load(A)				Inductive load(A)			
	Resistive load		Lamp load		Inductive load		Motor load	
	NC	NO	NC	NO	NC	NO	NC	NO
125VAC	10		3	1.5	10		5	2.5
250VAC	10		2.5	1.25	10		3	1.5
480VAC	3		1.5	0.75	2.5		1.5	0.75
8 VDC	10		3	1.5	6		6	5
14 VDC	10		3	1.5	6		6	5
30 VDC	8		3	1.5	6		5	2.5
125 VDC	0.5		0.4		0.05		0.05	
250 VDC	0.25		0.2		0.03		0.03	

Notes: 1. inductive load: power factor=0.4; time constant =7msec.

2. lamp load has an inrush current of 10 time the steady-state current while motor load has an inrush current of 6 times the steady-state current.

CONTACT CONFIGURATION



CHARACTERISTICS

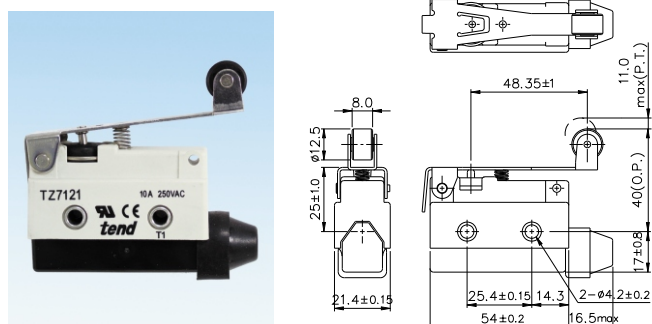
Operating speed	0.01mm to 50cm/sec (at pin plunger)
Operating frequency	120 operations/min
Contact resistance	15m max. (initial)
Insulation resistance	100M max. (at 500 VDC)
Dielectric strength	1,000VAC,50/60Hz, fo 1minute between non-continuous terminals 1,500VAC,50/60Hz, for 1 1minute between current-carrying and non-current-carrying pasts and between each terminal and ground
Vibration	Mechanical durability: 10 to 55HZ,1.5mm double amplitude
Shock	Mechanical durability: 1,000m/S ² (approx. 100G's) malfunction: 300m/S ² (approx. 30G's)
Ambient temperature	Operating:- 10 to +80°C
Humidity	95% HR max. (at+20 to +35°C)
Service life	Mechanically: 10,000,000 operations min. (At rated ot value) Electrically: 500,000 operations min
weight	Approx.60g
Degree of protection	IEC : IP65

OPERATION CHARACTERISTICS

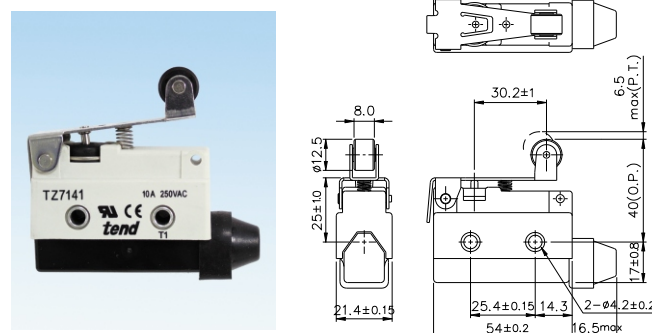
Type	TZ-7100	TZ-7110	TZ-7310	TZ-7311	TZ-7312	TZ-7120	TZ-7140	TZ-7121	TZ-7141	TZ-7124	TZ-7144	TZ-7166
OF Max.	600g	600g	600g	600g	600g	150g	220g	180g	240g	200g	280g	120g
RF Min.	100g	100g	100g	100g	100g	40g	60g	50g	80g	60g	100g	
PT Max.	2.0mm	2.0mm	2.0mm	2.0mm	2.0mm	13.5mm	8.5mm	11.0mm	6.5mm	11mm	6.5mm	25mm
OT Min.	0.8mm	5.0mm	6.0mm	6.0mm	6.0mm	4.0mm	2.5mm	3.0mm	2.0mm	3.0mm	2.0mm	11mm
MD Max.	0.8mm	0.8mm	0.8mm	0.8mm	0.8mm	3.2mm	2.0mm	2.4mm	1.5mm	2.4mm	1.5mm	
OP	30.8±0.8mm	44±1.2mm	21.8±1.2mm	33.3±1.2mm		25±1mm	25±1mm	40±1mm	40±1mm	50±1.2mm	50±1.2mm	
FP						35mm	35mm		46mm		56mm	

DIMENSIONS

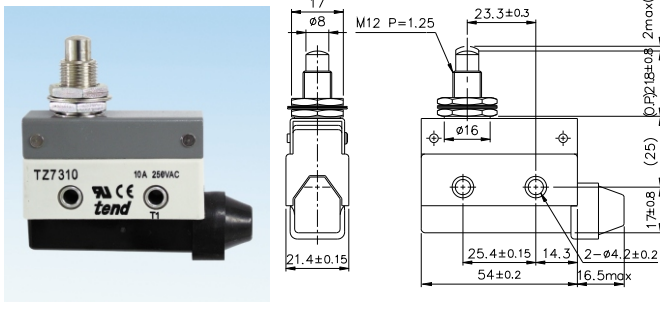
TZ-7121



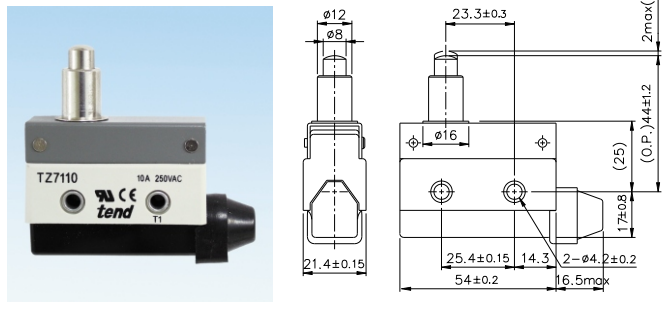
TZ-7141



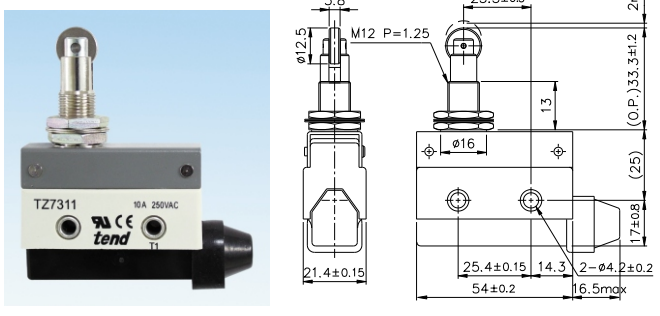
TZ-7310



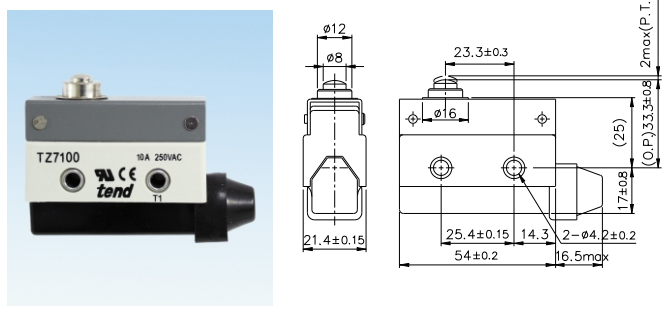
TZ-7110



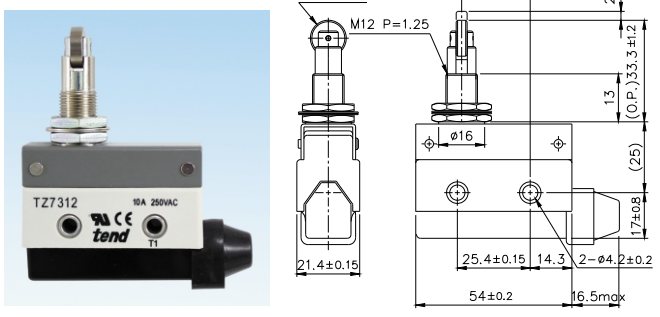
TZ-7311



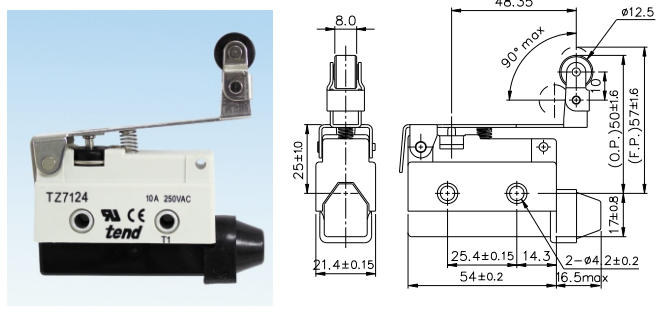
TZ-7100



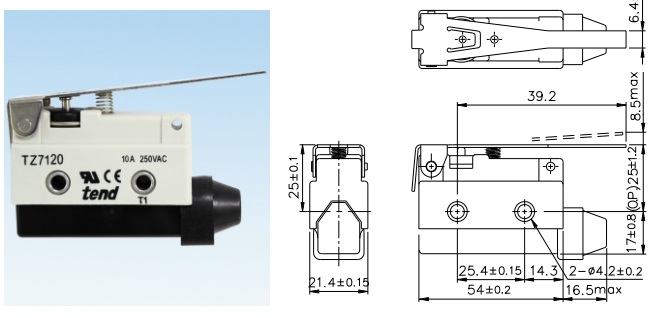
TZ-7312



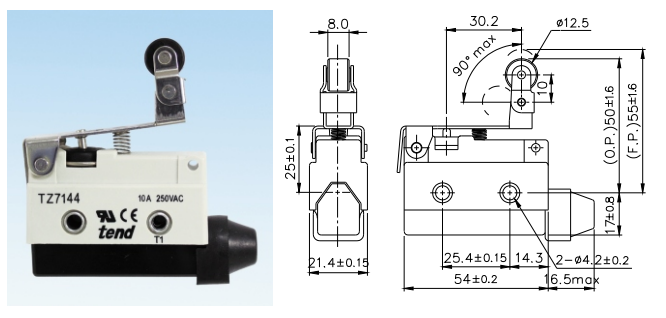
TZ-7124



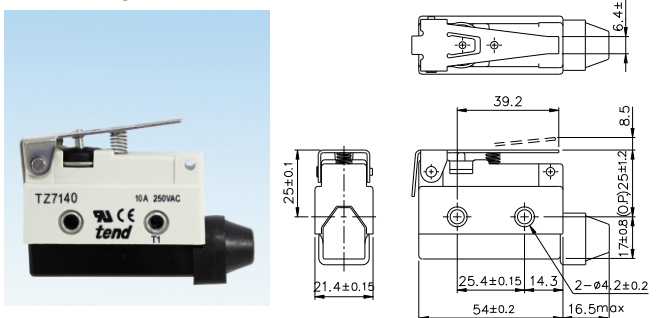
TZ-7120



TZ-7144



TZ-7140



TZ-7166

