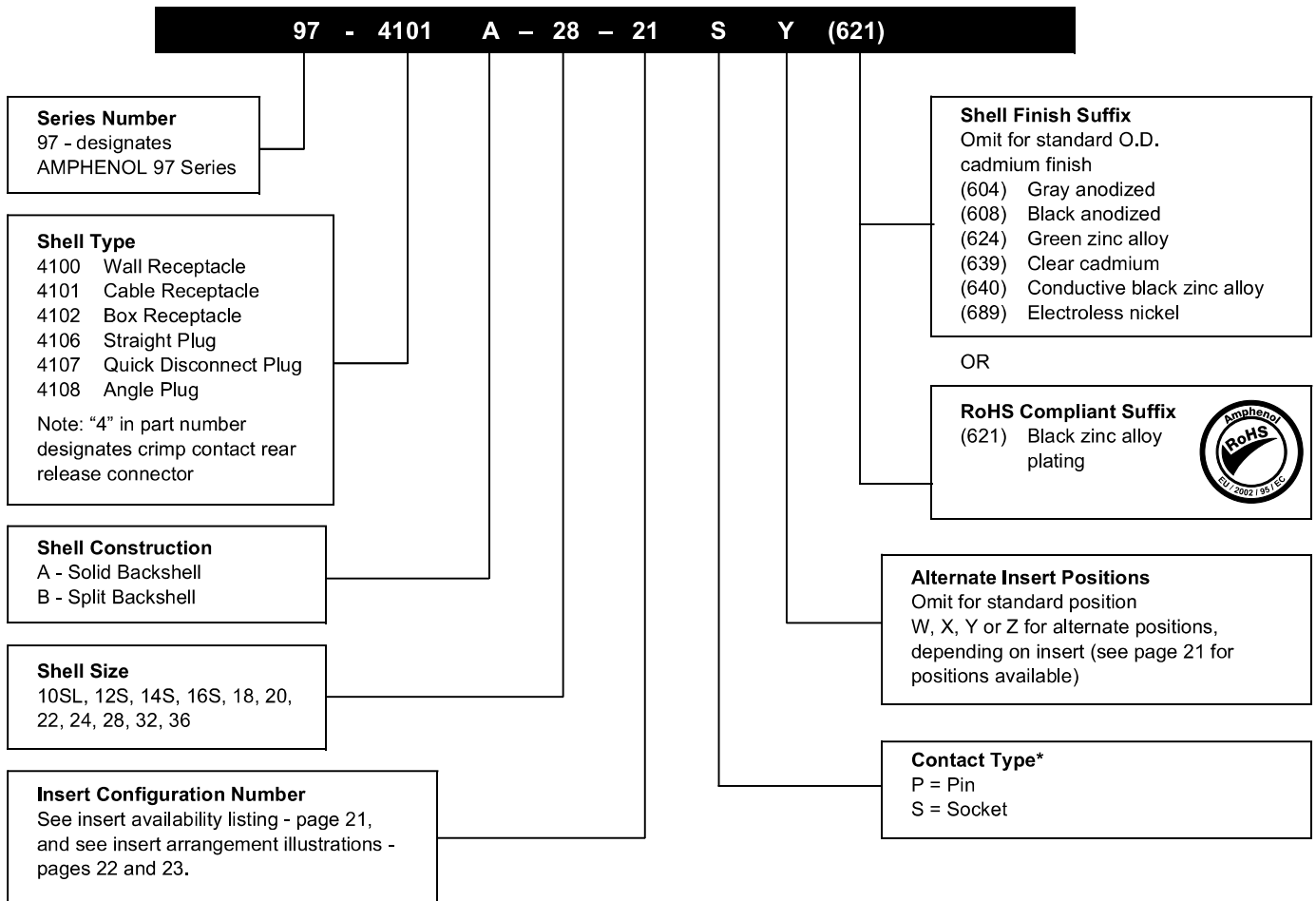


97 series crimp type how to order

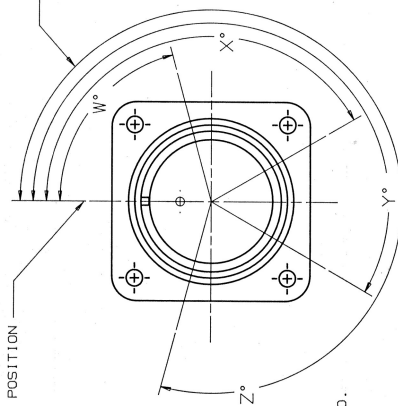
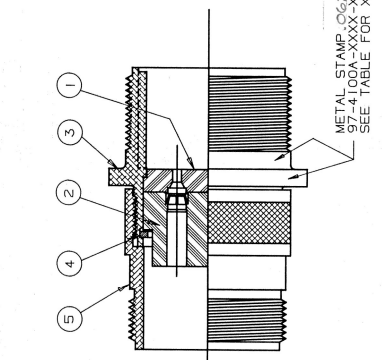
Example of part number for crimp type connectors is given below.



* Contacts are not supplied with connectors, and must be ordered separately. See following pages for contact information.

Note:
Accessories for 97 Series Connectors should be ordered with matching connector plating. See accessory pages 33-39.

NOTE: This drawing is the property of Allied Products and is not to be reproduced without the written consent of Allied Products. The user of this drawing is to be held responsible for any errors or omissions in the drawing and for any damage or loss resulting therefrom. The user is to be held responsible for any damage or loss resulting therefrom.



"W", "X", "Y", AND "Z" LOCATIONS INDICATE ALTERNATE INSERT POSITIONS, SEE NOTE 2.

AMPHENOL PART NO	SHELL SIZE	INSERT CONFIG	ITEM 1 PIN INSERT I. REQ'D.	ITEM 2 RETAINING RING I. REQ'D.	ITEM 3 RECEPTACLE SHELL I. REQ'D.	ITEM 4 RECEPTACLE SHELL I. REQ'D.	ITEM 5 BACK SHELL I. REQ'D.	BENDIX NO.	ITEM 7	ITEM 8	ALTERNATE INSERT POSITIONS			
											W°	X°	Y°	Z°
97-4100A-10SL-3PX	10SL	-3	97-410SL-3PF	97-410SL-3PR	97-82-133 (639)	97-94-10SL	97-93-12 (639)	10-824002-30						
97-4100A-10SL-4PX	10SL	-4	97-410SL-4PF	97-410SL-4PR	97-82-133 (639)	97-94-10SL	97-93-12 (639)	032-4						
97-4100A-12S-3PX	12S	-3	97-412S-3PF	97-412S-3PR	97-82-125 (639)	97-94-12	97-93-12 (639)	032-3						
97-4100A-14S-1PX	14S	-1	97-414S-1PF	97-414S-1PR	97-82-145 (639)	97-94-14	97-93-14 (639)	036-1						
97-4100A-14S-2PX	14S	-2	97-414S-2PF	97-414S-2PR	97-82-145 (639)	97-94-14	97-93-14 (639)	036-2						
97-4100A-14S-5PX	14S	-5	97-414S-5PF	97-414S-5PR	97-82-145 (639)	97-94-14	97-93-14 (639)	036-5						
97-4100A-14S-7PX	14S	-7	97-414S-7PF	97-414S-7PR	97-82-145 (639)	97-94-14	97-93-14 (639)	036-7						
97-4100A-16S-1PX	16S	-1	97-416S-1PF	97-416S-1PR	97-82-165 (639)	97-94-16	97-93-16 (639)	036-1						
97-4100A-16S-8PX	16S	-8	97-416S-8PF	97-416S-8PR	97-82-165 (639)	97-94-16	97-93-16 (639)	036-8						
97-4100A-18-1PX	18	-1	97-418-1PF	97-418-1PR	97-82-18 (639)	97-94-18	97-93-18 (639)	036-1						
97-4100A-18-4PX	18	-4	97-418-4PF	97-418-4PR	97-82-18 (639)	97-94-18	97-93-18 (639)	036-4						
97-4100A-18-11PX	18	-11	97-418-11PF	97-418-11PR	97-82-18 (639)	97-94-18	97-93-18 (639)	036-11						
97-4100A-18-12PX	18	-12	97-418-12PF	97-418-12PR	97-82-18 (639)	97-94-18	97-93-18 (639)	036-12						
97-4100A-18-19PX	18	-19	97-418-19PF	97-418-19PR	97-82-18 (639)	97-94-18	97-93-18 (639)	036-19						
97-4100A-18-20PX	18	-20	97-418-20PF	97-418-20PR	97-82-18 (639)	97-94-18	97-93-18 (639)	036-20						
97-4100A-20-4PX	20	-4	97-420-4PF	97-420-4PR	97-82-20 (639)	97-94-20	97-93-20 (639)	036-4						
97-4100A-20-7PX	20	-7	97-420-7PF	97-420-7PR	97-82-20 (639)	97-94-20	97-93-20 (639)	036-7						
97-4100A-20-27PX	20	-27	97-420-27PF	97-420-27PR	97-82-20 (639)	97-94-20	97-93-20 (639)	036-27						
97-4100A-22-14PX	22	-14	97-422-14PF	97-422-14PR	97-82-22 (639)	97-94-22	97-93-22 (639)	036-14						
97-4100A-24-2PX	24	-2	97-424-2PF	97-424-2PR	97-82-24 (639)	97-94-24	97-93-24 (639)	036-2						
97-4100A-28-9PX	28	-9	97-428-9PF	97-428-9PR	97-82-28 (639)	97-94-28	97-93-28 (639)	036-9						
97-4100A-28-11PX	28	-11	97-428-11PF	97-428-11PR	97-82-28 (639)	97-94-28	97-93-28 (639)	036-11						
97-4100A-28-12PX	28	-12	97-428-12PF	97-428-12PR	97-82-28 (639)	97-94-28	97-93-28 (639)	036-12						
97-4100A-28-20PX	28	-20	97-428-20PF	97-428-20PR	97-82-28 (639)	97-94-28	97-93-28 (639)	036-20						
97-4100A-28-21PX	28	-21	97-428-21PF	97-428-21PR	97-82-28 (639)	97-94-28	97-93-28 (639)	036-21						
97-4100A-32-8PX	32	-8	97-432-8PF	97-432-8PR	97-82-32 (639)	97-94-32	97-93-32 (639)	036-8						
97-4100A-32-41PX	32	-41	97-432-41PF	97-432-41PR	97-82-32 (639)	97-94-32	97-93-32 (639)	036-41						
97-4100A-36-10PX	36	-10	97-436-10PF	97-436-10PR	97-82-36 (639)	97-94-36	97-93-36 (639)	036-10						

NOTES:
1. METAL STAMP CONNECTOR WITH SPECIFIC CONTROL NUMBER IDENTIFY PART NO. 97-8905
2. SUFFIX IN PART NO. INDICATES ALTERNATE INSERT POSITIONS. NO SUFFIX REQUIRED FOR NORMAL INSERT POSITION.
3. PACK IN POLYCEL BAG OR EQUIVALENT AND IDENTIFY-
"AMPHENOL" PART NO.
AMPHENOL PART NO.
MONTH AND YEAR MANUFACTURED
QUANTITY AND UNIT (EACH)

PART NO. BREAKDOWN
97 - 4100 A - 18 - 19 P X
SERIES
REAR RELEASE WALL RECEPTACLE
SOLID SHELL
SHELL SIZE
ALTERNATE INSERT POSITION. OMIT FOR NORMAL POSITION
PIN CONTACT
INSERT CONFIGURATION

ROTATIONS
P5I, KM

REV. NO.	DATE	DESCRIPTION	APPROVED
1	5-20-84	REVISIONS	PROVINSKY
2		REDRAWN WITH NO CHANGE (WAS 2 SHIT'S.)	
3		REVISIONS	
4		REVISIONS	

ITEM NO.	PART OR IDENTIFYING NO.	QTY. REQ'D.	DESCRIPTION	LIST OF MATERIALS OR PARTS LIST
1	97-4100A-10SL-3PX	1	REAR RELEASE WALL RECEPTACLE	Commercial & Industrial Operations Lark, IL 60532
2	97-4100A-18-19PX	1	SOLID SHELL	
3	97-4100A-36-10PX	1	SHELL SIZE	

REV. NO.	DATE	TITLE	REV.
1	1-10-78	WALL MOUNT RECEPTACLE ASSEMBLY REAR RELEASE WITH PIN INSERT	L
2	1-10-78	WALL MOUNT RECEPTACLE ASSEMBLY REAR RELEASE WITH PIN INSERT	L

ITEM NO.	REV. NO.	DATE	DESCRIPTION
1	1	5-20-84	REVISIONS
2	2		REVISIONS
3	3		REVISIONS
4	4		REVISIONS