

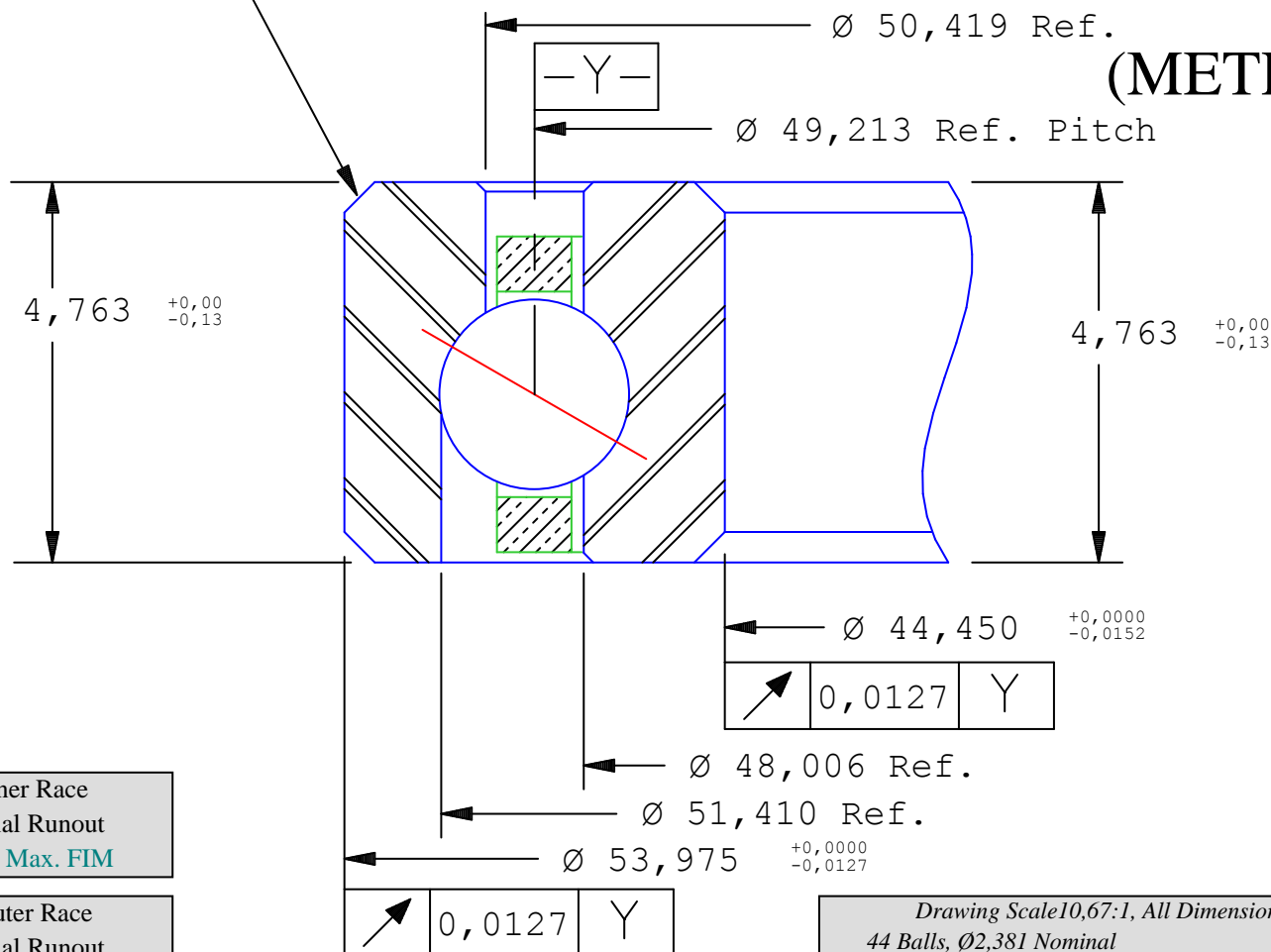
TECHNICAL DATA SHEET

KAA17AG0



Will Clear 0,38
Max. Fillet Radius
4 Exterior Corners

(METRIC)



Inner Race
Axial Runout
.0127 Max. FIM

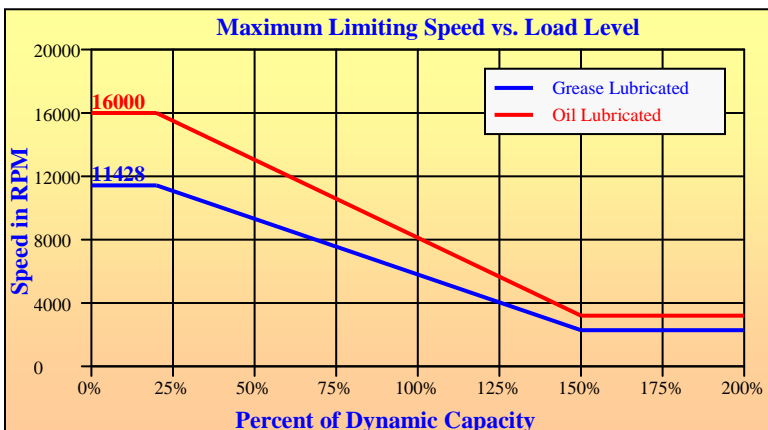
Outer Race
Axial Runout
.0127 Max. FIM

Drawing Scale 10,67:1, All Dimensions in
44 Balls, Ø2,381 Nominal
Approximate Mass = .020 kg.

Part Number Detail	
K	Vacuum Degassed 52100 Steel
A]= 4,762 x 4,762 Cross Section
1]= Bore Size x 10 in Inches
7]= Angular Contact Ball Radial Bearing
A	= Nylon 1 Piece - Circular Pocket
G	= Precision Class 1

Standard Recommended Fits			
If Used Face-to-Face		If Used Back-to-Back	
Ø Shaft	Ø Housing	Ø Shaft	Ø Housing
44,450	53,975	44,435	53,962
44,465	53,988	44,420	53,950

Static and Dynamic Ratings		
	Static	Dynamic
Radial	2.344 N.	1.117 N.
Axial	6.766 N.	2.677 N.
Moment	0 N-m.	0 N-m.



Capacities do not apply simultaneously, and are based on the 'G' separator. The Static ratings are based on the onset of permanent non-detrimental deformation. The Dynamic rating is based on 1,000,000 revolutions L10 life.

AVAILABLE FROM STOCK
For More Information, call Kaydon at (231)-755-3741
Kaydon Reserves the Right to Change Specifications and Other Information Without Notice
Kaydon REALI-DESIGN ver. 2.70 Saved 04.11.2016 09:02:59