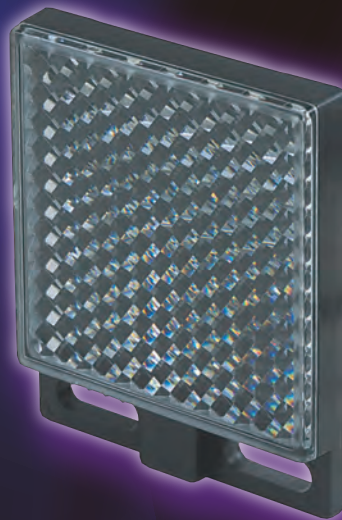


Photoelectric Switch

PEY series

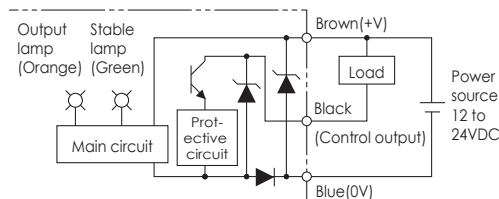


Specification

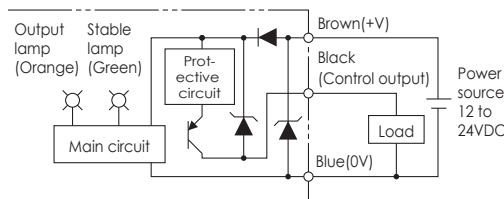
| Type | Through-beam type | | Retro-reflection type | | Diffuse-reflection type | | | | |
|------------------------|---|----------|---|----------|----------------------------|----------|------------------|----------|-----------|
| | | | | | Standard | | Short distance | | |
| Model No. | PEY-155C | PEY-155A | PEY-303C | PEY-303A | PEY-601C | PEY-601A | PEY-102C | PEY-102A | PEY-002C |
| Power source | 12 to 24VDC (10 to 30V including ripple 10%) | | | | | | | | |
| Current consumption | Projector : 20mA or less Receiver : 15mA or less | | 20mA or less | | 25mA or less | | 20mA or less | | |
| Light source | Red LED | | | | | | | | |
| Detection distance | 1.5m | | 0.01 ~ 3m | | 0.6m | | 10 to 90mm | | 1 to 70mm |
| Detectable object | Opaque object of $\phi 12\text{mm}$ or more | | Opaque object of $\phi 50\text{mm}$ or more | | Transparent/opaque objects | | | | |
| Operating mode | Changeover of LIGHT-ON/DARK-ON | | | | | | | | |
| Output | NPN | PNP | NPN | PNP | NPN | PNP | NPN | PNP | NPN |
| Control output | 100mA 30VDC or less for both NPN & PNP, residual voltage 1.8V 100mA or less | | | | | | | | |
| Response time | 0.5msec or less | | | | | | | | |
| Sensitivity adjustment | Provided | | | | | | | | |
| Indication lamps | Stable lamp : Green LED , Output lamp : Orange LED | | | | | | | | |
| Connection | length 2m , $\phi 3.8\text{mm}$, 3cores (Projector of through-beam type is 2 cores.) | | | | | | | | |
| Ambient illuminance | Sunlight : 10,000lx or less , incandescent lamp : 3,000lx or less | | | | | | | | |
| Ambient temperature | -25 to +55 °C (-40 to +70°C when stored) | | | | | | | | |
| Ambient humidity | 35 to 85% (35 to 95% when stored) , not icing/not condensing | | | | | | | | |
| Vibration resistance | Double amplitude 1.5mm, 10 to 55Hz, each 2 hour in X, Y and Z directions | | | | | | | | |
| Impact resistance | 1,000m/s ² , each 3 time in X, Y and Z directions | | | | | | | | |
| Protective structure | IP67 (IEC standard) | | | | | | | | |
| Case material | Main body : ABS resin including glass fiber , lens(Front cover) : PMMA resin | | | | | | | | |
| Weight | Approx. 50g for projector and 55g for receiver | | Approx. 55g | | | | | | |
| Attachment | Mounting bracket | | Mounting bracket and Reflector(RRP-50S-V) | | Mounting bracket | | Mounting bracket | | |

Output circuit

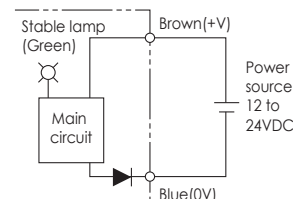
▷ NPN output



▷ PNP output

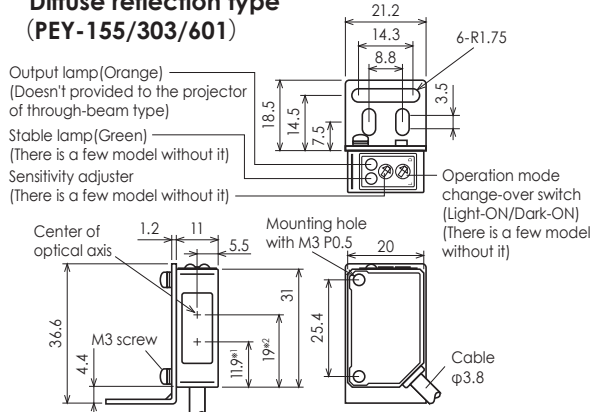


▷ Projector of through beam type



External dimensions

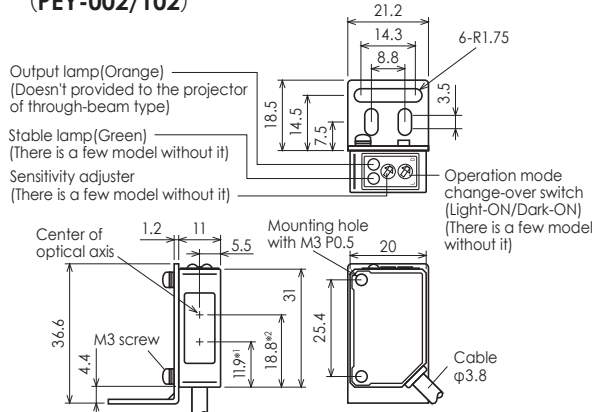
▷ Through-beam type / Retro-reflection type Diffuse reflection type (PEY-155/303/601)



*1 This is the center position of light-projection for retro-reflection type and diffuse reflection type.

*2 This is the center position of light-projection/light-reception for through-beam type and the center position of light-reception for retro-reflection type and diffuse reflection type.

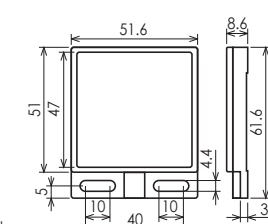
▷ Limited range type (PEY-002/102)



*1 This is the center position of light-projection.

*2 This is the center position of light-reception.

▷ Reflector (RRP-50S-V)



*RRP-50S-V is attached to PEY-303C.



Osaka HU Building, 2-2-5 Tokiwamachi, Chuo-Ku,
Osaka, Japan. 540-0028
TEL: +81-6-6947-6333 FAX: +81-6-6947-6350
URL <http://www.hokuyo-aut.jp>
E-mail: info@hokuyo-aut.jp