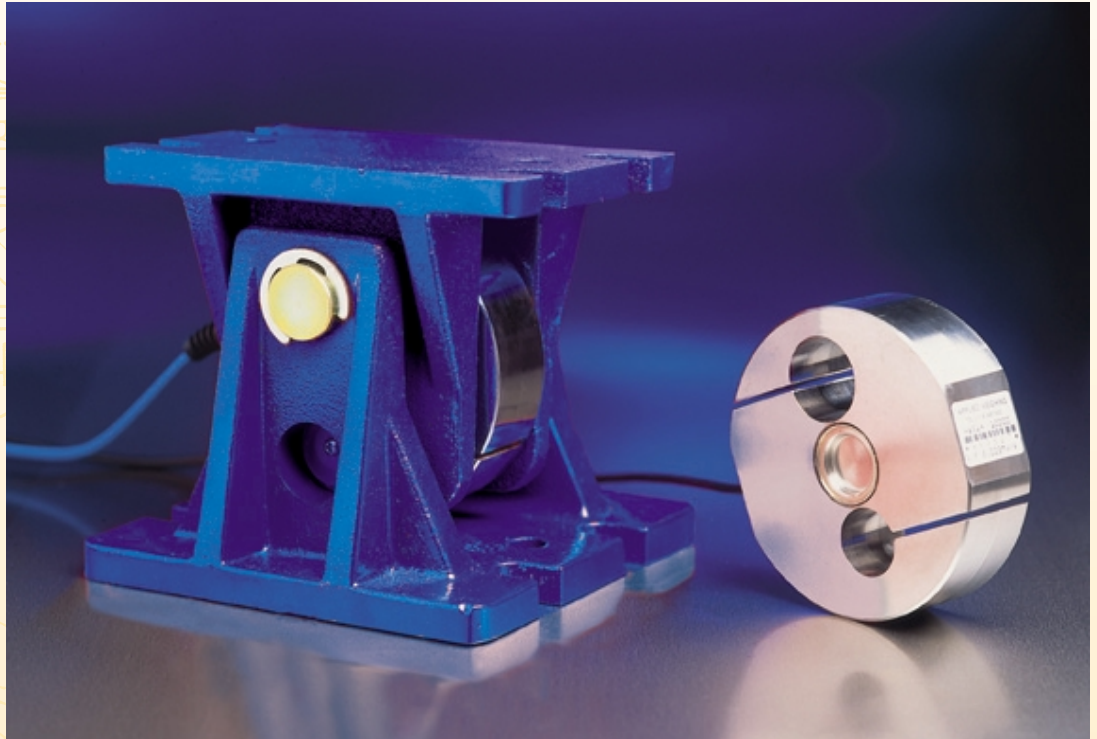




# TITAN RANGE

## MODEL 95 LOAD CELL



3-3805

717272

717273

717262-Uni

### Features

- Capacities from 2,000 kg to 10,000 kg.
- Simplified installation.
- Fully sealed, plated tool steel load cell (IP66).
- Extremely robust.
- Five year guarantee.
- CE approval.
- Optional - Shackle mounts for tension applications (Details on request).
- Optional - Fully welded stainless steel version (IP68).

### Description

The **Titan Model 95** is designed to be used in conjunction with a compression load mount. Although the force is applied in compression, the cell is always loaded in tension, thereby ensuring that the applied force is always maintained through the central axis. The assembly is ideally suited to applications requiring high accuracy and where movement or vibration is present. For example: Mixers, catalyst vessels and weighing platforms. The loading assembly will accept considerable movement or misalignment and incorporates lift-off prevention, without applying reverse load to the cell.

# ENGINEERING SPECIFICATIONS

## THE TITAN RANGE - MODEL 95

### Specifications

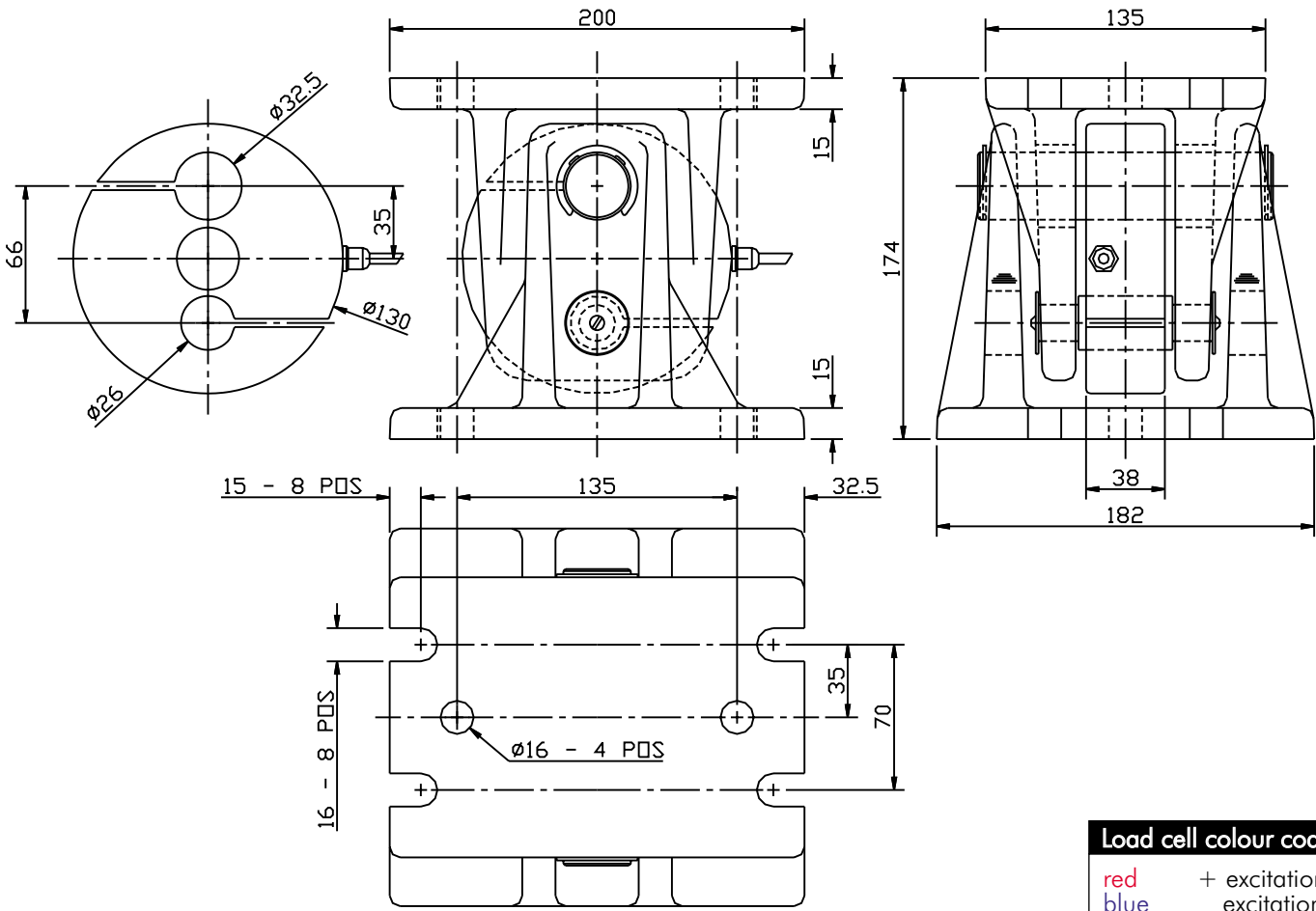
Full Scale Output:	2mV/V Nom	Safe Overload:	150%
Creep (in 20 minutes):	0.02% max	Output Resistance:	350 ± 10
Nonlinearity:	0.03% max	Insulation Resistance:	>2000 M
Hysteresis:	0.02% max	Zero Balance:	±1% F.S.
Non-Repeatability:	0.01% max	Supply Voltage:	6-12 V (DC or AC)
Max Operating Temp:	+80°C	Max Voltage:	15V
Min Operating Temp:	-20°C		

### SELECTION GUIDE BY PART NUMBER

Capacity	Plated tool steel cell	Welded stainless steel cell	Nylon coated cast steel assembly	Notes
2000 kg	AW514/02000	AW513/02000	} AW342/00000	CABLE: 6 METRES, 4 CORE SCREENED
5000 kg	AW514/02000	AW513/02000		
10000 kg	AW514/10000	AW513/10000		

CONSULT FACTORY FOR TENSION DETAILS

All units in mm



Load cell colour code	
red	+ excitation
blue	excitation
green	+ signal
yellow	signal

In the interest of continued product development, Applied Weighing reserves the right to alter product specifications without prior notice.  
 APPLIED WEIGHING INTERNATIONAL LIMITED, Unit 5, Southview Park, Marsack St., Caversham, Reading, England RG4 5AF  
 Tel: (0118) 9461900 Fax: (0118) 9461862 E-mail: sales@appliedweighing.co.uk Web site: www.appliedweighing.co.uk