

# Technical Data

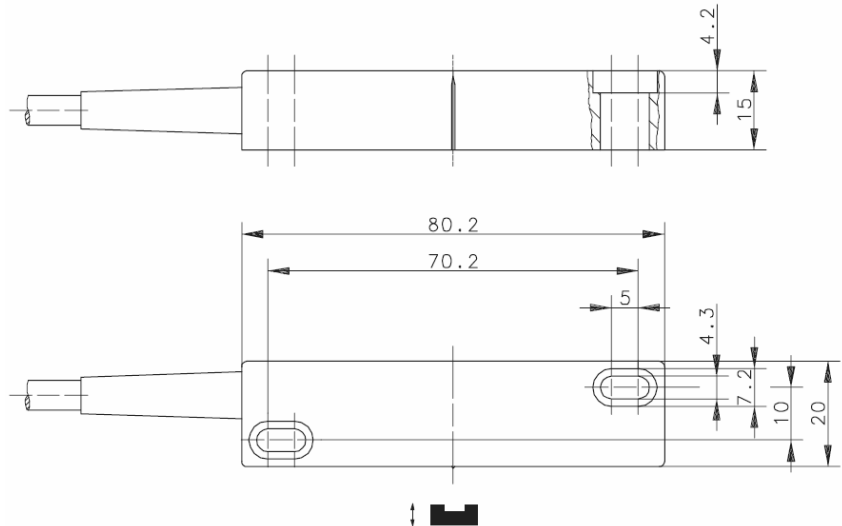
## Magnetic Switch

### Series MA-12

Type designation **MAK-1212-F-3**

Item number **6314212439**

#### Wiring diagram



#### Identifying characteristics in accordance with EN 60947-5-1 and EN 62246-1

##### Electrical data

Assured operating distance	$S_a$	21 mm
Output function		N.O.
Max. voltage		250 V AC/DC
Max. switch current		3,0 A
Max. switching		120 VA
Mechanical lifetime (reed contact)		$3 \times 10^8$ switchings, however, according to the load resetability
Repeat accuracy	$R$	$\pm 0,1$ mm, under same geometrical conditions at the same temperature
Max. reset point		49 mm
Shock		50 g (11 ms, $\frac{1}{2}$ sine wave)
Vibration		35 g (10 – 1000 Hz)
Corresponding magnets		TK-21-12

##### Mechanical data

Housing	PA 6.6, red; encapsulated reed contact
Ambient air temperature	-5 °C ... +70 °C
Type of protection	-20 °C ... +70 °C (cable fixed mounted)
Connection	IP 67 according to IEC 529, EN 60529
Assembly position	Cable 2 x 0,5 mm <sup>2</sup> x 3 m; PVC – Outer jacket, black optional (assembly on iron means reduction of switch distance)

##### EU Conformity

acc. to directive 2006 / 95 / EC

Pay attention to the contact protection when switching inductive loads.

This document will not become the contractual basis; the details included herein do not constitute any descriptions of expected conditions, so that warranties/claims for defects on account of possible variations of the actual from the here described condition are excluded. Subject to modifications and amendments.

Date of issue: 23.04.2013 / Page 1 von 1  
Document : 6314212439\_en / Stand : 1 / 0168-13