



Single- and Multi-Venturi Vacuum Generators



www.gastmfg.com



ISO 9001 and 14001 Certified

GAST SINGLE-AND MULTI-STAGED VACUUM GENERATORS- DELIVERING UNMATCHED PERFORMANCE, PRICE, AND VERSATILITY

When compressed air is forced through a conical nozzle, its velocity increases and a decrease in pressure occurs. This principle, discovered by 18th century physicist G.B. Venturi, can be used to generate vacuum economically without a single moving part.

Multi-Venturi Design

Gast Manufacturing Corporation's patented design of vacuum generators incorporates a series of venturi nozzles. Each nozzle has a progressively larger orifice selected to extract the maximum amount of energy from the compressed air while optimizing the levels of vacuum generated.

Normally, no special prefilters are required because the venturi nozzles are aligned to allow "straight through" air flow. Thus, any air line contaminants easily clear the generator without clogging or build-up.

Packaged in compact, light-weight housings, the entire family of Gast multi-venturi vacuum generators are easy to use and provide outstanding performance at a price that makes sense for even the most demanding applications.

Two Families of High Performance Vacuum Generators

Select from either single-or multi-stage designs to achieve up to 27.0 inches of mercury with vacuum flow rates ranging from .2 CFM to 158 CFM.

Only two pipe connections are required: (1) compressed air supply, and (2) vacuum port. Both ports are contained in one head for ease of installation. Should field modification or repair ever be necessary, the body of the pump can be removed without disturbing any of the plumbing.

Multi-stage units are manufactured with brass venturi nozzles housed in either Delrin® acetal or anodized aluminum vacuum stages. Delrin® is a tough plastic resistant to compressor oils and a variety of chemicals. Anodized aluminum, also used on the single-stage models, offers the ultimate in chemical resistance and is ideal for severe duty, aggressive gas applications.

The finished assembly is then encased in an outer body shell of anodized aluminum tubing. Gaskets and check valves are neoprene or viton, depending on the model, tie rods are steel.

Ten Important Design Features That Set Us Apart

• Compressed Air Driven

GAST vacuum generators are easy to install. They operate efficiently on shop air and avoid the possible spark associated with electric motors on critical applications. And, there's no RF noise generated to affect electrical/ electronic systems either.

• Economical to Operate

The innovative Gast multi-venturi design uses less compressed air, yet delivers substantially more vacuum flow than single-venturi units.

• Compact Size

Allows the vacuum source to be located closer to the point of use. Shorter air lines cost less and quicken response.

• Light-Weight Construction

Most models weigh less than one pound, providing maximum flexibility and mounting ease.

• Superior Control

Vacuum levels are controlled by adjusting inlet pressure. Generators can be cycled on and off by controlling inlet pressure rather than by regulating the vacuum line through venting to atmosphere. Maximum performance and lowest noise is achieved at stated optimum inlet pressure.

• Low Air Consumption

Multi-venturi design improves efficiency to achieve 90% vacuum (27" Hg against a barometric pressure of 29.92") while attaining high vacuum flow rates.

• No Moving Parts

Expect extra long life with no lubrication required.

• Quiet Operation

Generators can be used with exhaust silencers, resulting in low noise levels in the 60-65 dB range.

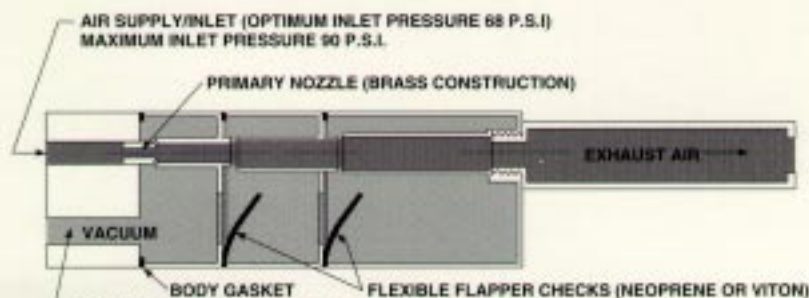
• Minimal Maintenance

Plan for virtually no down time. The units can be flushed with soap and water and reassembled in 2 minutes --all without removing the generator from its mounting location.











• Low Cost

Pricing that's well below foreign imports is only part of the picture. Combined with ease of installation, control and maintenance, it means that your total investment is far less when you use Gast Manufacturing vacuum generators.

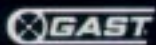
Efficient, Reliable, Straight-Through Venturi Design (Multi-stage model shown here)





*Model Number	Description	Air Flow		Maximum V ac		Air Consumption	Page No.
		cfm @ 0' Hg	m3/h @ 1000 mbar	Inches Hg	mbar	cfm @ Suggested Operating Pressure	
 VG-005-00-00	Single-Stage	.2	0.3	27	99	.46	4-5
VG-010-00-00	High	.95	1.6	26	133	1.60	
VG-015-00-00	Vacuum	2.2	3.7	27	99	3.50	
VG-020-00-00	Series	4	6.8	27	99	6.40	
 VG-007-00-00	Single-Stage	.46	.78	17	420	.49	6-7
 VG-012-00-00	High	1.6	2.7	17	420	1.90	
 VG-017-00-00	Flow	4.1	7.0	17	420	4.06	
 VG-022-00-00	Series	6.8	11.6	17	420	7.09	
VG-280-L0-00		28	47.6	7.5	757	13.00	
VG-340-M0-00		34	57.8	16.5	455	26.40	
 VG-065-00-00	Multi-Stage	6.8	11.6	27	99	2.7	8-9
VG-065-V0-00	High	6.8	11.6	27	99	2.7	
VG-130-00-00	Vacuum	12	20.4	27	99	4.9	
VG-130-V0-00	Series	12	20.4	27	99	4.9	
VG-260-00-00		17	28.9	26	133	7.0	
VG-260-V0-00		17	28.9	26	133	7.0	
 VG-075-00-00	Multi-Stage	12	20.4	20	335	3.4	10-11
VG-140-00-00	High Flow	16	27.2	20	335	5.5	
VG-140-V0-00	Series	16	27.2	20	335	5.5	
 VG-066-00-00	Multi-Stage	6.8	11.6	26	133	2.7	12-13
VG-076-00-00	Severe-Duty	12	20.4	20	335	3.4	
VG-131-00-00	Series	12	20.4	26	133	4.9	
VG-141-00-00		16	27.2	20	335	5.5	
VG-261-00-00		17	28.9	26	133	7.0	
VG-271-00-00		26	44.2	20	335	13.4	
 VG-260-02-00	Multi-Stage	36	61.1	26	133	14	14-15
VG-260-04-00	(Combination)	71	120.6	26	133	28	
VG-260-08-00	High	158	268.5	26	133	56	
VG-261-02-00	Performance	36	61.1	26	133	14	
VG2-61-04-00	& Severe-Duty	71	120.6	26	133	28	
VG-261-08-00	Series	158	268.5	26	133	56	
 Vacuum Cups	Various Sizes	—	—	—	—	—	16
Accessories		—	—	—	—	—	17
Application Engineering Information							18

* Reference individual specification sheets for equivalent metric models



Single-Stage Vacuum Generators to 27" Hg



High Vacuum Series



VG-005-00-00 (METRIC VERSION MG-005-00-00)
27" HG MAX. VAC., UP TO .2 CFM VACUUM FLOW

VG-010-00-00 (METRIC VERSION MG-010-00-00)
26" HG MAX. VAC., UP TO .95 CFM VACUUM FLOW

VG-015-00-00 (METRIC VERSION MG-015-00-00)
27" HG MAX. VAC., UP TO 2.2 CFM VACUUM FLOW

VG-020-00-00 (METRIC VERSION MG-020-00-00)
27" HG MAX. VAC., UP TO 4 CFM VACUUM FLOW

NOTE: Unit shown without sound attenuator

PRODUCT FEATURES

- Low cost vacuum source
- Compact size/easy to mount
- No moving parts/zero maintenance
- Metric versions available—consult factory

INCLUDES

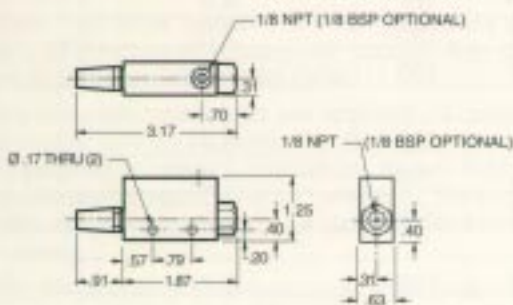
- VG2016 sound attenuator (VG-005)
- B300Q sound attenuator (VG-010)
- VG2045 sound attenuator (VG-015)
- VG2055 sound attenuator (VG-020)

Important Notice:

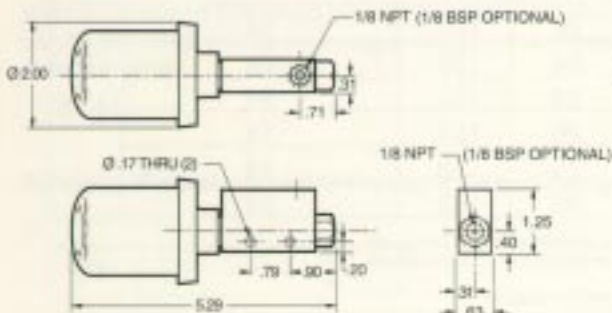
Pictorial and dimensional data is subject to change without notice.

Product Dimensions - with Sound Attenuators (inches)

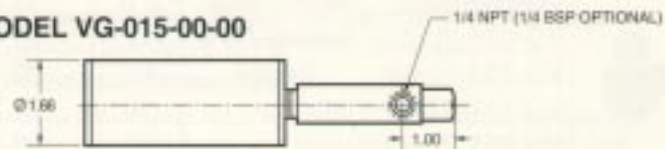
MODEL VG-005-00-00



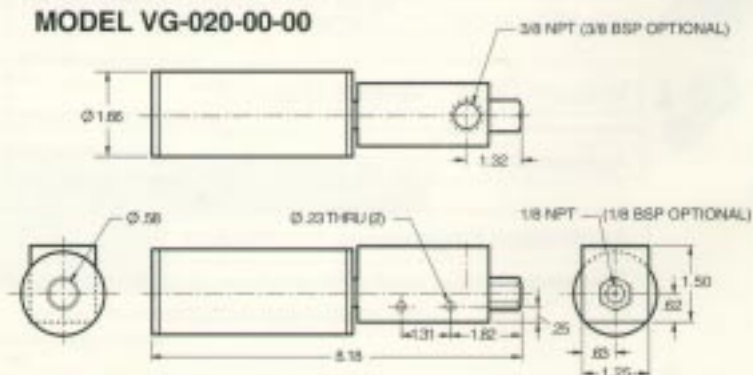
MODEL VG-010-00-00



MODEL VG-015-00-00



MODEL VG-020-00-00



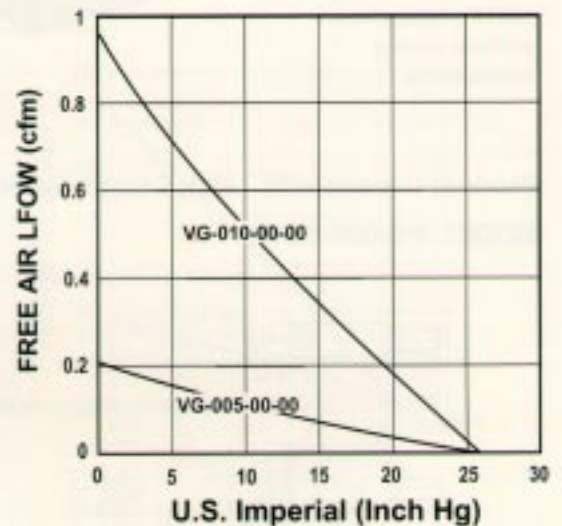
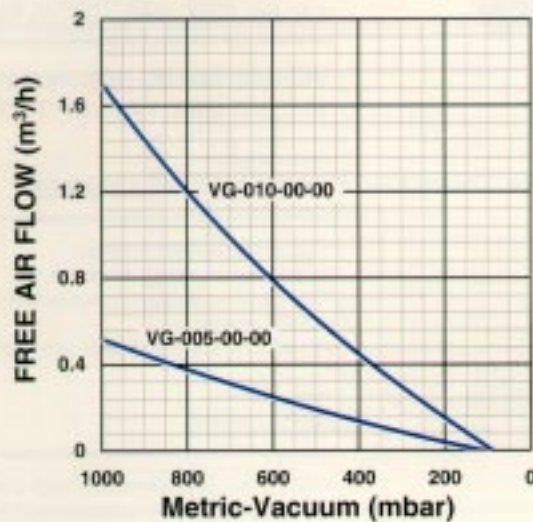
Product Specifications

Model Number*	Suggested Operating Pressure	Air Consumption @ Suggested Operating Pressure	Vacuum Port Size	Supply Air Port Size	Net Weight
VG-005-00-00	30-75 PSI	.46 CFM	1/8" NPT	1/8" NPT	3 ounces
VG-010-00-00	30-75 PSI	1.60 CFM	1/8" NPT	1/8" NPT	3 ounces
VG-015-00-00	30-75 PSI	3.50 CFM	1/4" NPT	1/8" NPT	6 ounces
VG-020-00-00	30-75 PSI	6.40 CFM	3/8" NPT	1/8" NPT	12 ounces

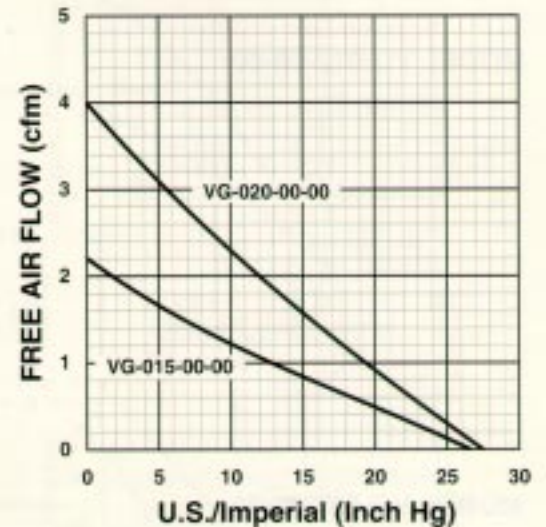
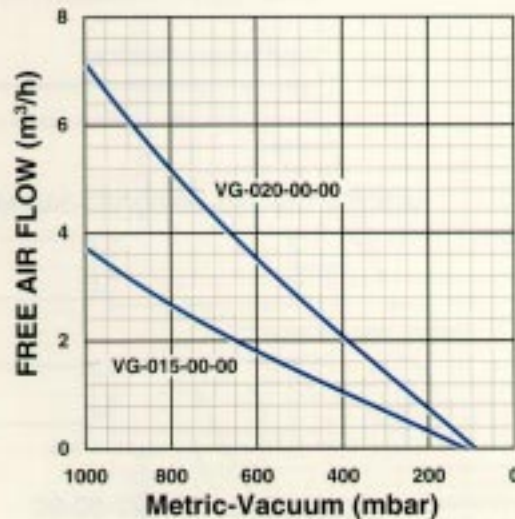
* Metric versions have identical performance specifications.

Product Performance (Metric U.S. Imperial)

Models VG-005 VG-010



Models VG-015 VG-020





High Flow Series



NOTE: Unit shown without sound attenuators.

VG-007-00-00 (METRIC VERSION MG-007-00-00)
17" HG MAX. VAC., UP TO .46 CFM VACUUM FLOW

VG-012-00-00 (METRIC VERSION MG-012-00-00)
17" HG MAX. VAC., UP TO 1.6 CFM VACUUM FLOW

VG-017-00-00 (METRIC VERSION MG-017-00-00)
17" HG MAX. VAC., UP TO 4.1 CFM VACUUM FLOW

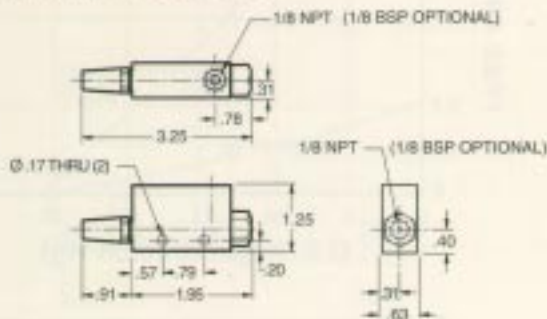
VG-022-00-00 (METRIC VERSION MG-022-00-00)
17" HG MAX. VAC., UP TO 6.8 CFM VACUUM FLOW

VG-280-L0-00 (METRIC VERSION MG-280-L0-00)
7.5" HG MAX. VAC., UP TO 28 CFM VACUUM FLOW

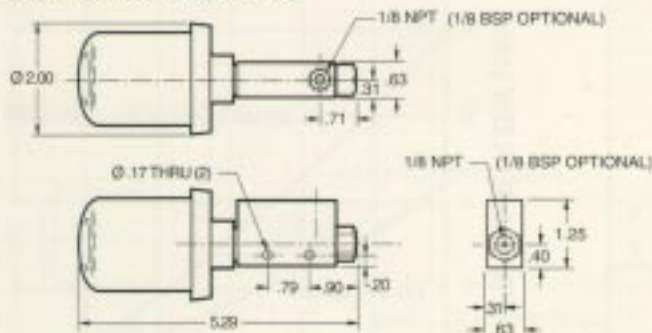
VG-340-M0-00 (METRIC VERSION MG-340-M0-00)
16.5" HG MAX. VAC., UP TO 34 CFM VACUUM FLOW

Product Dimensions - with Sound Attenuators (inches)

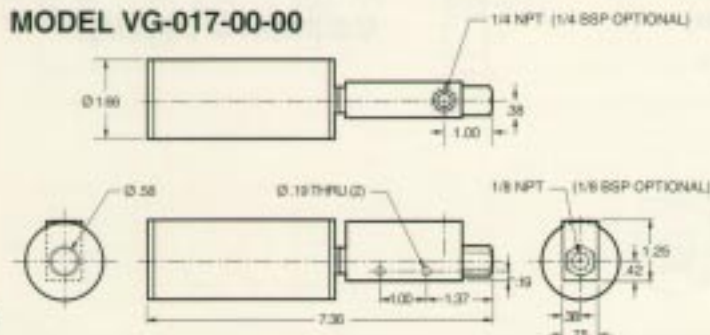
MODEL VG-007-00-00



MODEL VG-012-00-00



MODEL VG-017-00-00



PRODUCT FEATURES

- Low cost vacuum source
- Compact size/easy to mount
- No moving parts/zero maintenance
- Quiet operation
- Metric versions available—consult factory

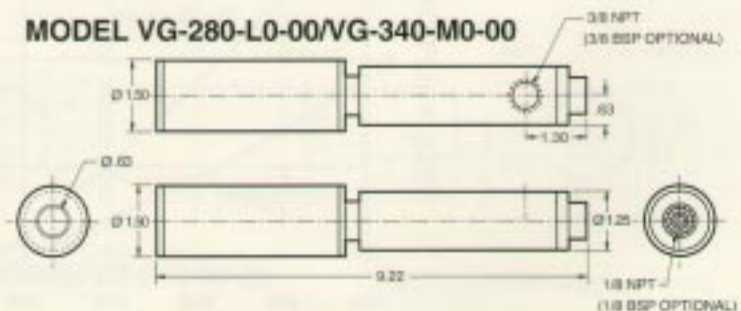
INCLUDES

- VG2016 sound attenuator (VG-007)
- B300Q sound attenuator (VG-012)
- VG2045 sound attenuator (VG-022)
- VG2140A sound attenuator (VG-280, VG-340)

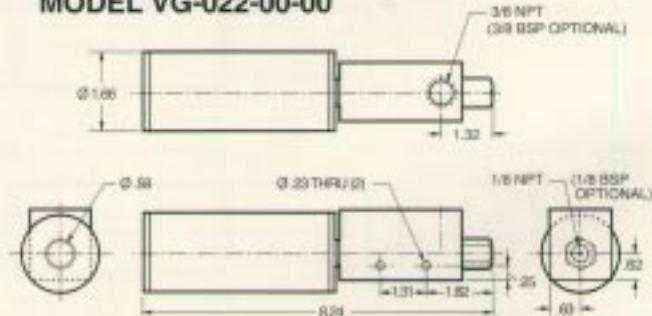
Important Notice:

Pictorial and dimensional data is subject to change without notice.

MODEL VG-280-L0-00/VG-340-M0-00



MODEL VG-022-00-00



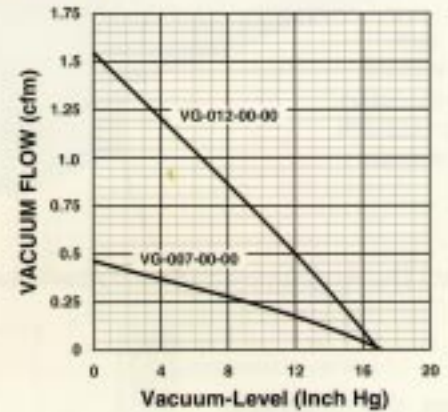
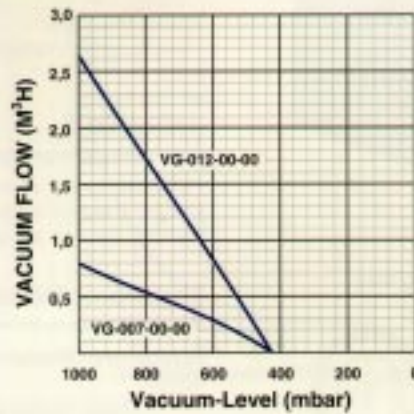
Product Specifications

Model Number*	Suggested Operating Pressure	Air Consumption @ Suggested Operating Pressure	Vacuum Port Size	Supply Air Port Size	Net Weight
VG-007-00-00	70 PSI	.49 CFM	1/8" NPT	1/8" NPT	3 ounces
VG-012-00-00	70 PSI	1.90 CFM	1/8" NPT	1/8" NPT	3 ounces
VG-017-00-00	70 PSI	4.06 CFM	1/4" NPT	1/8" NPT	6 ounces
VG-022-00-00	70 PSI	7.09 CFM	3/8" NPT	1/8" NPT	12 ounces
VG-280-L0-00	80 PSI	13.00 CFM	3/8" NPT	1/8" NPT	8 ounces
VG-340-M0-00	80 PSI	26.40 CFM	3/8" NPT	1/8" NPT	8 ounces

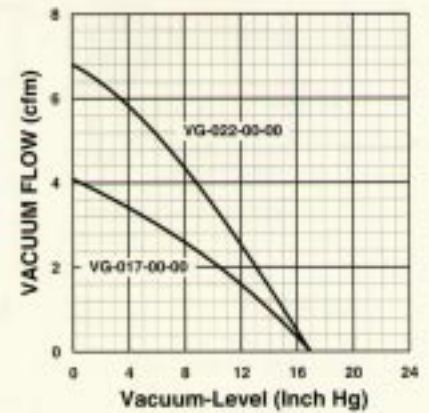
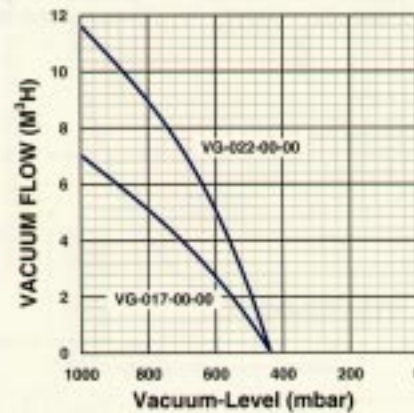
* Metric versions have identical performance specifications.

Product Performance (Metric U.S. Imperial)

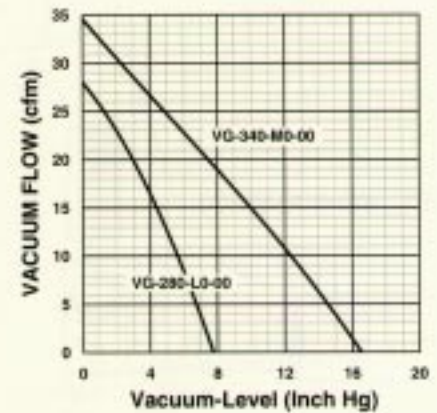
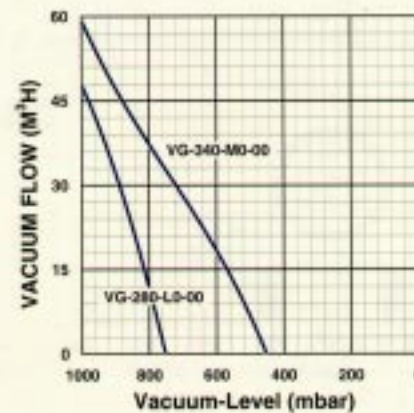
Models VG-007 VG-012



Models VG-017 VG-022



Models VG-280 VG-340





High Vacuum Series



NOTE: Unit shown without sound attenuator—metric versions do not include gauge

VG-065-00-00* (METRIC VERSION MG-065-00-00)
27" HG MAX. VAC., UP TO 6.8 CFM VACUUM FLOW

VG-130-00-00* (METRIC VERSION MG-130-00-00)
27" HG MAX. VAC., UP TO 12 CFM VACUUM FLOW

VG-260-00-00* (METRIC VERSION MG-260-00-00)
26" HG MAX. VAC., UP TO 17 CFM VACUUM FLOW

PRODUCT FEATURES

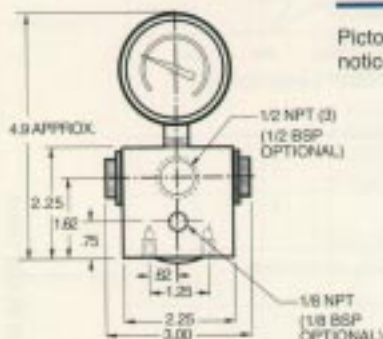
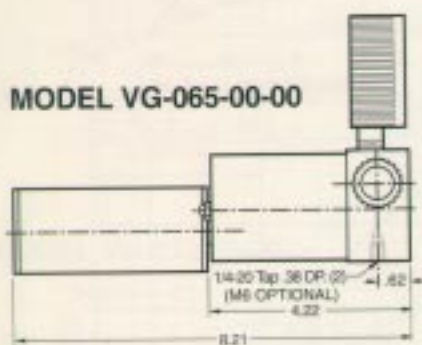
- Low air consumption
- Lightweight Delrin® plastic construction for chemical resistance
- Quiet operation
- Metric versions available—consult factory

INCLUDES

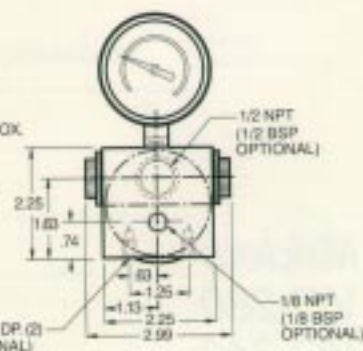
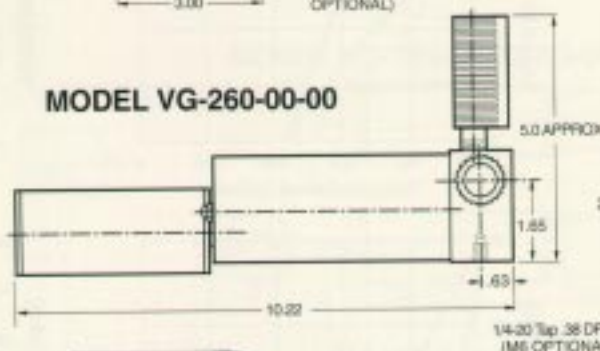
- VG2045 sound attenuator (VG-065)
- VG2055 sound attenuator (VG-130, VG-260)
- AA640 vacuum gauge

Product Dimensions—with Sound Attenuators (inches)

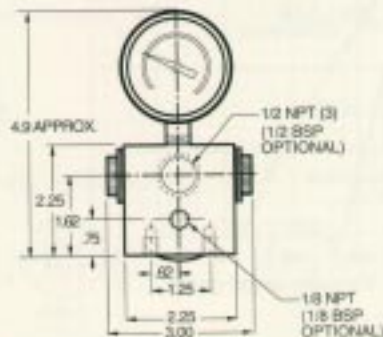
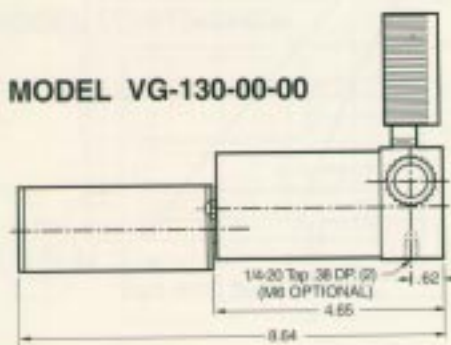
MODEL VG-065-00-00



MODEL VG-260-00-00



MODEL VG-130-00-00



Important Notice:

Pictorial and dimensional data is subject to change without notice.

* These models are also available with optional viton gaskets and valves. Contact your local distributor from the map found at the back of this catalog.

Product Specifications

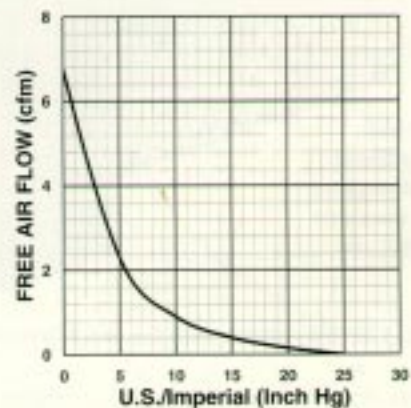
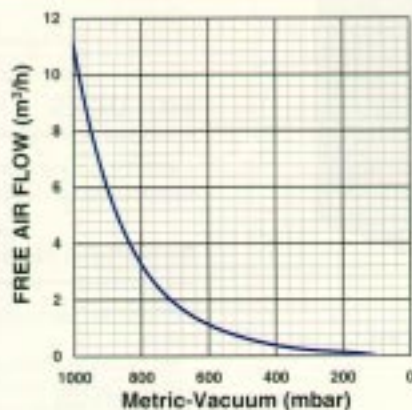
Model Number*	Suggested Operating Pressure	Air Consumption @ Suggested Operating Pressure	Vacuum Port Size	Supply Air Port Size	Net Weight
VG-065-00-00	68 PSI	2.7 CFM	1/2" NPT	1/8" NPT	1 lb. 3 oz.
VG-065-V0-00**	68 PSI	2.7 CFM	1/2" NPT	1/8" NPT	1 lb. 3 oz.
VG-130-00-00	68 PSI	4.9 CFM	1/2" NPT	1/8" NPT	1 lb. 4 oz.
VG-130-V0-00**	68 PSI	4.9 CFM	1/2" NPT	1/8" NPT	1 lb. 4 oz.
VG-260-00-00	68 PSI	7.0 CFM	1/2" NPT	1.8" NPT	1 lb. 6 oz.
VG-260-V0-00**	68 PSI	7.0 CFM	1/2" NPT	1/8" NPT	1 lb. 6 oz.

*Metric versions have identical performance specifications.

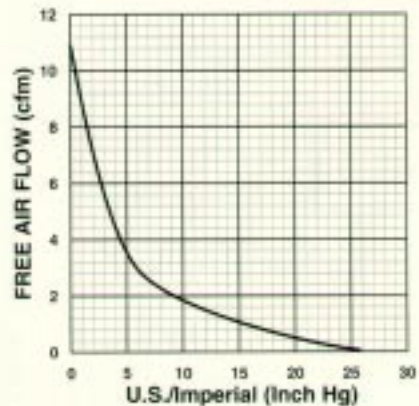
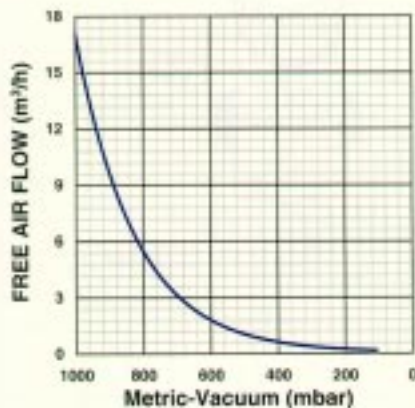
**These models are made to handle those tough applications where viton gaskets and valves provide extra protection in addition to the chemically resistant DELRIN® plastic construction.

Product Performance (Metric U.S. Imperial)

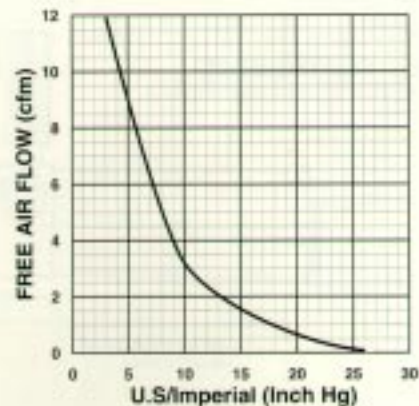
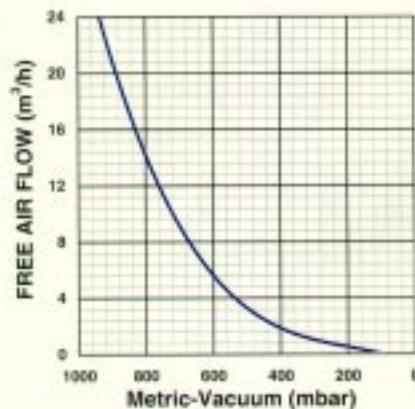
Model VG-065



Model VG-130



Model VG-260



High Flow Series



NOTE: Unit shown without sound attenuator—metric versions do not include gauge

VG-075-00-00 (METRIC VERSION MG-075-00-00)
20" HG MAX. VAC., UP TO 12 CFM VACUUM FLOW

VG-140-00-00* (METRIC VERSION MG-140-00-00)
20" HG MAX. VAC., UP TO 16 CFM VACUUM FLOW

PRODUCT FEATURES

- Low air consumption
- Lightweight Delrin® plastic construction for chemical resistance
- Quiet operation
- Metric versions available—consult factory

INCLUDES

- VG2055 sound attenuator
- AA640 vacuum gauge

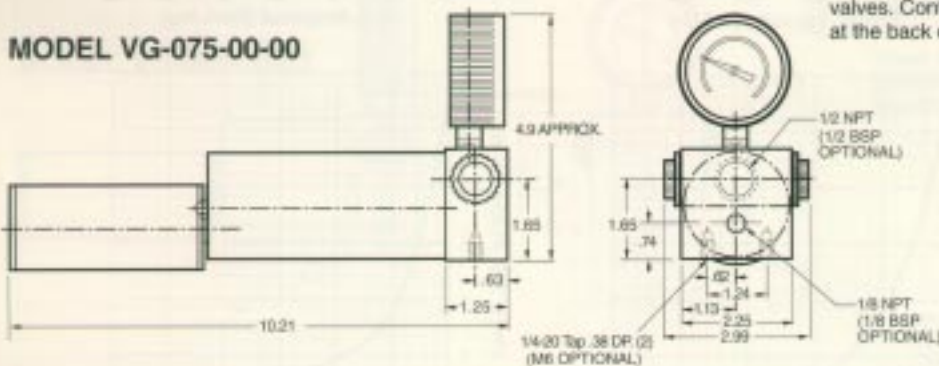
Important Notice:

Pictorial and dimensional data is subject to change without notice.

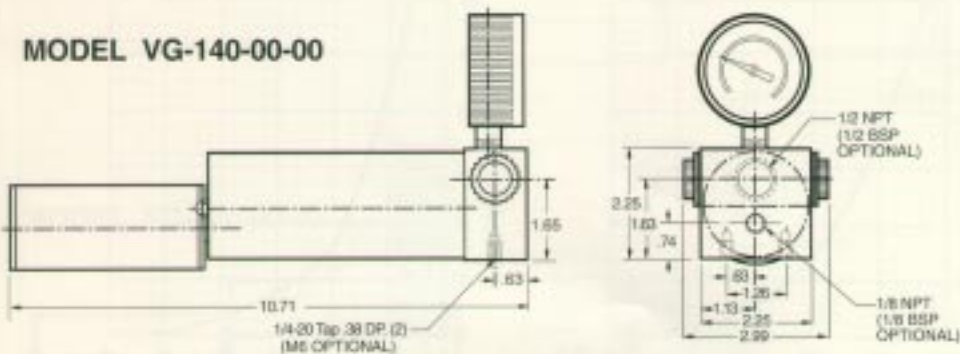
* This model is also available with optional viton gaskets and valves. Contact your local distributor from the map found at the back of this catalog.

Product Dimensions-with Sound Attenuators (inches)

MODEL VG-075-00-00



MODEL VG-140-00-00



Product Specifications

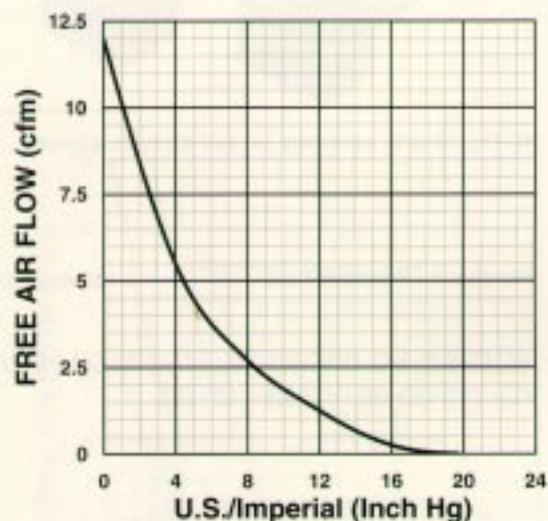
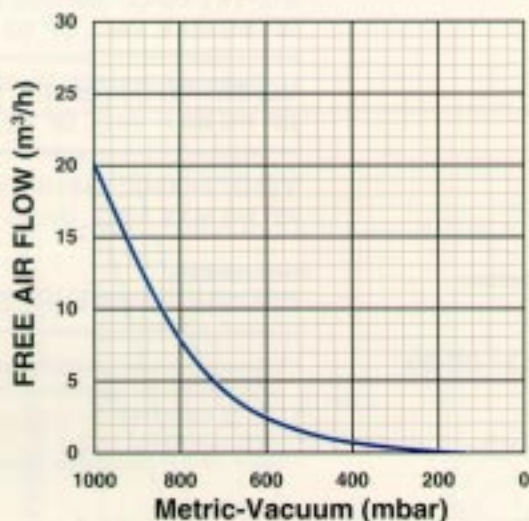
Model Number*	Suggested Operating Pressure	Air Consumption @ Suggested Operating Pressure	Vacuum Port Size	Supply Air Port Size	Net Weight
VG-075-00-00	87 PSI	3.4 CFM	1/2" NPT	1/8" NPT	1 lb. 4 oz.
VG-140-00-00	87 PSI	5.5 CFM	1/2" NPT	1/8" NPT	1 lb. 6 oz.
VG-140-V0-00**	87 PSI	5.5 CFM	1/2" NPT	1/8" NPT	1 lb. 6 oz.

*Metric versions have identical performance specifications.

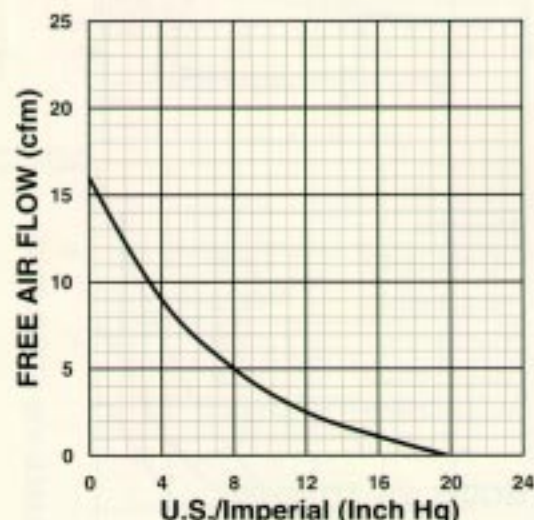
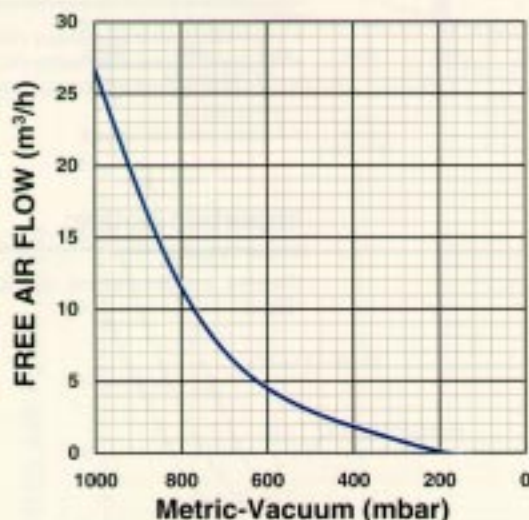
**These models are made to handle those tough applications where viton gaskets and valves provide extra protection in addition to the chemically resistant DELRIN® plastic construction.

Product Performance (Metric U.S. Imperial)

Model VG-075



Model VG-140





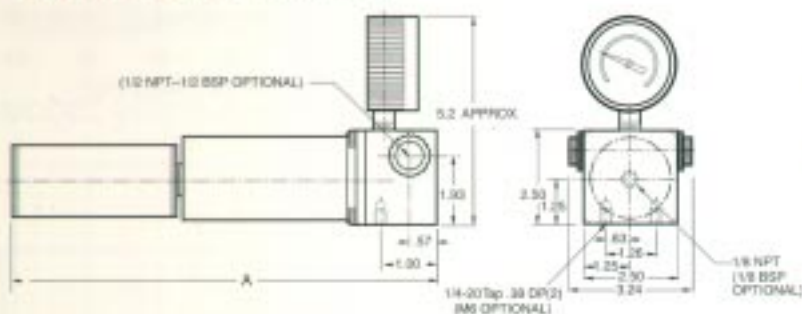
Severe Duty Series (for handling aggressive gases)



NOTE: Metric versions do not include gauges

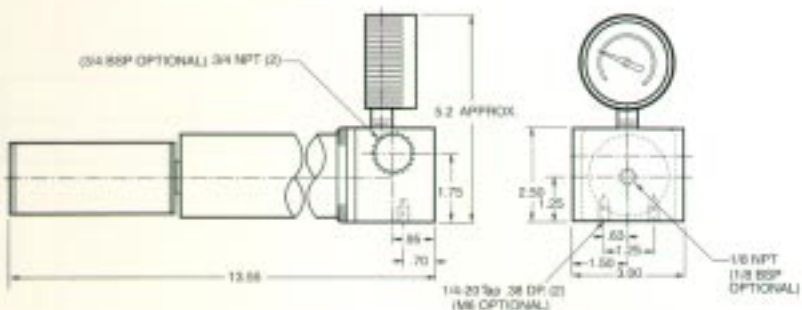
Product Dimensions-with Sound Attenuators (inches)

MODELS VG-066-00-00, VG-076-00-00, VG-131-00-00, VG-141-00-00, VG-261-00-00,



Model No.	A
VG-066-00-00	8.90
VG-076-00-00	10.50
VG-131-00-00	10.08
VG-141-00-00	11.02
VG-261-00-00	10.57

MODEL VG-271-00-00



VG-066-00-00 (METRIC VERSION MG-066-00-00)
26" HG MAX. VAC., UP TO 6.8 CFM OPEN FLOW

VG-076-00-00 (METRIC VERSION MG-076-00-00)
20" HG MAX. VAC., UP TO 12 CFM OPEN FLOW

VG-131-00-00 (METRIC VERSION MG-131-00-00)
26" HG MAX. VAC., UP TO 12 CFM OPEN FLOW

VG-141-00-00 (METRIC VERSION MG-141-00-00)
20" HG MAX. VAC., UP TO 16 CFM OPEN FLOW

VG-261-00-00 (METRIC VERSION MG-261-00-00)
26" HG MAX. VAC., UP TO 17 CFM OPEN FLOW

VG-271-00-00 (METRIC VERSION MG-271-00-00)
20" HG MAX. VAC., UP TO 26 CFM OPEN FLOW

PRODUCT FEATURES

- Chemical resistant anodized aluminum with viton seals and valves to handle aggressive gases
- Low air consumption
- Quiet operation
- Metric versions available—consult factory

INCLUDES

- VG-2140 Sound attenuator (VG-271)
- VG-2045 Sound attenuator (VG-066)
- VG-2055 Sound attenuator (all other severe duty generators)
- AA640 vacuum gauge

Important Notice:

Pictorial and dimensional data is subject to change without notice.

Product Specifications

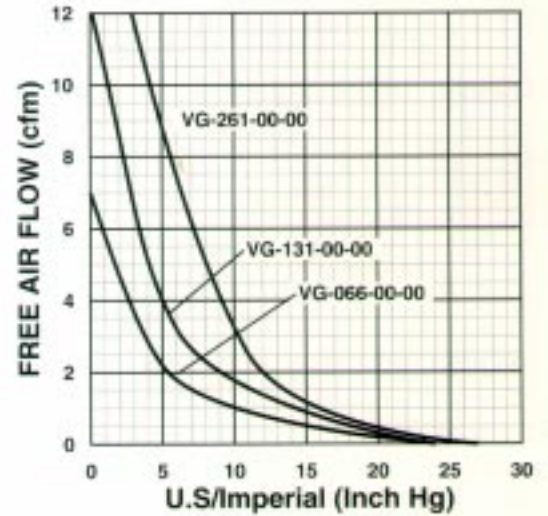
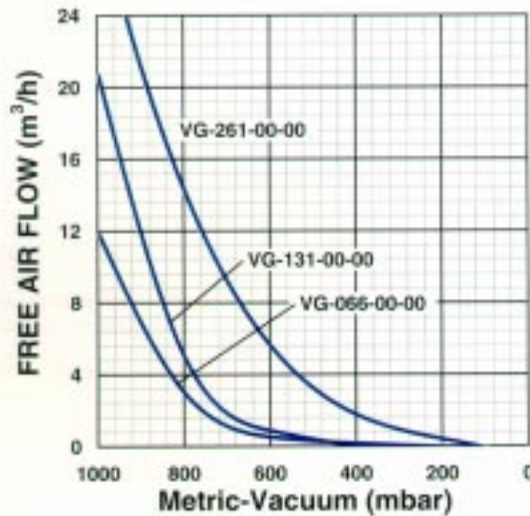
Model Number*	Suggested Operating Pressure	Air Consumption @ Suggested Operating Pressure	Vacuum Port Size	Supply Air Port Size	Net Weight
VG-066-00-00	68 PSI	2.7 CFM	1/2" NPT	1/8" NPT	1lb. 8 oz.
VG-076-00-00	87 PSI	3.4 CFM	1/2" NPT	1/8" NPT	1lb. 8 oz.
VG-131-00-00	68 PSI	4.9 CFM	1/2" NPT	1/8" NPT	1lb. 10 oz.
VG-141-00-00	87 PSI	5.5 CFM	1/2" NPT	1/8" NPT	1lb. 10 oz.
VG-261-00-00	68 PSI	7.0 CFM	1/2" NPT	1/8" NPT	1lb. 12 oz.
VG-271-00-00	87 PSI	13.4 CFM	1/2" NPT	1/8" NPT	1lb. 12 oz.

* Metric versions have identical performance specifications.

Product Performance (Metric U.S. Imperial)

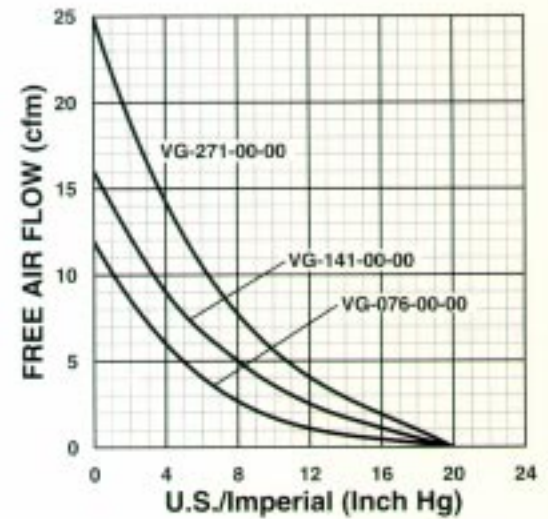
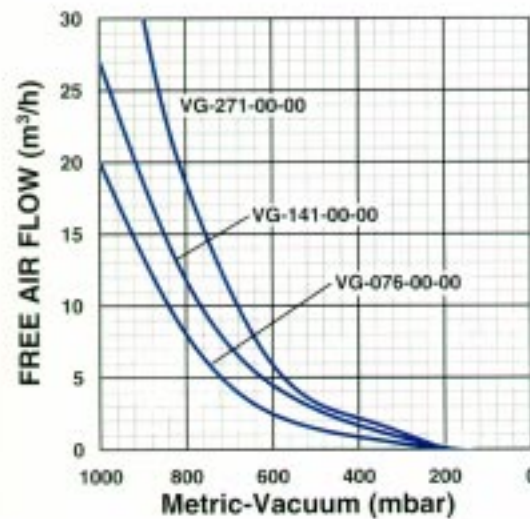
Models VG-066 VG-131 VG-261

(high vacuum)



Models VG-076 VG-141 VG-271

(high flow)





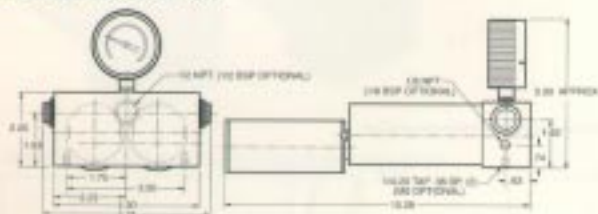
High Performance Series

NOTE: Only VG-260-02-00, VG-261-02-00 come with gauges

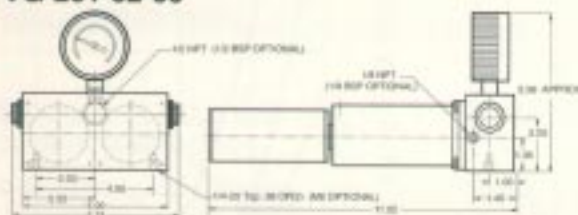


Product Dimensions—with Sound Attenuators (inches)

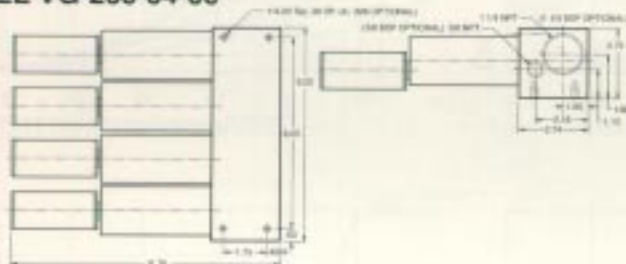
MODEL VG-260-02-00



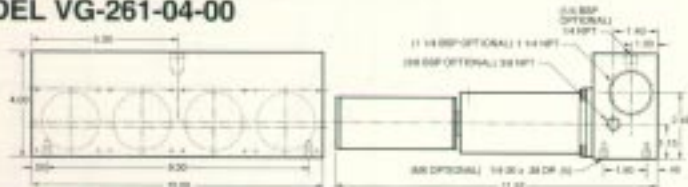
MODEL VG-261-02-00



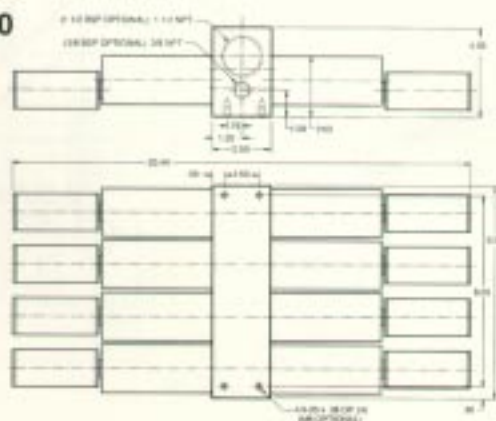
MODEL VG-260-04-00



MODEL VG-261-04-00



MODEL VG-260-08-00



VG-260-02-00 (METRIC VERSION MG-260-02-00)
26" HG MAX. VAC., UP TO 36 CFM VACUUM FLOW

VG-260-04-00 (METRIC VERSION MG-260-04-00)
26" HG MAX. VAC., UP TO 71 CFM VACUUM FLOW

VG-260-08-00 (METRIC VERSION MG-260-08-00)
26" HG MAX. VAC., UP TO 158 CFM VACUUM FLOW

VG-261-02-00/MG-261-02-00 (SEVERE-DUTY MODELS)
26" MAX. VAC., UP TO 36 CFM VACUUM FLOW

VG-261-04-00/MG-261-04-00 (SEVERE-DUTY MODELS)
26" MAX. VAC., UP TO 71 CFM VACUUM FLOW

VG-261-08-00/MG-261-08-00 (SEVERE-DUTY MODELS)
26" MAX. VAC., UP TO 158 CFM VACUUM FLOW

PRODUCT FEATURES

- Low cost compared to competitive generators with similar performance
- Quiet operation
- 260 Series constructed of chemical resistant Delrin® plastic stages
- 261 Series constructed of chemical resistant anodized aluminum stages with viton seals and valves to handle aggressive gases
- Metric versions available—consult factory

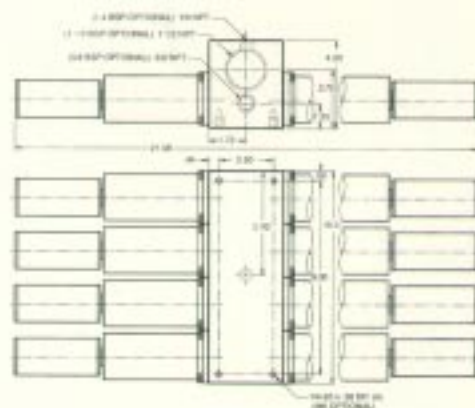
INCLUDES

- VG-2055 Sound attenuators (on models VG-260-02-00 and VG-261-02-00)

Important Notice:

Pictorial and dimensional data is subject to change without notice.

MODEL VG-261-08-00



Product Specifications

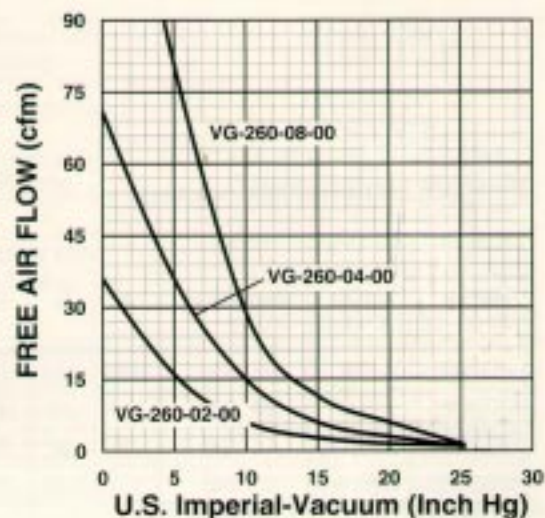
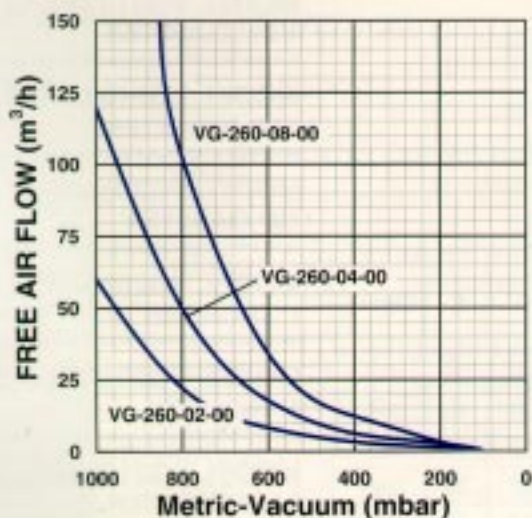
Model Number*	Suggested Operating Pressure	Air Consumption @ Suggested Operating Pressure	Vacuum Port Size	Supply Air Port Size	Net Weight
VG-260-02-00	68 PSI	14 CFM	1/2" NPT	1/8" NPT	3 lbs.
VG-260-04-00	68 PSI	28 CFM	1 1/4" NPT	3/8" NPT	11 lbs.
VG-260-08-00	68 PSI	56 CFM	1 1/2" NPT	3/8" NPT	16 lbs. 8 oz.
VG-261-02-00	68 PSI	14 CFM	1/2" NPT	1/8" NPT	3 lbs. 10 oz.
VG-261-04-00	68 PSI	28 CFM	1 1/4" NPT	3/8" NPT	12 lbs. 8 oz.
VG-261-08-00	68 PSI	56 CFM	1 1/2" NPT	3/8" NPT	14 lbs.

* Metric versions have identical performance specifications.

Product Performance (Metric U.S. Imperial)

Models VG-260

combinations



Models VG-261

combinations

