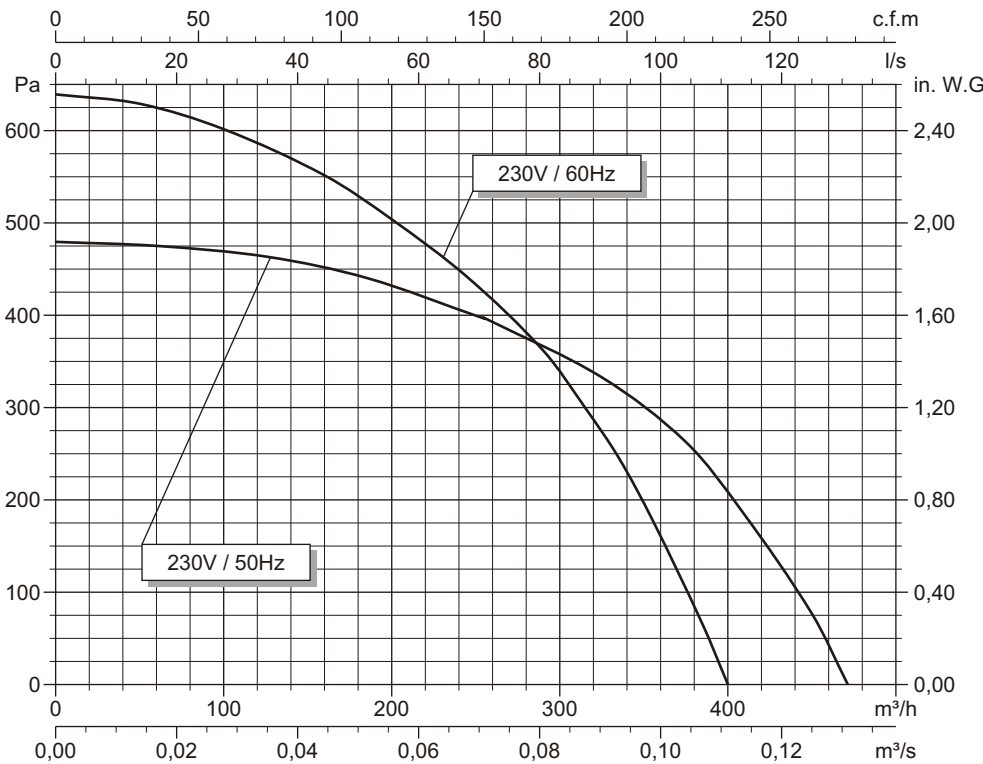
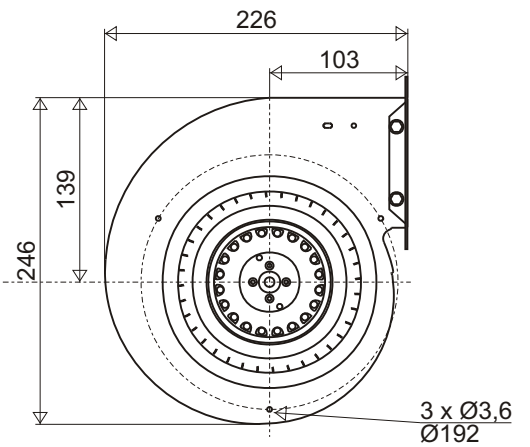
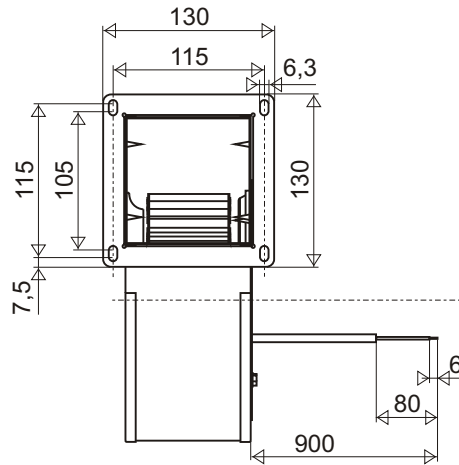


For professional use only. Please refer to the conditions of use of our catalogue.

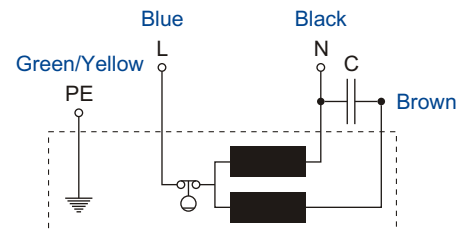
March 2002

## 2GRE35 160x62R code N05-56

| Voltage | Frequency | Input power | Current | Capacitor | Air flow          | Rotational speed | Sound level | Direction of rotation | Max. Air temp. |
|---------|-----------|-------------|---------|-----------|-------------------|------------------|-------------|-----------------------|----------------|
| V       | Hz        | Wa          | A       | µF        | m <sup>3</sup> /h | rpm              | dBA         | ↻                     | °C             |
| 230     | 50        | 159         | 0,70    | 4         | 475               | 1660             | 58          | R                     | -20 / +50      |
| 230     | 60        | 162         | 0,73    | 3,5       | 400               | 1460             | 56          | R                     | -20 / +50      |



- Ball bearings.
- Cl.F windings protected by thermal cut-out.
- Protection IP 44.
- Balancing G2.5.
- Galvanised steel impeller.
- Steel painted black scroll.



| Capacitor for 50Hz | Capacitor for 60Hz | Finguer guard | Inlet cone |
|--------------------|--------------------|---------------|------------|
| 19019-0            | 19049-0            | 21325-0       | 16154-0    |