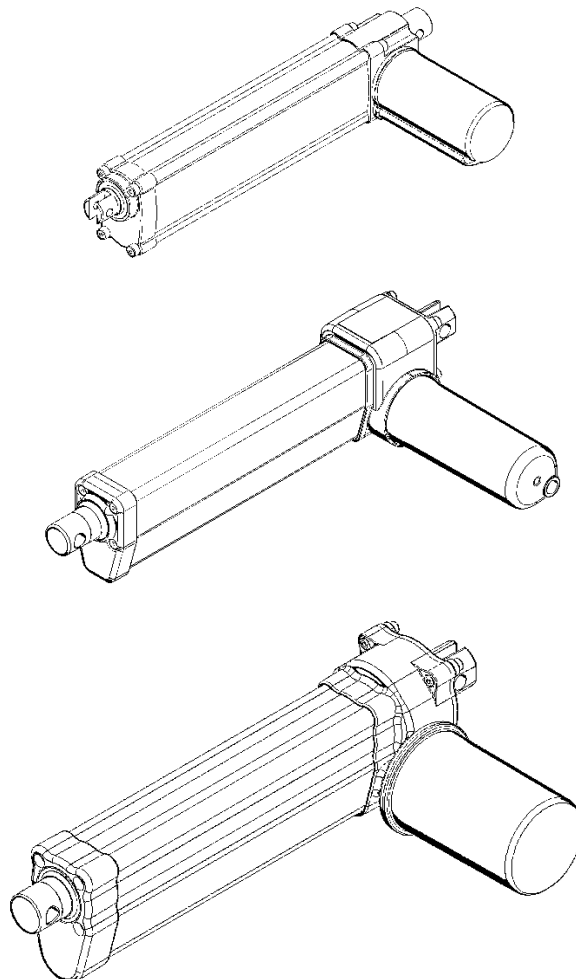




## LINEAR ACTUATORS

### LMR 01 – LMR 02 – LMR 03

Installation, operation and maintenance manual



Publication: 31.01-02-03.E - Rev. 00 Date (M/Y) 12/19

Servomech S.p.A.

Via M. Calari, 1 - 40011 Anzola dell'Emilia (BO) - ITALY

Ph: + 39 051 6501711 Fax: + 39 051 734574

[www.linearmech.com](http://www.linearmech.com) [sales@linearmech.com](mailto:sales@linearmech.com)



Read this manual before installing, operating or maintaining this actuator. Failure to follow safety precautions and instructions could cause actuator failure and result in serious injury, death or property damage.

This manual provides important information on how to work with the actuator safely and efficiently. The manual is part of the device, must always be kept in the device's direct proximity and should be available for personnel to read at any time. Failure to comply with the installation, use and maintenance instructions indicated in this manual will result in immediate termination of the warranty conditions of the actuator and completely relieve Servomech S.p.A. from any liability for damage caused to persons and / or property.

Servomech S.p.A. it does not assume direct or indirect responsibility for an improper use of the actuator, not respecting the performances of the actuator declared in the catalogs.

The manufacturer will not be liable for damage to the actuator or the equipment into which the actuator has been installed resulting from:

- disregarding this manual
- unintended use
- employment of untrained personnel
- unauthorized conversions
- technical modifications
- manipulation or removal of the screws on the device
- use of unapproved spare parts

The aforementioned conditions are therefore not contemplated and entail the immediate termination of the guarantee and the immediate decay of any responsibility on the part of Servomech S.p.A.

Servomech S.p.A. reserves the right to make changes to the actuators and this manual without giving any notice.

# LINEAR ACTUATORS LMR 01 - 02 - 03

## Installation, operation and maintenance manual

### Contents

1	MODELS COVERED BY THIS DOCUMENT.....	4
2	IDENTIFICATION OF THE MANUFACTURER AND THE PRODUCT.....	4
2.1	Identification of the manufacturer.....	4
2.2	Description of the product.....	4
2.3	Identification of the product.....	5
2.4	Identification label position.....	5
3	TRASPORT AND HANDLING.....	6
4	USE RESTRICTION.....	6
4.1	Intended use.....	6
4.1.1	Use restrictions.....	7
4.1.2	Standard operating conditions.....	7
4.1.3	Thermal limit.....	7
4.2	Personnel requirements / Qualifications.....	8
5	STORAGE.....	8
6	INSTALLATION.....	8
6.1	Safety warnings.....	8
6.2	Stroke end limit switches FC2.....	10
6.3	Stroke end limit switches FC2X.....	11
6.4	Encoder GI21 – GI24.....	12
6.5	Electric DC motor wiring.....	13
6.6	Linear actuator installation.....	14
6.7	Installation of rod end fitting elements.....	15
7	COMMISSIONING AND USE.....	16
8	LUBRICATION.....	17
9	MAINTENANCE.....	17
10	WIRING SCHEMES.....	18

# 1 MODELS COVERED BY THIS DOCUMENT

The present manual is referred to following products:

Acme screw linear actuators: LMR 01 – LMR 02 – LMR 03

## 2 IDENTIFICATION OF THE MANUFACTURER AND THE PRODUCT

### 2.1 Identification of the manufacturer

**SERVOMECH S.p.A. S.U.**

Via Monaldo Calari, 1

40011 Anzola dell'Emilia (BO)

ITALY

Ph. +39 051 6501 711

Fax. +39 051 7345 74

Website: [www.linearmech.com](http://www.linearmech.com)

e-mail: [sales@linearmech.com](mailto:sales@linearmech.com)

### 2.2 Description of the product

For all the technical characteristics of the product (performance, features, dimensions) refer to the technical catalog.

Main actuator components:

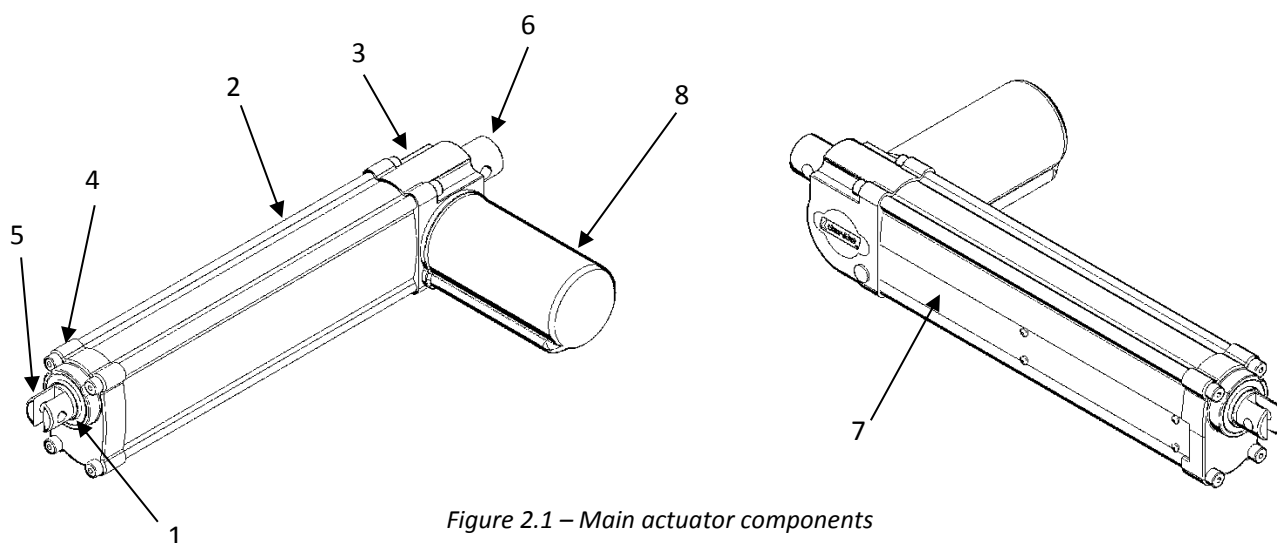


Figure 2.1 – Main actuator components

- 1) Push rod
- 2) External profile
- 3) Gearbox housing
- 4) Front housing
- 5) Rod end
- 6) Rear hinge
- 7) Stroke end limit switches cover
- 8) DC electric motor

## 2.3 Identification of the product

Every LINEARMECH linear actuator is provided with a product label, as shown below, which allows the product identification and gives technical information about the product.



	
<b>Servomech S.p.A. Bologna - ITALY</b>	
Code:	<input type="text"/>
Descr:	<input type="text"/>
B/N:	<input type="text"/> (wk/year): <input type="text"/>

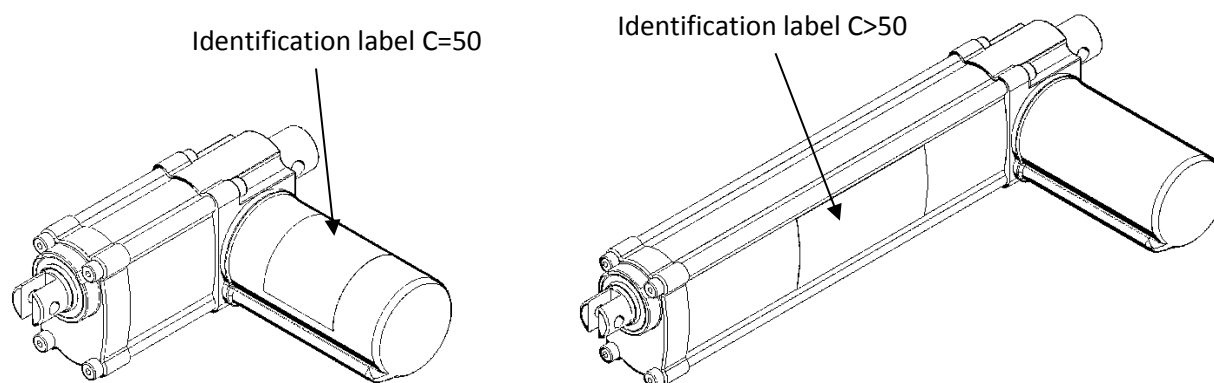
Figure 2.2 –Product identification label

On the actuator label following data are printed:

- CODE: article code;
- DESCR: product description (the mining of symbols and their sequence are indicated on the catalogue);
- B/N: production batch number (gives the full traceability of products);
- WK/YEAR: week and year of manufacturing of the product.

## 2.4 Identification label position

Following pictures show label positioning on actuator.



### 3 TRASPORT AND HANDLING

- △ It is recommended to pay attention and care during the handling and transport of linear actuators not to damage mechanical parts and / or accessories and to prevent risks for the personnel in charge of this activity.
- The packaging must be lifted and moved with care and in a safe way.
- For lifting and transporting the linear actuator, the push rod must be in retracted position.
- Lift the actuator from the housing and outer tube, supporting the motor during transport.
- DO NOT lift the actuator only from the push rod and / or the motor.

In case of doubt, consult SERVOMECH S.p.A. to get the appropriate information and prevent any kind of damage!

### 4 USE RESTRICTION

The information contained in this chapter provides important prescriptions for operating safely during all phases of the product's life.

Not knowing or not complying with these provisions can generate dangerous situations that could cause damage to equipment and risks for the safety of persons.

#### 4.1 *Intended use*

Actuators are used to perform very different functions within machines. It is the responsibility of the machine builder to design the application in compliance with the laws in force in the specific sector and in the field of safety, in compliance with the requirements provided in the product catalog and in this manual.

- △ ACTUATORS ARE ELECTRIC AXIS, WHATEVER DRIVER OR CONTROL WILL BE USED: THE SELECTION OF THE PRODUCT AS STROKE, SPEED, TYPE OF LIMIT SWITCHES, MOTOR AND BRAKE, MUST BE DONE ACCORDING TO THE BEHAVIOR EXPECTED, IN FUNCTION OF THE TYPE OF CONTROL CHOSEN AND THE STATIC AND DYNAMIC BEHAVIOR OF THE SYSTEM IN WHICH THE ACTUATOR IS PLACED!

The actuators have been designed and built to operate mobile parts of various types, shapes and construction, in the ways and within the limits set out in the descriptions and tables of the technical data in the catalog and in this user manual.

The actuators are designed to work with a purely axial applied load.

They must be subjected to the loading and speed conditions specified in the catalog.

Modification of parts of the actuator or replacement of components with different and non-original parts is not permitted. The replacement of components with original spare parts is carried out only by Servomech S.p.A.

Any different use is to be considered improper and therefore potentially dangerous for the safety of the operators, as well as such as to void the contractual guarantee.

In the event of particular processing requirements, we recommend consulting our sales department.

Every modification must be authorized by Servomech S.p.A. with written documents.

- △ ANY OTHER USE OUTSIDE THAT THAT JUST DESCRIBED IS NOT PERMITTED BY SERVOMECH S.p.A.

### 4.1.1 Use restrictions

Actuators can not be used for unforeseen applications.

Any utilization of this device beyond its intended purpose may lead to potentially hazardous situations.

Therefore:

- Strictly adhere to all safety precautions and instructions in this operating manual.
- Do not allow this device to be subjected to weather conditions, strong UV rays, corrosive or explosive air media as well as other aggressive media (\*).
- Do not modify, retool or change the structural design or individual components of the actuator.
- Never use the device outside of the technical application and operational limits.

(\*) – THE USE OF THE ACTUATOR IN ABOVE CONDITIONS MUST BE PREVIOUSLY DECLARED AND AGREED WITH SERVOMECH, SINCE A SPECIAL EQUIPMENT OF THE PRODUCT MUST BE PROVIDED.

### 4.1.2 Standard operating conditions

The actuator must be used in an environment whose conditions comply with the provisions of Servomech S.p.A. The works necessary for obtaining and maintaining that conditions are in charge of the owner and, where applicable, are in charge of the end user.

The actuator must be installed and used indoor only, in dry area with environmental conditions as specified below:

- Temperature range +0°C ÷ +40°C
- Relative atmospheric humidity 5% ÷ 85%
- No build up of condensation

Linear actuator must be installed and used in a room with a constant illumination of 500lux at least, complying the norm UNI EN 1837:2009, or complying specific norms related to specific application fields.

⚠ THE USE OF THE ACTUATOR IN DIFFERENT CONDITIONS THAN JUST DESCRIBED MUST BE PREVIOUSLY DECLARED AND AGREED WITH SERVOMECH, SINCE A SPECIAL EQUIPMENT OF THE PRODUCT MUST BE PROVIDED.

### 4.1.3 Thermal limit

The actuator duty cycle permissible  $F_u$  [%] is the maximum working time expressed in percentage that the actuator can perform during the reference time period of 10 minutes, under rated load stated in the catalogue at ambient temperature 25°C, without risk of internal parts overheating.

$$F_u[\%] = \frac{\text{Max working time over 10 min}}{10 \text{ min}} \times 100$$

Actuator	$F_u$ [%]
LMR 01	15
LMR 02	15
LMR 03	15

⚠ For the proper operation do never exceed the permissible duty cycle limit.

## 4.2 Personnel requirements / Qualifications

This manual must be made available to the personnel in charge of installation, start up and use of the actuator. It is the responsibility of the machine builder:

- use personnel with the necessary qualifications for the installation and commissioning of the actuator;
- periodically check the qualification of the assigned personnel;
- check that the personnel in charge are aware of the contents of this manual.

## 5 STORAGE

- Do not store outside.
- Storage should be dry and dust-free.
- Keep away from any aggressive media.
- Protect from UV radiation.
- Avoid mechanical vibrations.
- Storage temperature: 0 to +50 °C.
- Relative atmospheric humidity: max. 95% (no build up of condensation).

## 6 INSTALLATION

The operations described in the paragraphs of this chapter provide both electrical and mechanical connections of the actuator, as well as the execution of test motions at reduced speed and motor torque or with small displacement steps.

### 6.1 Safety warnings

- ⚠ **MOTORS CANNOT BE CONNECTED DIRECTLY TO THE ELECTRICITY GRID. A PROPER CIRCUITS AND DEVICES FOR MOVEMENT MANAGEMENT ON BOTH DIRECTIONS IS REQUIRED. STROKE END LIMIT SWITCHES (MICROSWITCHES OR SENSORS) MUST BE CONTROLLED TO BE SURE THE LINEAR MOVEMENT OF THE ACTUATOR (DUE TO THE OPERATION OF THE MOTOR OR TO THE INERTIA OF THE MOVING PARTS) STOPS BEFORE TO REACH THE MECHANICAL STROKE END LIMITS. IN CASE THIS HAPPENS, THE ACTUATOR CAN BE LOCKED AND THE INTERNAL COMPONENTS CAN BE DAMAGED.**
- ⚠ **WHEN THE MOTORS MUST BE POWERED BY A CONVERTER (ELECTRIC DRIVE), THIS MUST BE CHOSEN BY QUALIFIED PERSONNEL.**
- ⚠ **IN CASE THERE ARE INVOLVED ELECTRONIC DRIVE AND CONTROL DEVICES ON THE ACTUATOR MOVING CONTROL, REFER TO MANUALS FOR ALL THE NECESSARY INFORMATION AND CORRECT INSTALLATION AND MAINTENANCE OF THE PRODUCT.**
- ⚠ **BEFORE TO PROCEED TO THE ELECTRIC CONNECTION, MAKE SURE THE SUPPLY VOLTAGE IS TURNED OFF.**
- ⚠ **BEFORE TO TURN-ON THE MOTOR, MAKE SURE THE ELECTRIC CONNECTIONS ARE TIGHTENED AND STABLE.**
- ⚠ **CHECK POWER SUPPLY CABLES NOT TO BE DAMAGED DURING THE COMMISSIONING. POWER SUPPLY CABLES MUST BE OUT OF HEAT SOURCES AND MOVING ORGANS.**
- ⚠ **DURING FUNCTIONING ARE PRODUCED MAGNETIC, ELECTRIC AND ELECTROMAGNETIC FIELDS. THIS MAY BE DANGEROUS FOR PEOPLE THAT USE CARDIAC STIMULATOR (PACEMAKER), IF NOT SUFFICIENT DISTANCE.**
- ⚠ **DO NOT DISCONNECT ANY CONNECTION DURING OPERATION OR IN PRESENCE OF SUPPLY VOLTAGE.**
- ⚠ **BEFORE TO TURN-ON THE MOTOR, MAKE SURE THE MECHANICAL CONNECTIONS OF THE ACTUATOR REMAIN TIGHTENED AND STABLE, ALSO DURING THE OPERATION.**



- ⚠ DURING THE COMMISSIONING, UNEXPECTED MOVEMENT OF THE MOTOR MAY BE CAUSED BY:
- WIRING ERRORS
  - MOUNTING ERRORS
  - DAMAGES ON POWER SUPPLY CABLES
  - HARDWARE OR SOFTWARE ERRORS
  - DRIVER PARAMETERS ERRORS
  - OPERATION IN CONDITIONS OUTSIDE THE SPECIFICATIONS PROVIDED BY THE CATALOG AND THIS MANUAL
- ⚠ MAKE SURE THE SAFETY PROTECTION OF THE MACHINE (MECHANICAL AND ELECTRICAL) ARE ACTIVE.
- ⚠ DURING OPERATION, TEMPERATURE OF THE EXTERNAL SURFACE OF MOTORS CAN REACH HIGH TEMPERATURES. HOT SURFACES ON ACTUATOR CAN CAUSE BURNS AND SHOULD NOT BE TOUCHED.
- ⚠ DO NOT FASTEN OR PLACE NEAR THE MOTOR THERMO SENSITIVE COMPONENTS: DAMAGES MAY OCCUR.

## 6.2 Stroke end limit switches FC2

Each of the two micro-switches is fitted in a slot with a cam for switches commutation. A screw allows to lock the assembly in the desired position, adjusting in this way the switching position. The nut with suitable shape makes the cams rotate, so to activate the switches. This cam-operated device provides a stable and self-keeping commutation of the switches.

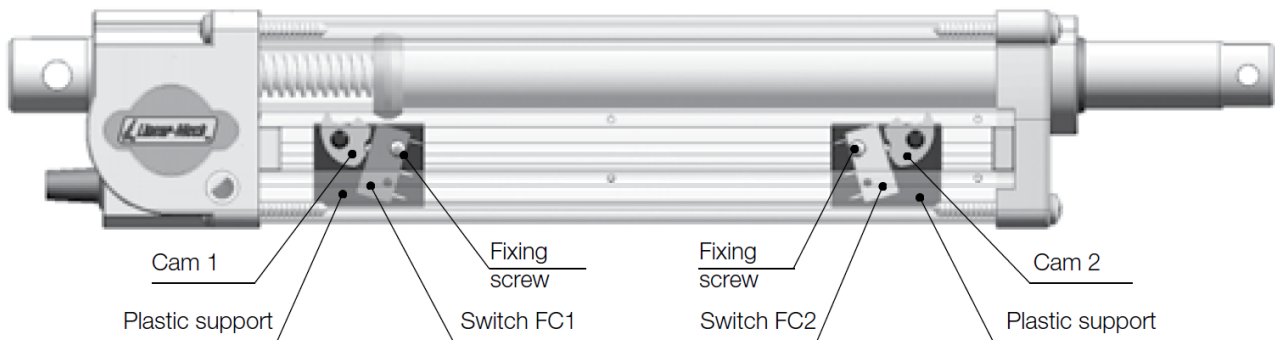


Figure 6.1 – Stroke end limit switches FC2

- RETRACTED ACTUATOR (Lc) position is adjusted and controlled by **FC 1** switch.
- EXTENDED ACTUATOR (La) position is adjusted and controlled by **FC 2** switch.

Following pictures show the switching sequence of the switch.

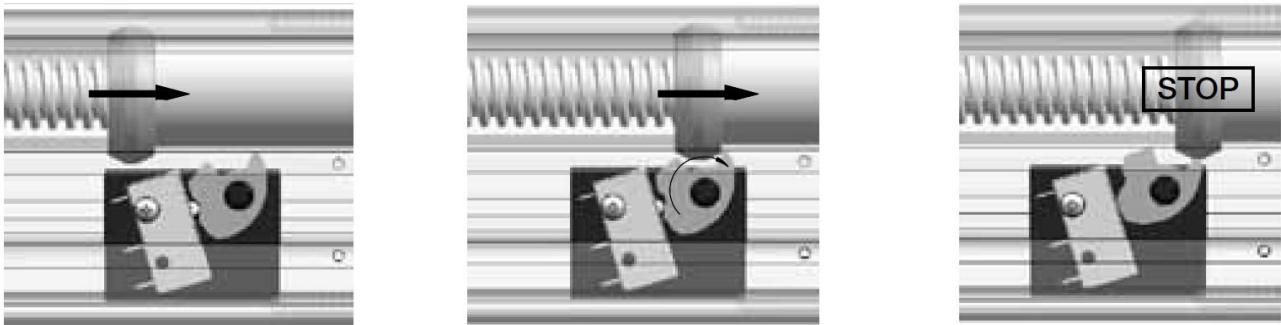


Figure 6.2 – FC2 functioning

To setup the stop positions:

- Loosen the screws (1) of the limit switches cover.
- Remove the cover (2): pull out side A first (push rod side), then side B (gearbox side).
- Loosen the switch fixing screw (see Fig. 6.1).
- Move the plastic support on the required position.
- Screw fasten the fixing screw again and close the cover.

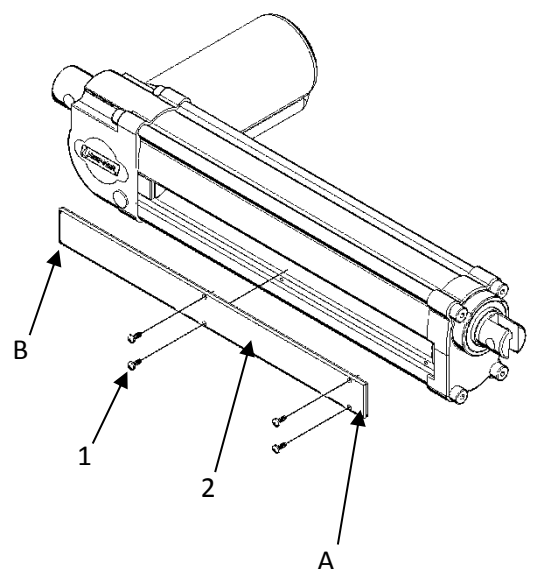
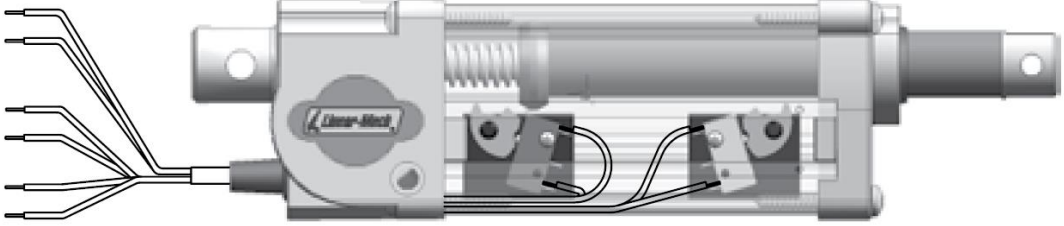


Figure 6.3 – FC2 limit switches setup

Limit switches FC2 – TECHNICAL FEATURES		
Contact	Standard: NC On request: NO, CS	
Supply voltage	250 V AC	30 V DC
Max current (resistive load)	12 A	5 A
Max current (inductive load)	6 A	3 A
Output	Multicore PVC cable - length 0.3 m	
MOTOR RED (0.75 mm <sup>2</sup> ) BLACK (0.75 mm <sup>2</sup> ) FC 1 RED (0.22 mm <sup>2</sup> ) WHITE (0.22 mm <sup>2</sup> ) FC 2 YELLOW (0.22 mm <sup>2</sup> ) GREEN (0.22 mm <sup>2</sup> )		

- ⚠ For FC2 limit switches wiring instructions: see Section 10.
- ⚠ DO NOT TRAVEL OVER THE STROKE LIMIT SWITCHES POSITIONS, AVOIDING TO REACH MECHANICAL STOP AND PREVENTING DAMAGE TO THE INTERNAL COMPONENTS OF THE ACTUATOR.

### 6.3 Stroke end limit switches FC2X

Technical features, setup instructions and functioning of FC2X limit switches is the same as FC2 switches (see Section 6.2).

The two electric cam-operated switches are internally wired between power supply and electric motor, in order to switch off the power supply directly, without relays.

- ⚠ With FC2X limit switches wiring it is NOT possible to read signal coming from the switches. For this reason it is recommended to provide a timing control on motor power supply and/or a current limit on the power supply circuit.

Wiring of limit switches and electric motor is shown on following schemes:

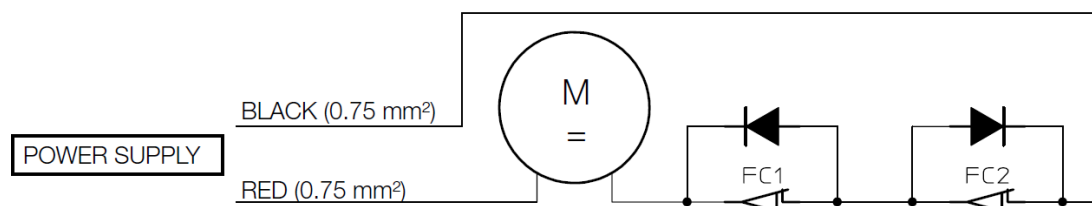


Figure 6.4 – Stroke end limit switches FC2X

- ⚠ For wiring instructions: see Section 10.

## 6.4 Encoder GI21 - GI24

Encoder GI21-GI24 – CARATTERISTICHE TECNICHE	
Transducer type	Sonda ad effetto Hall, incrementale, bidirezionale
Resolution	1 imp/giro (GI21) - 4 imp/giro (GI24)
Output	PUSH-PULL 2 canali (A/B)
Supply voltage	5 ÷ 24 V DC
Max commutable current	50 mA
Cable length	0.3 m
Electrical protection	Polarity inversion Supply voltage peaks

Wiring scheme:

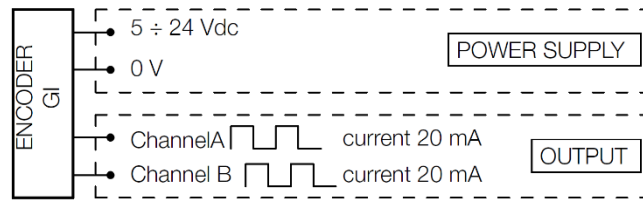


Figure 6.5 – Encoder GI21/GI24

Following table shows n° of pulses for 100 mm of stroke, for each actuator size and ratio:

N° of pulses for 100 mm of stroke		Encoder resolution	
		1 ppr (GI21)	4 ppr (GI24)
LMR01	RL1	967	3867
	RL2	483	1933
	RN1	383	1533
	RN2	192	767
LMR02	RL1	1550	6200
	RL2	775	3100
	RN1	492	1968
	RN2	246	984
LMR03	RL1	1725	6900
	RL2	862	3450
	RN1	650	2600
	RN2	325	1300

⚠ For GI21 - GI24 encoder wiring instructions: see Section 10.

## 6.5 Electric DC motor wiring

Connect the motor to the power unit of the plant or to the driver according to the following wiring diagrams:

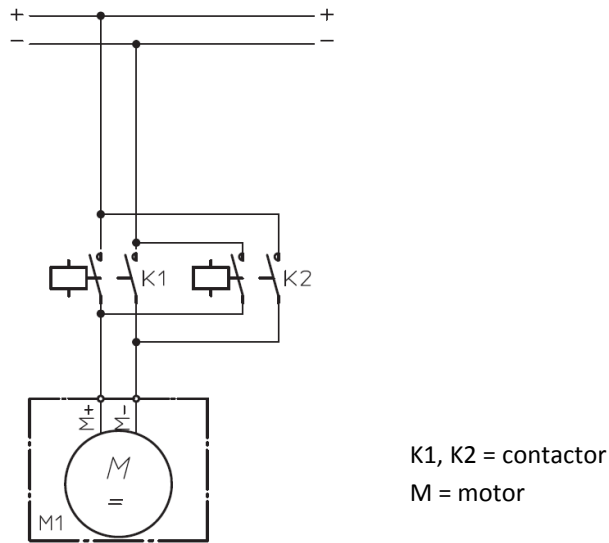


Figure 6.6 – Electric wiring diagrams to power supply of DC motor

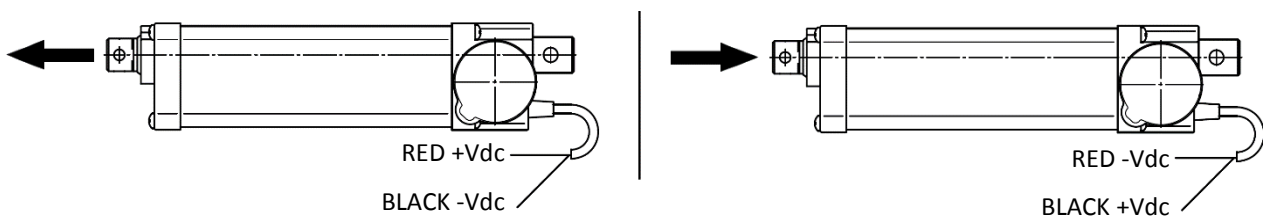


Figure 6.7 – DC motor wiring

Check if the push rod shifting direction is compatible to the indications on the control unit, by powering the electric motor on VERY BRIEFLY.

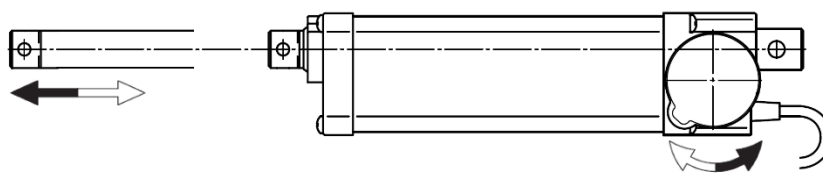


Figure 6.8 – Push rod shifting directions

- ⚠ If the push rod shifting directions are not compatible: invert contacts of the two motor supply cables.
- ⚠ For stroke limit switches and/or encoder wiring instruction: see Section 10.

## 6.6 Linear actuator installation

⚠ ALL MECHANICAL AND ELECTRICAL PROTECTION MUST BE INSTALLED AND ACTIVATED TO PREVENT DAMAGE TO PERSONS OR PROPERTY.

- Check that all plant fixing elements are well machined and cleaned, and that they fit the dimensions of the actuators fixing elements they have to be fixed to.
- If the length of the actuator have to be changed (push rod more retracted or extended) during installation, power the motor with limited speed and torque values, in order to avoid possible damages in case of a mechanical stop is reached.
- In case of actuators without anti-rotation device (AR), it is possible to manually screw/unscrew the push rod to change the length of the actuator.

⚠ DO NOT SET THE LENGTH OF THE ACTUATOR OVER ITS EXTREME VALUES:

- "Lc" = RETRACTED ACTUATOR
- "La" = EXTENDED ACTUATOR

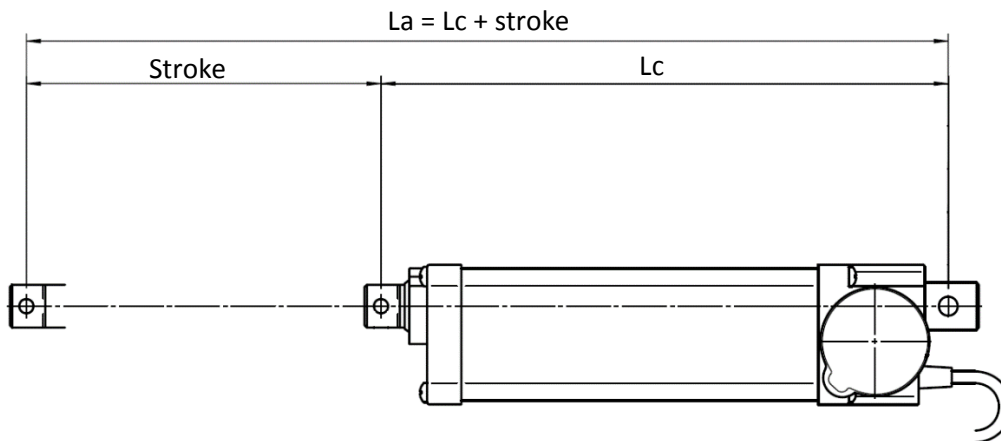


Figure 6.9 – "Lc" and "La" dimensions

Dimensions "Lc" and "La" are indicated in the technical catalogue of the product.

- Fit the actuator to the plant in order to have ONLY axial load applied to the actuator.
- Check the correct alignment between front and rear pins: they must be PARALLEL.
- Check the correct alignment between the actuator and the moving parts.

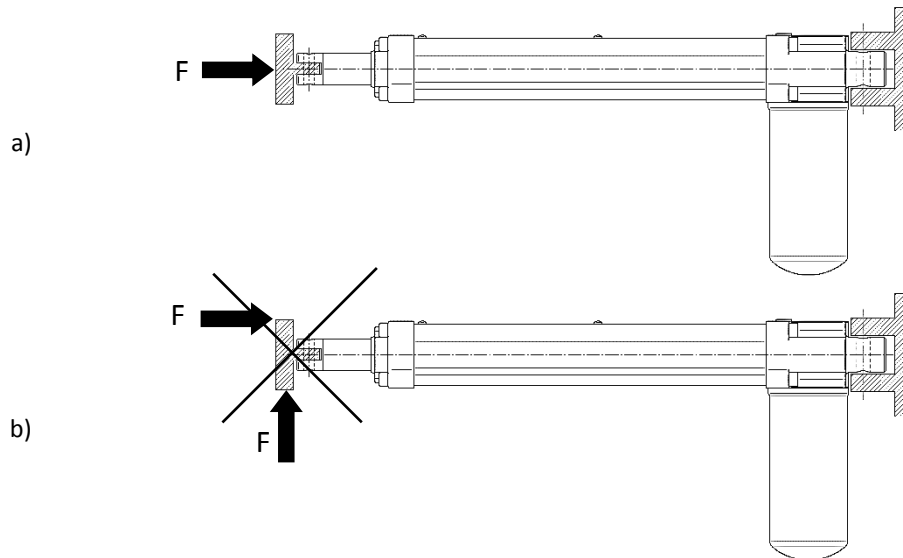


Figure 6.10 – Load on actuator: a) correct; b) not correct

⚠ RIGHT WORKING OF THE ACTUATOR AND PLANT CANNOT BE GUARANTEED IF SIDE OR NOT AXIAL LOAD ARE APPLIED TO THE ACTUATOR.

### 6.7 Installation of rod end fitting elements

- To install a mounting element on the rod end threaded bore (BA), use a wrench flat on the rod end to counterhold the locking torque.
- ⚠ In case of actuator equipped with AR (anti-rotation) device: DO NOT TRANSFER ANY TORQUE TO THE PISTON ROD.
- ⚠ WARNING: in case of torque transfer into the actuator with AR device, the internal mechanical components can be damaged.
- Fix the threaded element with Loctite 270.
- To unmount the element, heat the threaded area to unlock it.
- Unscrew the fitting element counterholding the torque with a wrench flat on the rod end.

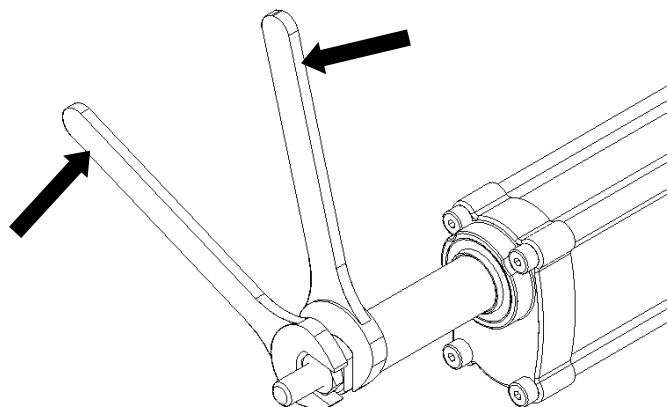


Figure 6.11 – Installation of rod end fitting element

## 7 COMMISSIONING AND USE

LINEARMECH linear actuators are supplied lubricated and ready to be used. Before to start commissioning and activation, the following checks must be carried out:

### Shifting direction check

- Check if the push rod shifting direction is compatible to the indications on the control unit, by powering the electric motor on VERY BRIEFLY. If not, see Section 6.5.
- ⚠ For actuators without anti-rotation device (AR): TO ALLOW THE TRANSLATION OF THE ROD END, THE PUSH ROD ROTATION MUST BE REACTED BY USING EXTERNAL GUIDES.

### Check of extreme working positions

- Check if the extreme dimensions of the actuator “Lc” and “La” (see Fig. 6.9) are compatible with extreme positions of the plant component that has to be moved.
  - Measure the initial length of the actuator, then run the actuator GRADUALLY from the control unit, in order to reach the plant to its more distant extreme position.
  - Check continuously the current actuator length during the motion.
  - Repeat the same procedure for the other extreme position.
- ⚠ TO AVOID DAMAGES, DO NOT TRAVEL OVER THE EXTREME STROKE VALUES Lc and La!
- ⚠ DO NOT REACH STROKE END MECHANICAL STOP!

### Commissioning

At this stage it is possible to start commissioning:

- Carry out one complete working cycle, without load, adjusting the previously set limit switch positions if necessary (see Sections 6.2).
  - Carry out some complete working cycles, increasing gradually the load, until full load is reached.
- ⚠ DURING COMMISSIONING, DO NEVER EXCEED THE MAX ALLOWED DUTY CYCLE FOR THE LINEAR ACTUATOR INDICATED IN SECTION 4.1.4. ANY ABUSE OF SUCH DUTY CYCLE CAN CAUSE OVERHEATING AND UNINTENTIONAL PREMATURE DAMAGING!



## 8 LUBRICATION

LINEARMECH linear actuators LMR series are supplied lubricated, with lubricants indicated in the table below.

ACTUATOR	GEARBOX	LINEAR DRIVE
LMR 01	<b>Grease (NLGI 2 DIN 51818):</b> <b>ENI Grease SM 2</b> Also suitable:	<b>Grease (NLGI 2 DIN 51818):</b> <b>ENI Grease SM 2</b> Also suitable:
LMR 02	SHELL Gadus S2 V220D 2 (NLGI 2)	SHELL Gadus S2 V220D 2 (NLGI 2)
LMR 03	MOBIL Mobilgrease XHP 222 Special (NLGI 2)	MOBIL Mobilgrease XHP 222 Special (NLGI 2)
	FUCHS Renolit FLM 2 (NLGI 2)	FUCHS Renolit FLM 2 (NLGI 2)

*Table 8.1 – Lubricants*

- ⚠ DO NOT USE LUBRICANTS DIFFERENT FROM THOSE ABOVE MENTIONED.
- ⚠ DO NOT MIX INCOMPATIBLE GREASES.
- ⚠ IF DIFFERENT LUBRICANT SHOULD BE USED, PLEASE CONTACT SERVOMECH BEFORE PROCEED.
- ⚠ IN CASE OF CUSTOM PRODUCT EXECUTION, THE LUBRICANTS COULD BE DIFFERENT FROM THE STANDARD ABOVE.

## 9 MAINTENANCE

LINEARMECH linear actuators LMR series are long-life lubricated and do not require any further relubrication.

Maintenance tasks to be carried out monthly are described below:

- Visual inspections of actuator conditions.
- Cleaning of dirty parts of the actuator.
- Check of electric power supply and signal cables.

In case of lubricant leakage or malfunctions, contact SERVOMECH.

## 10 WIRING SCHEMES

For actuator electrical wiring instructions, please refer to following wiring schemes.

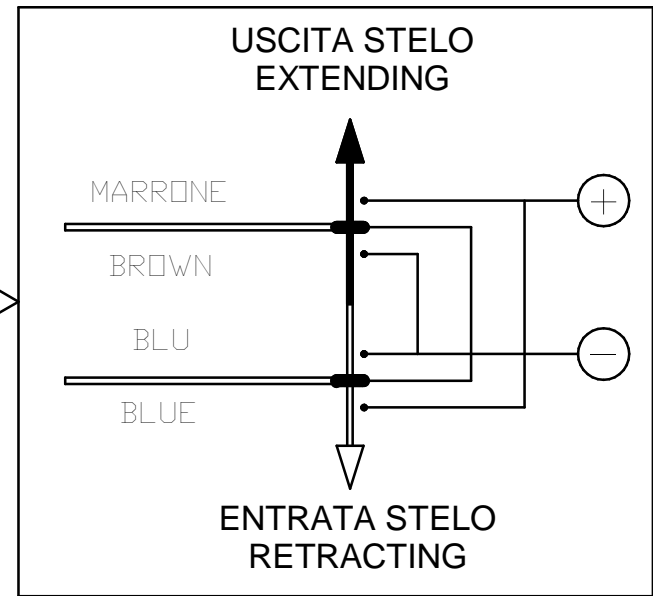
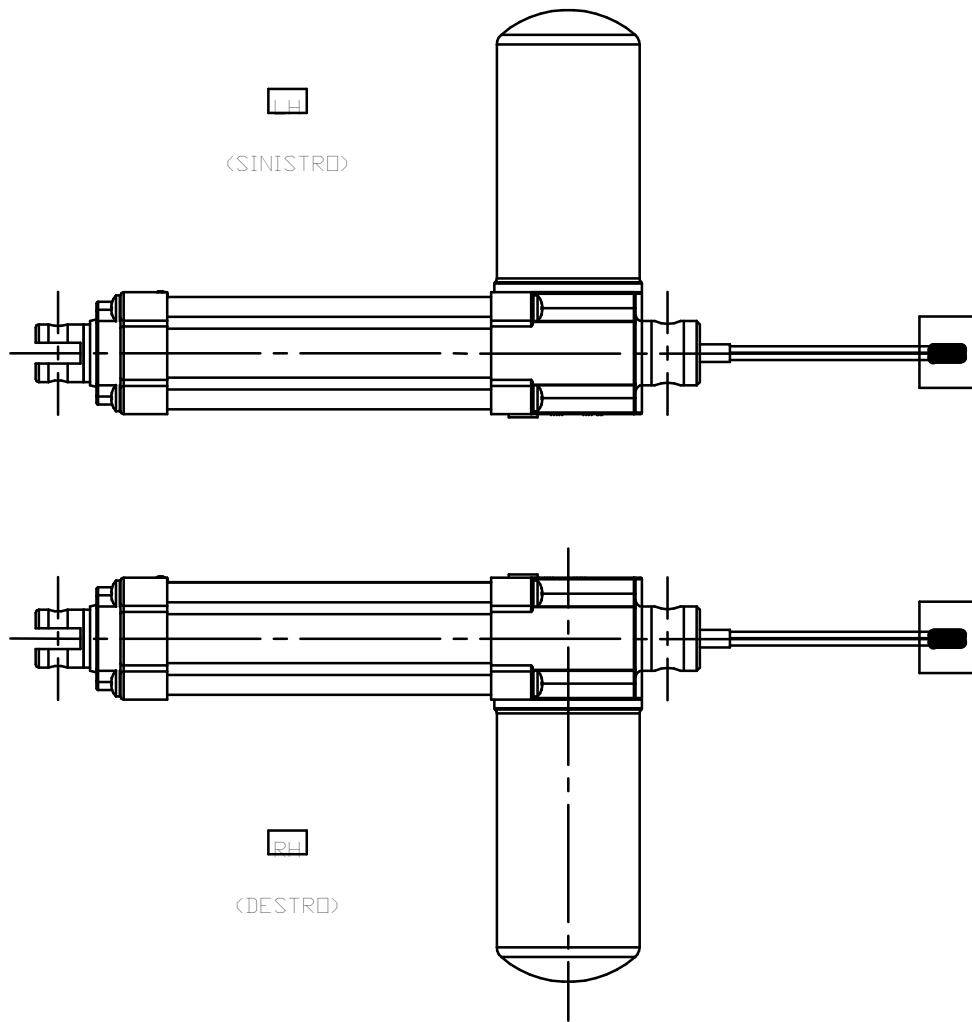
⚠ In case of special wirings, please refer to the wiring instructions supplied with the product.

<b>LMR 01 – LMR 02</b>	
ACTUATOR EQUIPMENT	SCHEME CODE
Motor DC	CA.31.01.70U
Motor DC + microswitches FC2 (NC)	CA.31.01.02U
Motor DC + microswitches FC2 (NO)	CA.31.01.18U
Motor DC + microswitches FC2 (CS)	CA.31.01.05U
Motor DC + microswitches FC2(NC) + GI2x	CA.31.01.33nU
Motor DC + microswitches FC2(NO) + GI2x	CA.31.01.74U
Motor DC + microswitches FC3 (NC)	CA.31.01.03U
Motor DC + microswitches FC2X	CA.31.01.01U
Motor DC + microswitches FC2X + NO	CA.31.01.63U
Motor DC + microswitches FC2X+FC3 (NC)	CA.31.01.04U
Motor DC + microswitches FC2X+FC3 (NO)	CA.31.01.20U
Motor DC + microswitches FC2X + GI2x	CA.31.01.34U
Motor DC + pulses generator GI2x	CA.31.01.30U

*Table 10.1 – Wiring schemes of LMR01 – LMR02*

<b>LMR 03</b>	
ACTUATOR EQUIPMENT	SCHEME CODE
Motor DC	CA.31.01.70U
Motor DC + microswitches FC2 (NC)	CA.31.03.02U
Motor DC + microswitches FC2 (NO)	CA.31.03.18U
Motor DC + microswitches FC2 (CS)	CA.31.03.05U
Motor DC + microswitches FC2(NC) + GI2x	CA.31.03.60U
Motor DC + microswitches FC3 (NC)	CA.31.03.03U
Motor DC + microswitches FC2X	CA.31.03.01U
Motor DC + microswitches FC2X + NO	CA.31.01.63U
Motor DC + microswitches FC2X+FC3 (NC)	CA.31.03.04U
Motor DC + microswitches FC2X+FC3 (NO)	CA.31.03.20U
Motor DC + microswitches FC2X + GI2x	CA.31.03.72U

*Table 10.2 – Wiring schemes of LMR03*



QUESTO DISEGNO E' DI PROPRIETA' ESCLUSIVA DELLA SERVOMECH s.r.l. NE E' PERTANTO TASSATIVAMENTE VIETATA LA RIPRODUZIONE O COMUNQUE LA CESSIONE A TERZI SENZA SPECIFICA AUTORIZZAZIONE DELLA SERVOMECH s.r.l.

F			
E			
D			
C			
B			
A			
MODIFICHE			



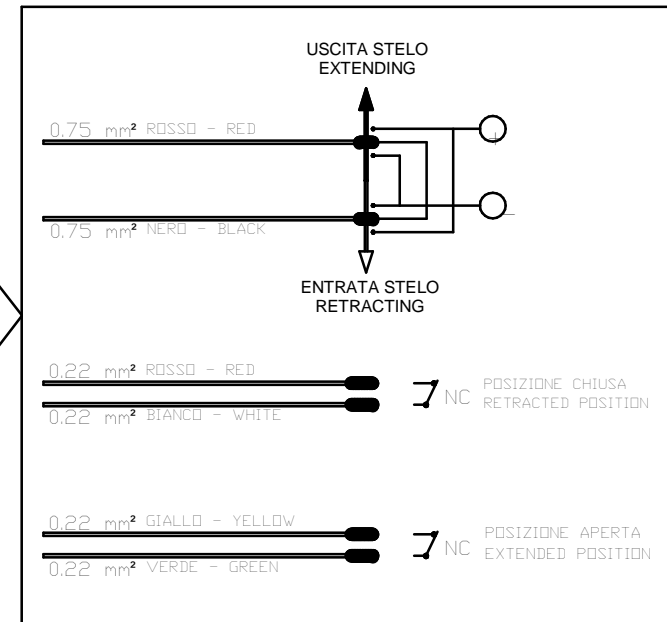
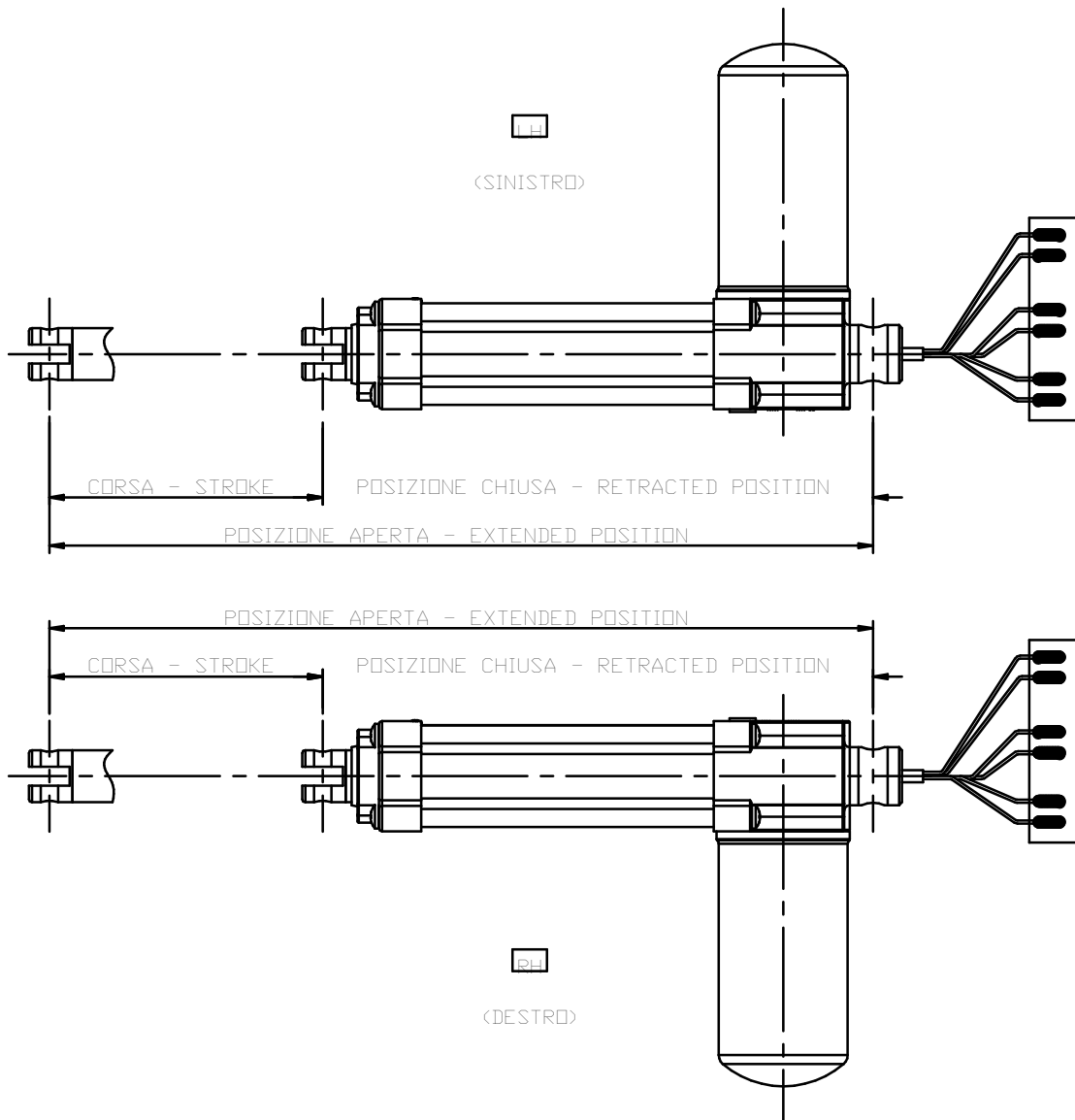
Servomech s.r.l.  
Anzola dell'Emilia (BO) - Italy

SCALA  
1 : 1

DENOMINAZIONE  
LMR01 - Cablaggio motore C.C. + microinterruttori FC2X  
LMR01 - Wiring diagram for DC motor + switches FC2X

	DATA	FIRMA	MODIFICHE					
Disegnato:	20/01/2017	S. Zambelli	A	B	C	D	E	F
Verificato:			SOSTITUISCE IL					
			SOSTITUITO DAL					

N° DISEGNO	Rev.
CA.31.01.01U	/
Foglio 1 di 1	F.to: A3



QUESTO DISEGNO E' DI PROPRIETA' ESCLUSIVA DELLA SERVOMECH S.r.l. NE E' PERTANTO TASSATIVAMENTE VIETATA LA RIPRODUZIONE O COMUNQUE LA CESSIONE A TERZI SENZA SPECIFICA AUTORIZZAZIONE DELLA SERVOMECH S.r.l.

F				
E				
D				
C				
B				
A				

**Linear-Mech**  
 Servomech s.r.l.  
 Anzola dell'Emilia (BO) - Italy

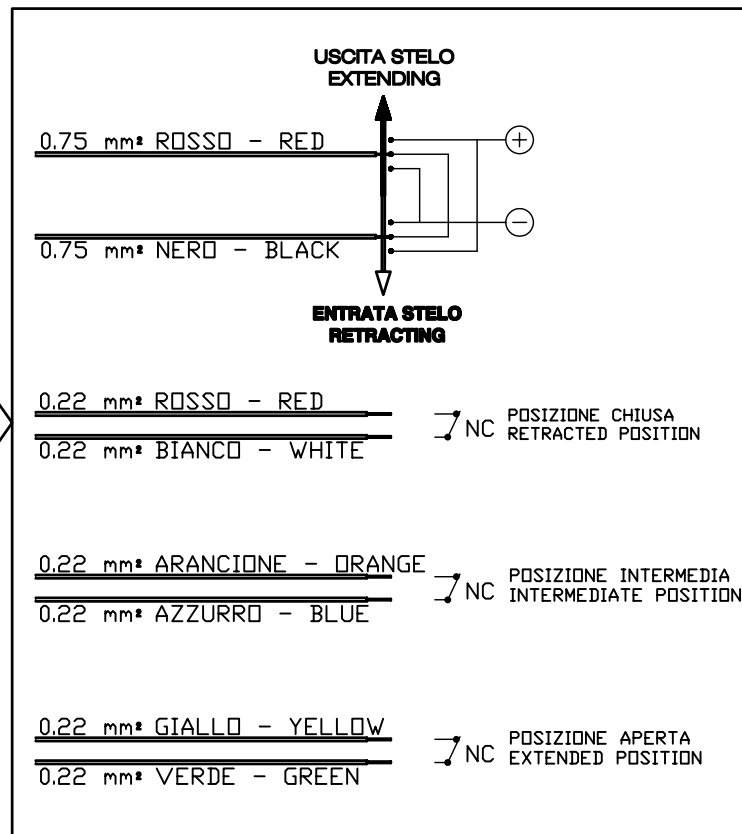
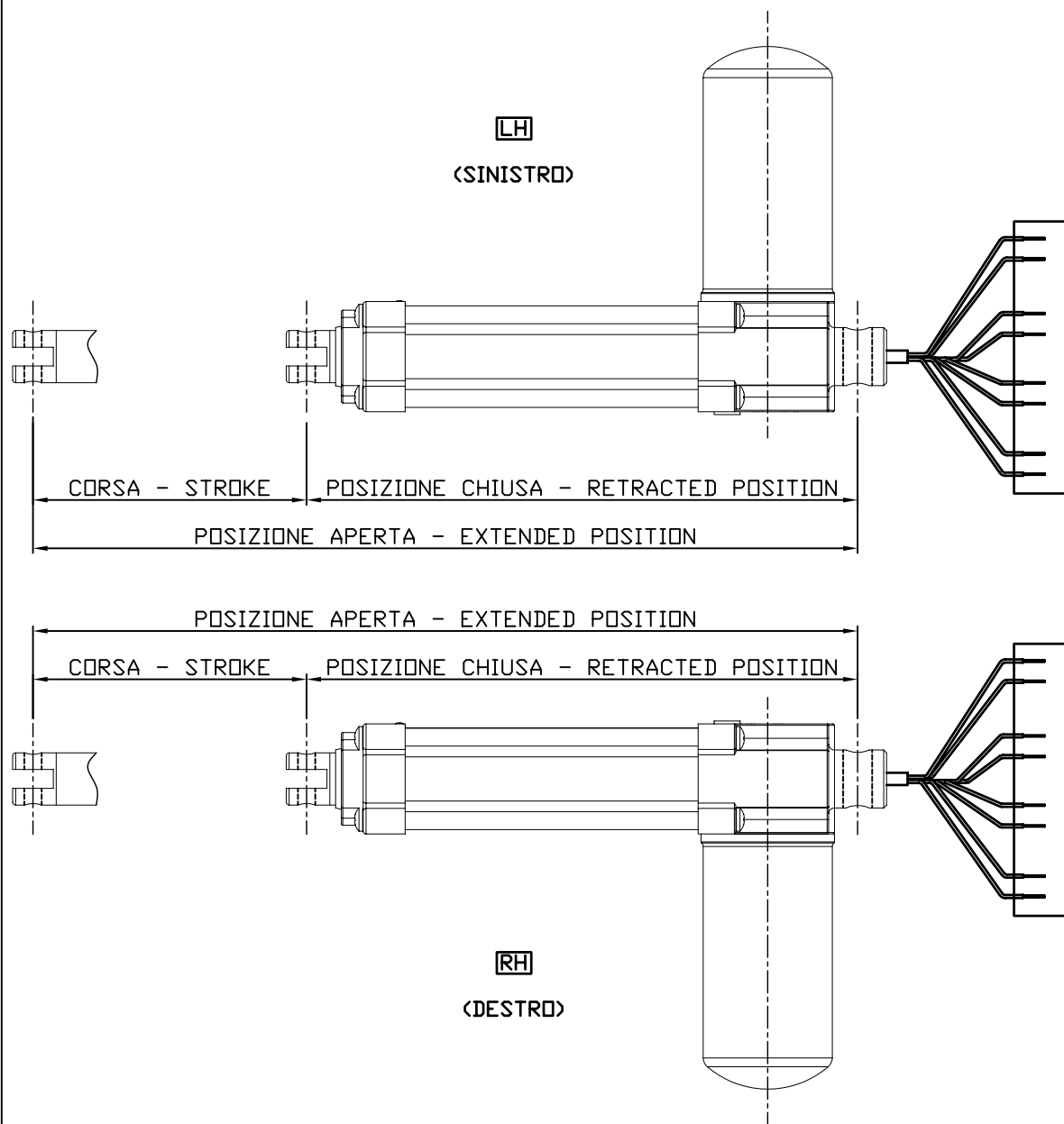
DATA	FIRMA
Disegnato: 11/2005	C. Fornelli
Verificato: 11/2005	V. Petkovic

MODIFICHE					
A	B	C	D	E	F
SOSTITUISCE IL					
SOSTITUITO DAL					

SCALA	DENOMINAZIONE
1 : 1	LMR01 - Cablaggio motore C.C. + microinterruttori FC2 (NC) LMR01 - Wiring diagram for DC motor + switches FC2 (NC)

N° DISEGNO	Rev.
CA.31.01.02U	/
Foglio 1 di 1	F.to A3

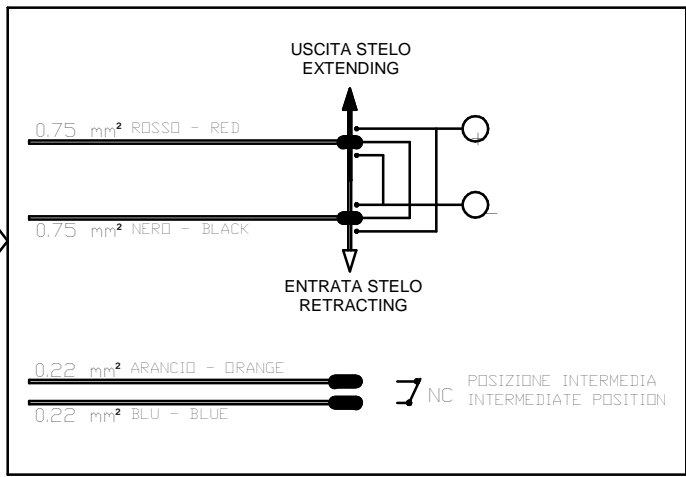
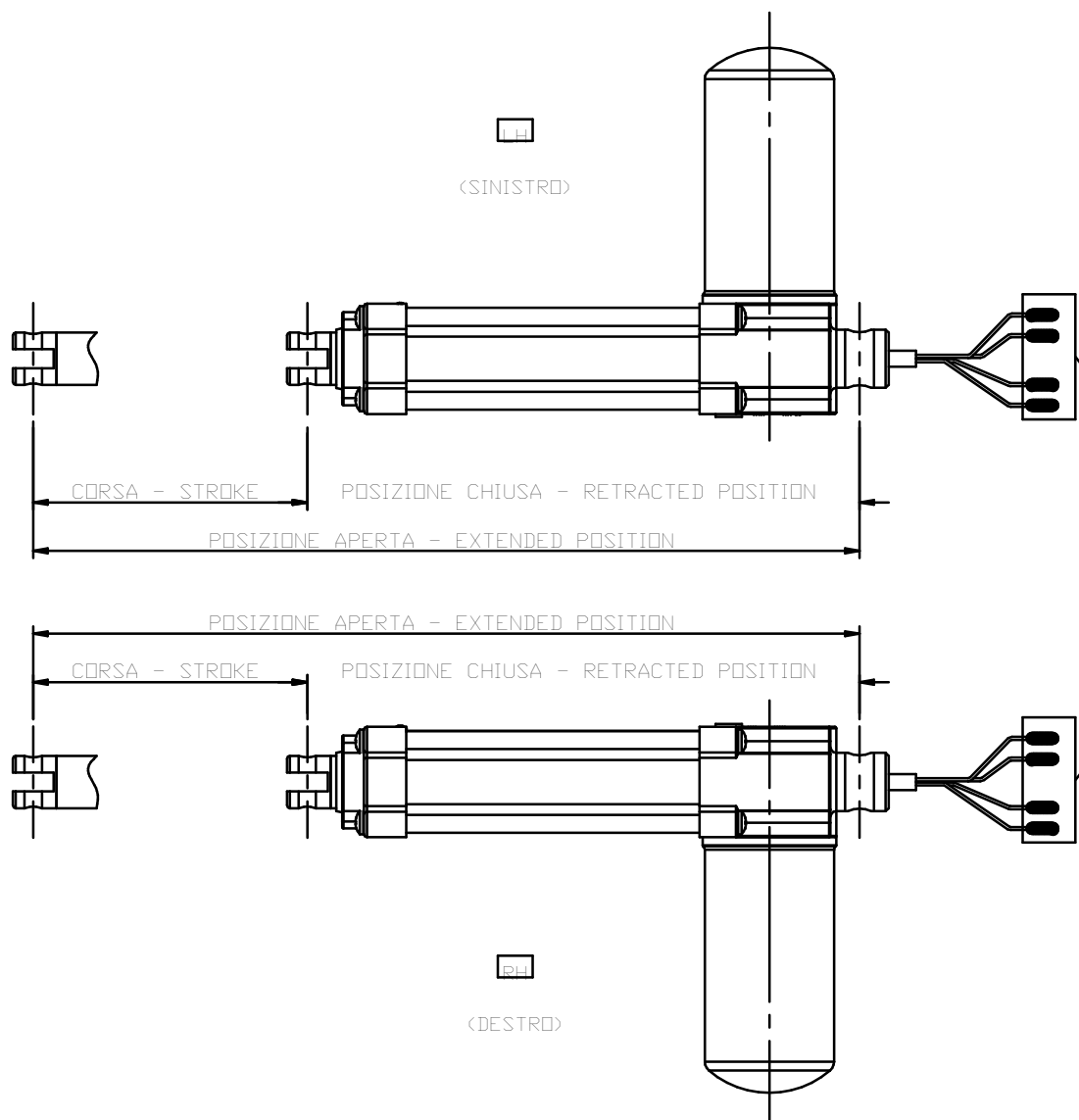
MODIFICHE



QUESTO DISEGNO E' DI PROPRIETA' ESCLUSIVA DELLA SERVOMECH s.r.l. NE E' PERTANTO TASSATIVAMENTE VIETATA LA RIPRODUZIONE O COMUNQUE LA CESSIONE A TERZI SENZA SPECIFICA AUTORIZZAZIONE DELLA SERVOMECH s.r.l.

F			
E			
D			
C			
B			
A			
MODIFICHE			

<b>Linear-Mech.</b> Servomech s.r.l. Anzola dell'Emilia (BO) - Italy	DATA	FIRMA	MODIFICHE				
	Disegnato: 11/2005	C. Fornelli	A	B	C	D	E
Verificato: 11/2005	V. Petkovic	SOSTITUISCE IL		SOSTITUITO DAL			
SCALA	DENOMINAZIONE	N° DISEGNO	Rev.				
1 : 1	LMR01 - Cablaggio motore C.C. + microinterruttori FC3 (NC) LMR01 - Wiring diagram for DC motor + switches FC3 (NC)	CA.31.01.03U	/				
		Foglio 1 di 1		F.to: A3			



QUESTO DISEGNO E' DI PROPRIETA' ESCLUSIVA DELLA SERVOMECH s.r.l. NE E' PERTANTO TASSATIVAMENTE VIETATA LA RIPRODUZIONE O COMUNQUE LA CESSIONE A TERZI SENZA SPECIFICA AUTORIZZAZIONE DELLA SERVOMECH s.r.l.

F				
E				
D				
C				
B				
A				

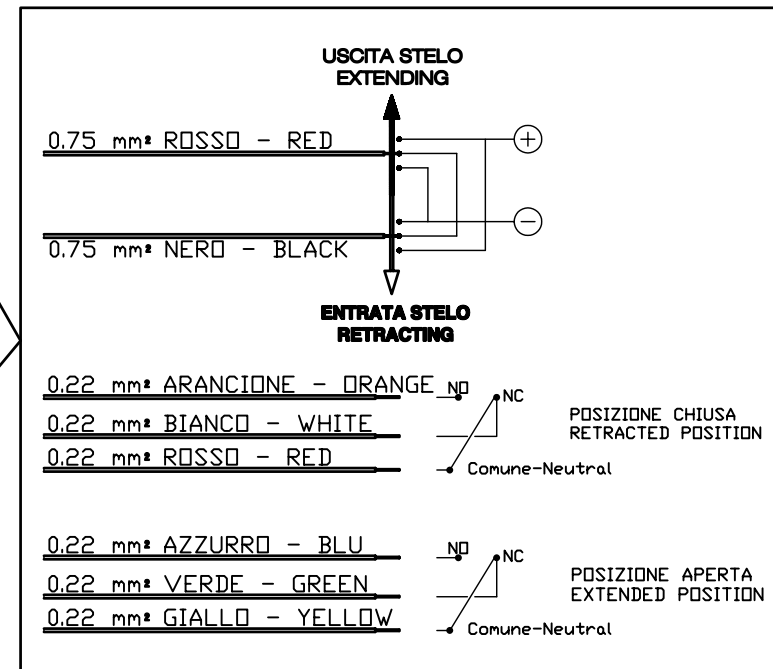
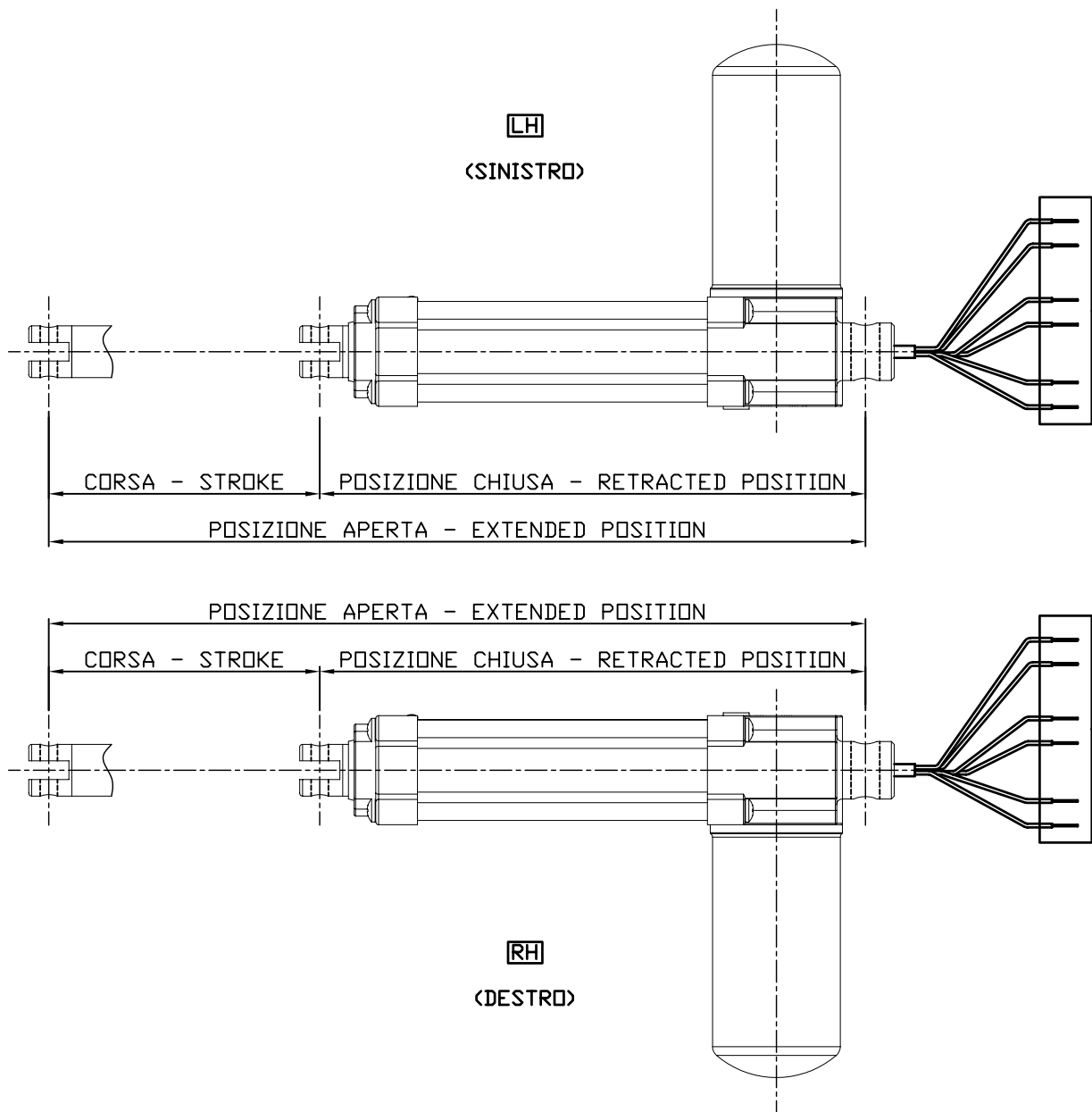
**Linear-Mech**  
 Servomech s.r.l.  
 Anzola dell'Emilia (BO) - Italy

DATA	FIRMA	MODIFICHE
Disegnato: 22/01/2016	S. Zambelli	A B C D E F
Verificato:		SOSTITUISCE IL
		SOSTITUITO DA:

SCALA 1 : 1  
 DENOMINAZIONE  
 LMR01 - Cablaggio motore C.C. + microinterruttori FC2X+FC (NC)  
 LMR01 - Wiring diagram for DC motor + switches FC2X+FC (NC)

N° DISEGNO	Rev.
CA.31.01.04U	/
foglio 1 di 1	/ to: A3

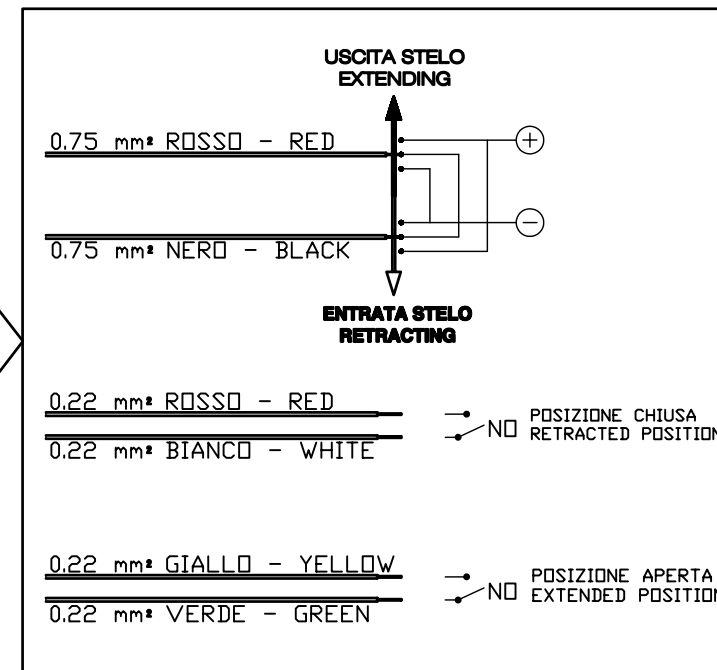
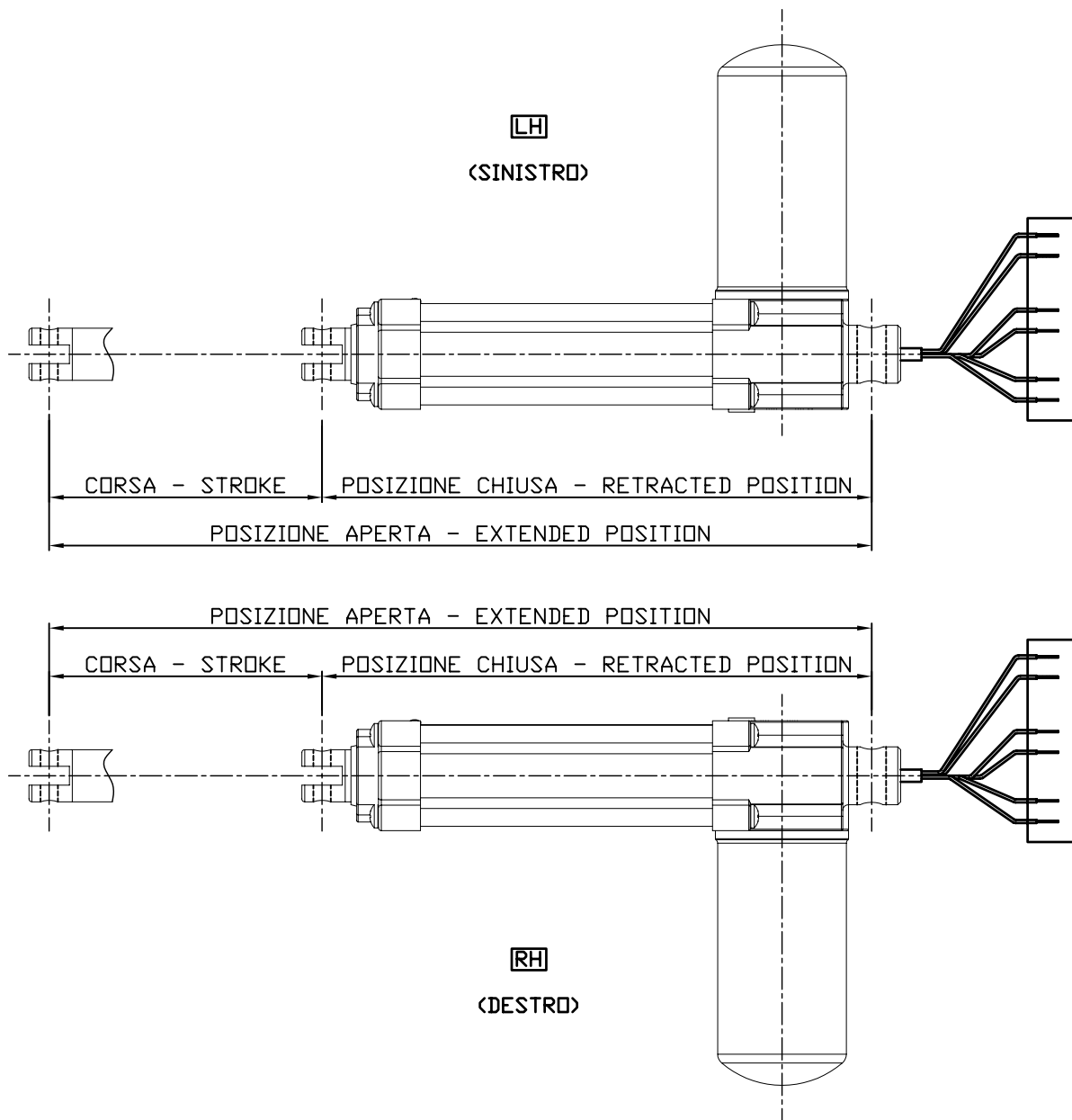
MODIFICHE



QUESTO DISEGNO E' DI PROPRIETA' ESCLUSIVA DELLA SERVOMECH s.r.l. NE E' PERTANTO TASSATIVAMENTE VIETATA LA RIPRODUZIONE O COMUNQUE LA CESSIONE A TERZI SENZA SPECIFICA AUTORIZZAZIONE DELLA SERVOMECH s.r.l.

F			
E			
D			
C			
B			
A			
MODIFICHE			

<b>Linear-Mech.</b> Servomech s.r.l. Anzola dell'Emilia (BO) - Italy	DATA	FIRMA	MODIFICHE				
	Disegnato: 11/2005	C. Fornelli	A	B	C	D	E
Verificato: 11/2005	V. Petkovic	SOSTITUISCE IL		SOSTITUITO DAL			
SCALA	DENOMINAZIONE	N° DISEGNO	Rev.				
1 : 1	LMR01 - Cablaggio motore C.C. + microinterruttori FC2 (CS)	CA.31.01.05U	/				
		Foglio 1 di 1		F.to: A3			

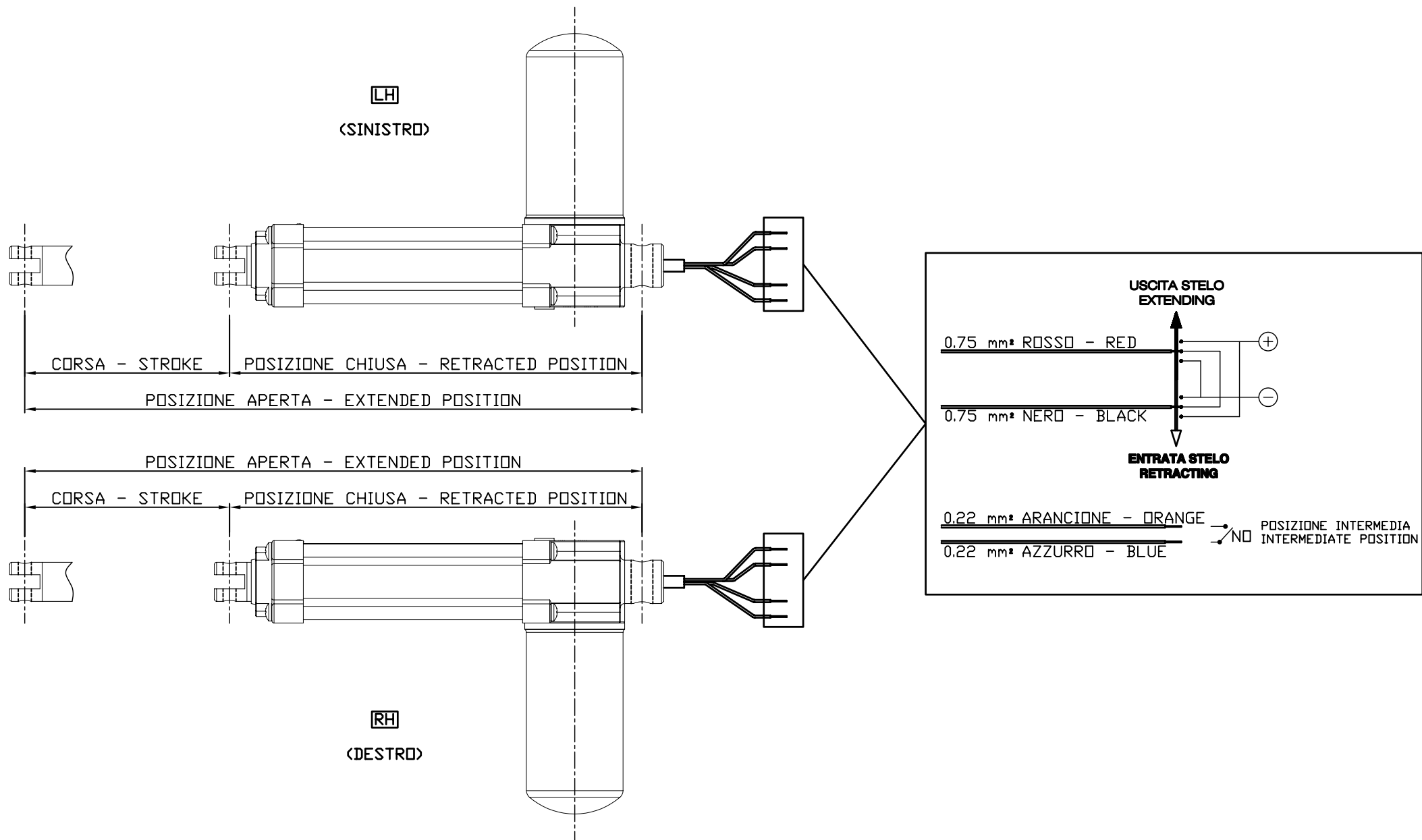


QUESTO DISEGNO E' DI PROPRIETA' ESCLUSIVA DELLA SERVOMECH s.r.l. NE E' PERTANTO TASSATIVAMENTE VIETATA LA RIPRODUZIONE O COMUNQUE LA CESSIONE A TERZI SENZA SPECIFICA AUTORIZZAZIONE DELLA SERVOMECH s.r.l.

F			
E			
D			
C			
B			
A			
MODIFICHE			

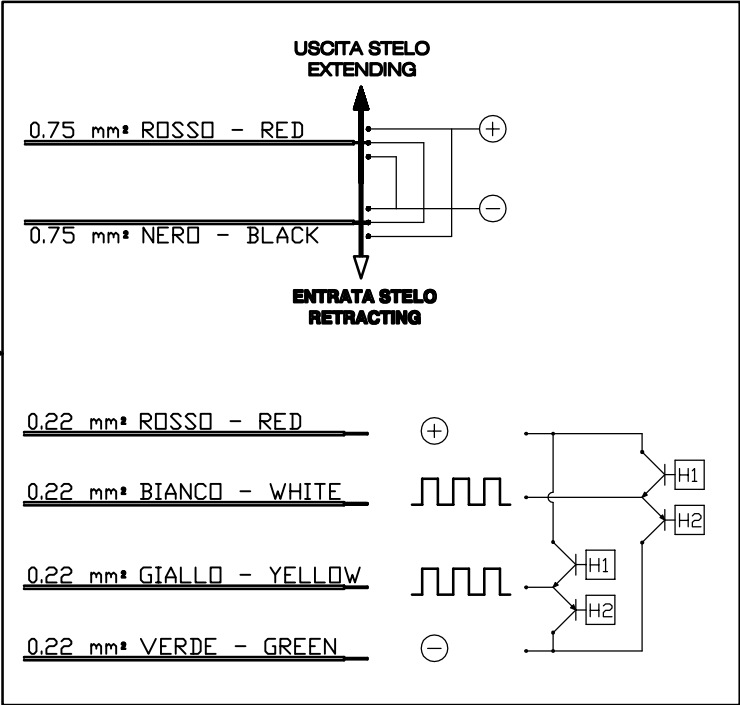
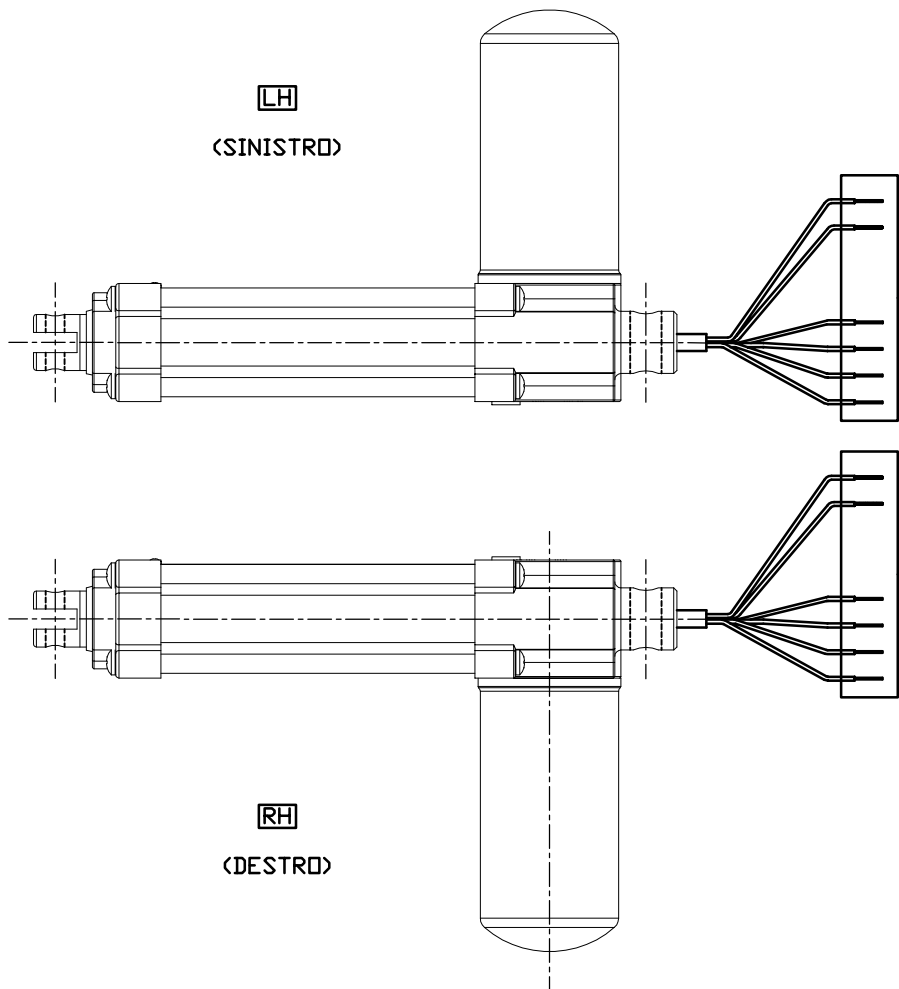
	DATA	FIRMA	MODIFICHE					
	Disegnato: 03/2006	C. Fornelli	A	B	C	D	E	F
Verificato: 03/2006	V. Petkovic	SOSTITUISCE IL		SOSTITUITO DAL				
SCALA	DENOMINAZIONE	N° DISEGNO	Rev.					
1 : 1	LMR01 - Cablaggio motore C.C. + microinterruttori FC2 (NO)	CA.31.01.18U	/					
	LMR01 - Wiring diagram for DC motor + switches FC2 (NO)	Foglio 1 di 1	F.to: A3					





QUESTO DISEGNO E' DI PROPRIETA' ESCLUSIVA DELLA SERVOMECH s.r.l. NE E' PERTANTO TASSATIVAMENTE VIETATA LA RIPRODUZIONE O COMUNQUE LA CESSIONE A TERZI SENZA SPECIFICA AUTORIZZAZIONE DELLA SERVOMECH s.r.l.

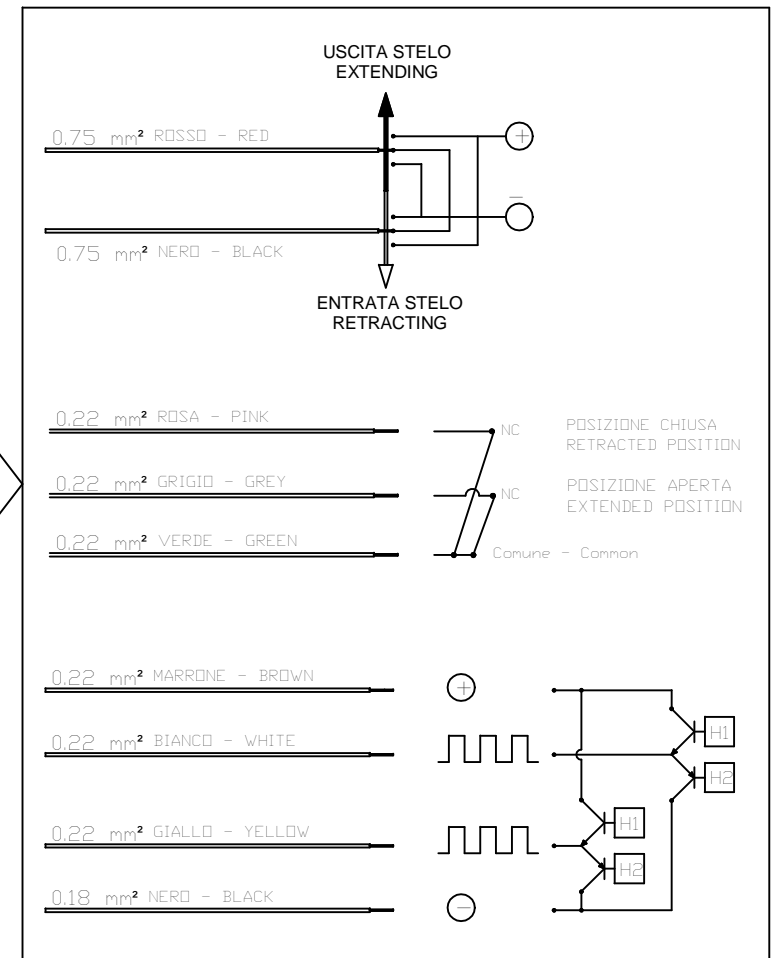
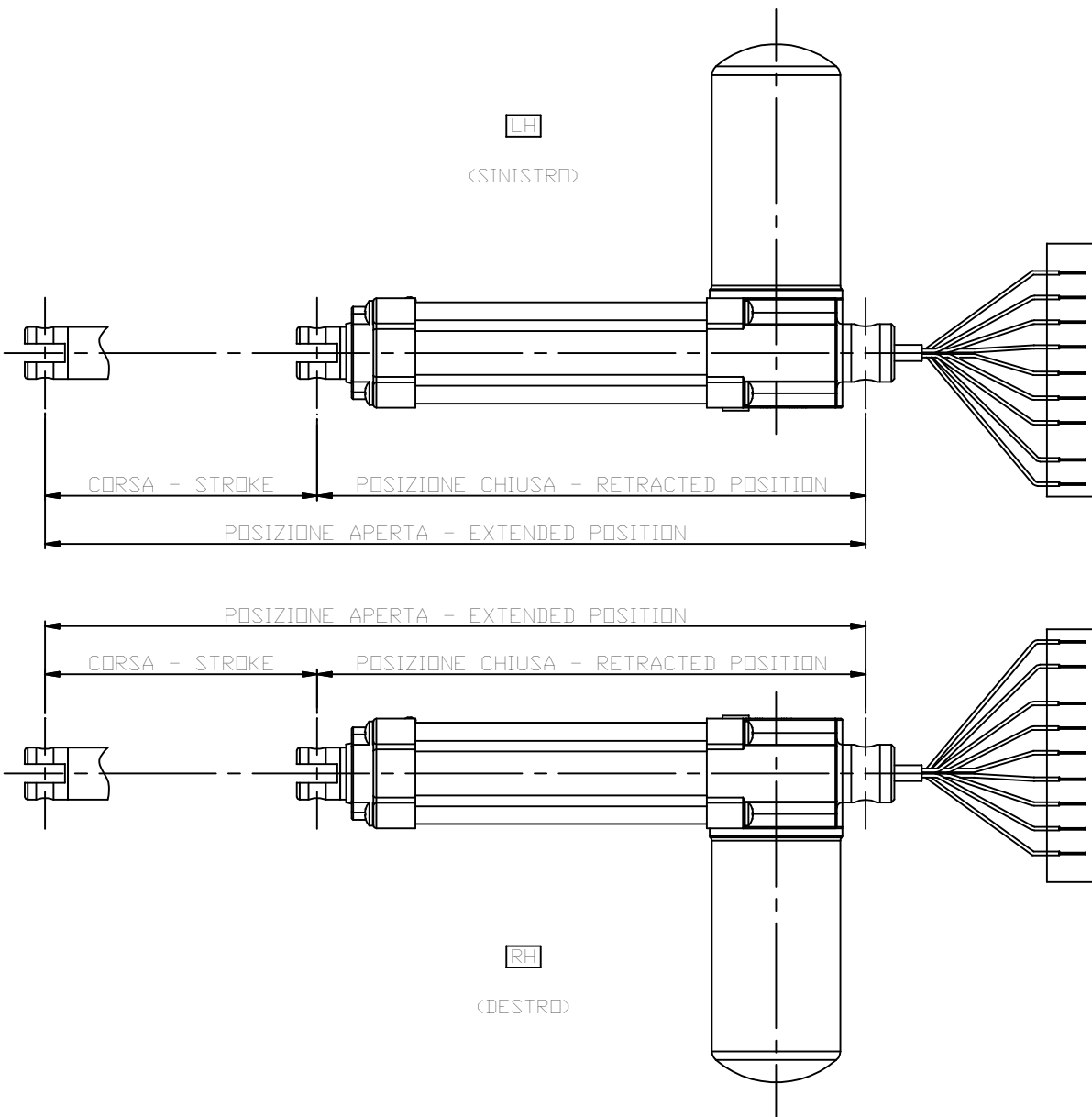
F				 Servomech s.r.l. Anzola dell'Emilia (BO) - Italy		DATA	FIRMA	MODIFICHE
E					Disegnato:	11/2005	C. Fornelli	A   B   C   D   E   F
D					Verificato:	11/2005	V. Petkovic	SOSTITUISCE IL
C								SOSTITUITO DAL
B					SCALA	DENOMINAZIONE		N° DISEGNO
A					1 : 1	LMR01 - Cablaggio motore C.C. + microinterruttori FC2X+FC (ND) LMR01 - Wiring diagram for DC motor + switches FC2X+FC (ND)		CA.31.01.20U
MODIFICHE							Rev. /	
							Foglio 1 di 1	F.to: A3



QUESTO DISEGNO E' DI PROPRIETA' ESCLUSIVA DELLA SERVOMECH s.r.l. NE E' PERTANTO TASSATIVAMENTE VIETATA LA RIPRODUZIONE O COMUNQUE LA CESSIONE A TERZI SENZA SPECIFICA AUTORIZZAZIONE DELLA SERVOMECH s.r.l.

F	E	D	C	B	A	 Servomech s.r.l. Anzola dell'Emilia (BO) - Italy	DATA	FIRMA	MODIFICHE					
							Disegnato: 02/03/2010	S.Zambelli	A	B	C	D	E	F
							Verificato:		SOSTITUISCE IL					
							SCALA	DENOMINAZIONE		SOSTITUITO DAL				
							1 : 1	LMR01 - Cablaggio motore C.C. + generatore impulsi GI2X		N° DISEGNO				
							LMR01 - Wiring diagram for DC motor + puls generator GI2X		CA.31.01.30U					
									Foglio 1 di 1					
									Rev. /					
									F.to: A3					

MODIFICHE					



QUESTO DISEGNO E' DI PROPRIETA' ESCLUSIVA DELLA SERVOMECH s.r.l. NE E' PERTANTO TASSATIVAMENTE VIETATA LA RIPRODUZIONE O COMUNQUE LA CESSIONE A TERZI SENZA SPECIFICA AUTORIZZAZIONE DELLA SERVOMECH s.r.l.

F			
E			
D			
C			
B			
A			
MODIFICHE			

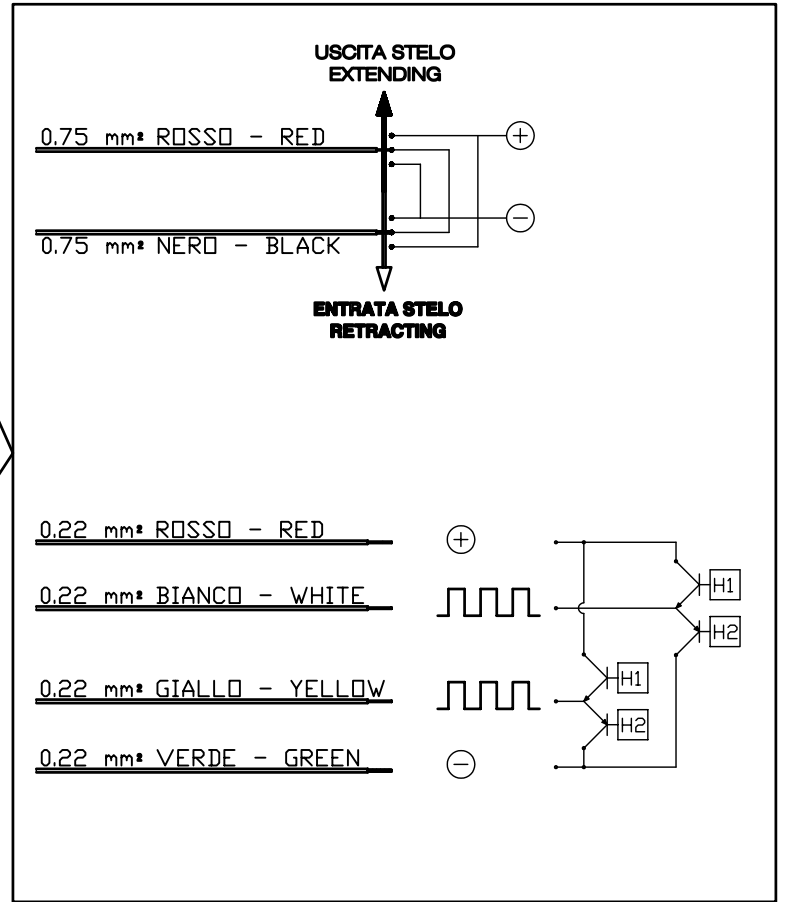
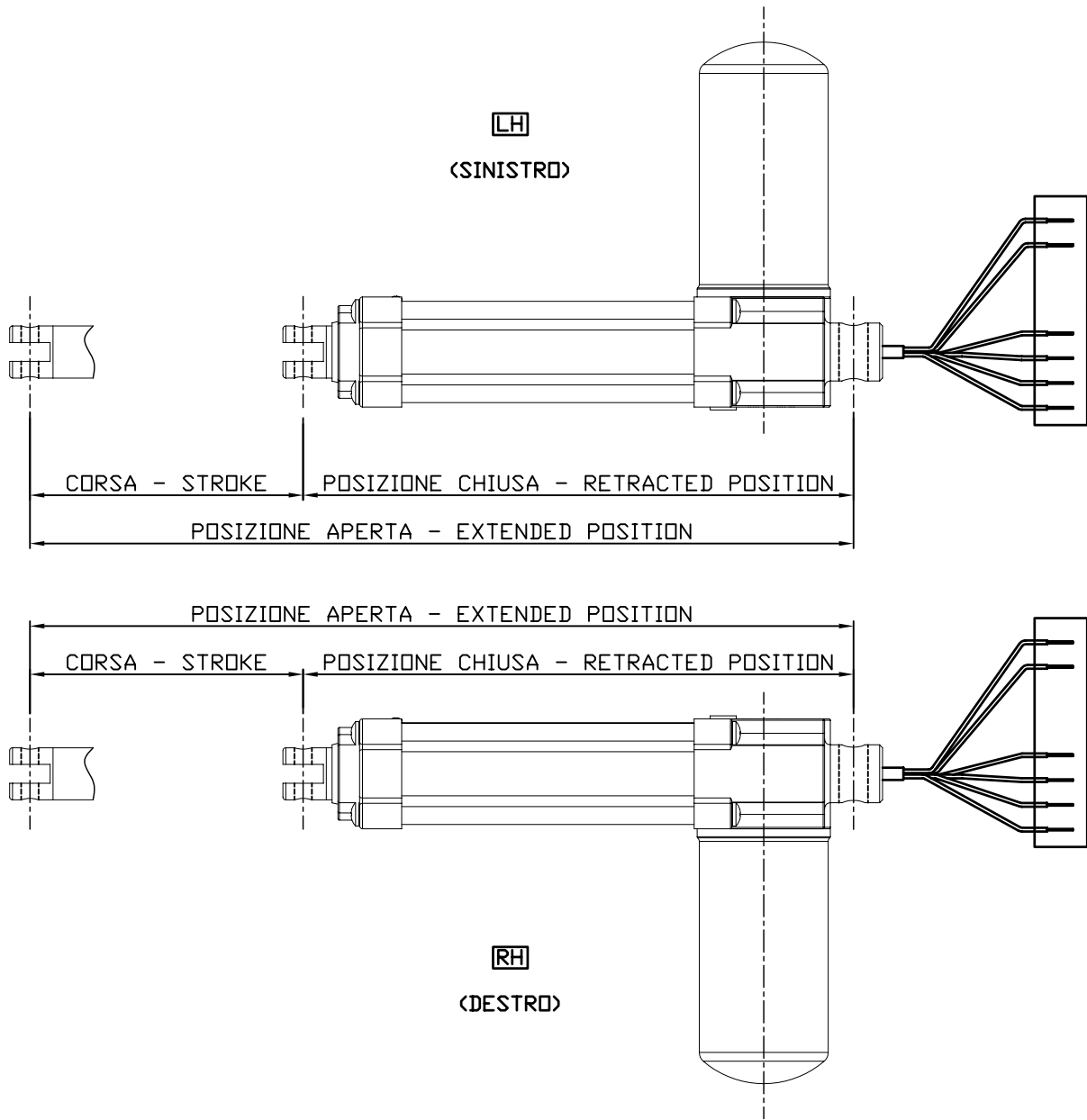


Servomech s.r.l.  
Anzola dell'Emilia (BO) - Italy

SCALA  
1 : 1

DENOMINAZIONE  
LMR01 - Cablaggio motore C.C. + microinterruttori FC2 (NC) + G12x  
LMR01 - Wiring diagram for DC motor + switches FC2 (NC) + G12x

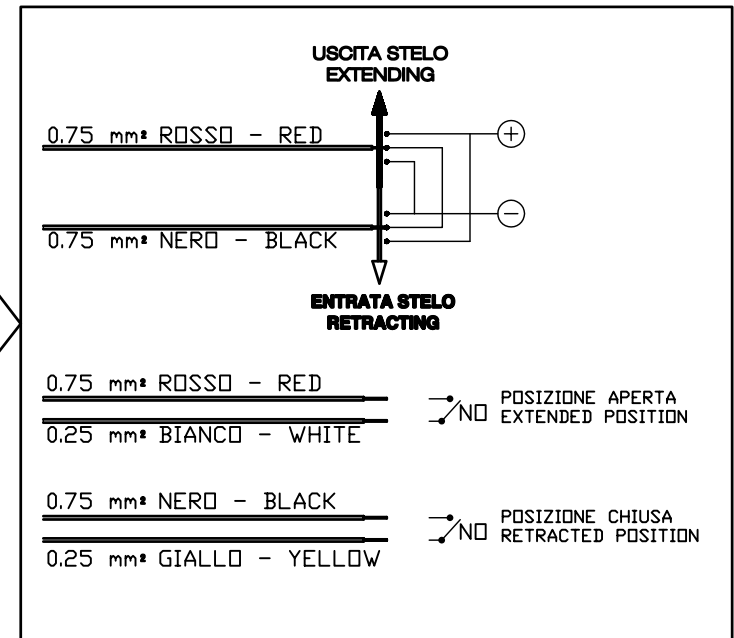
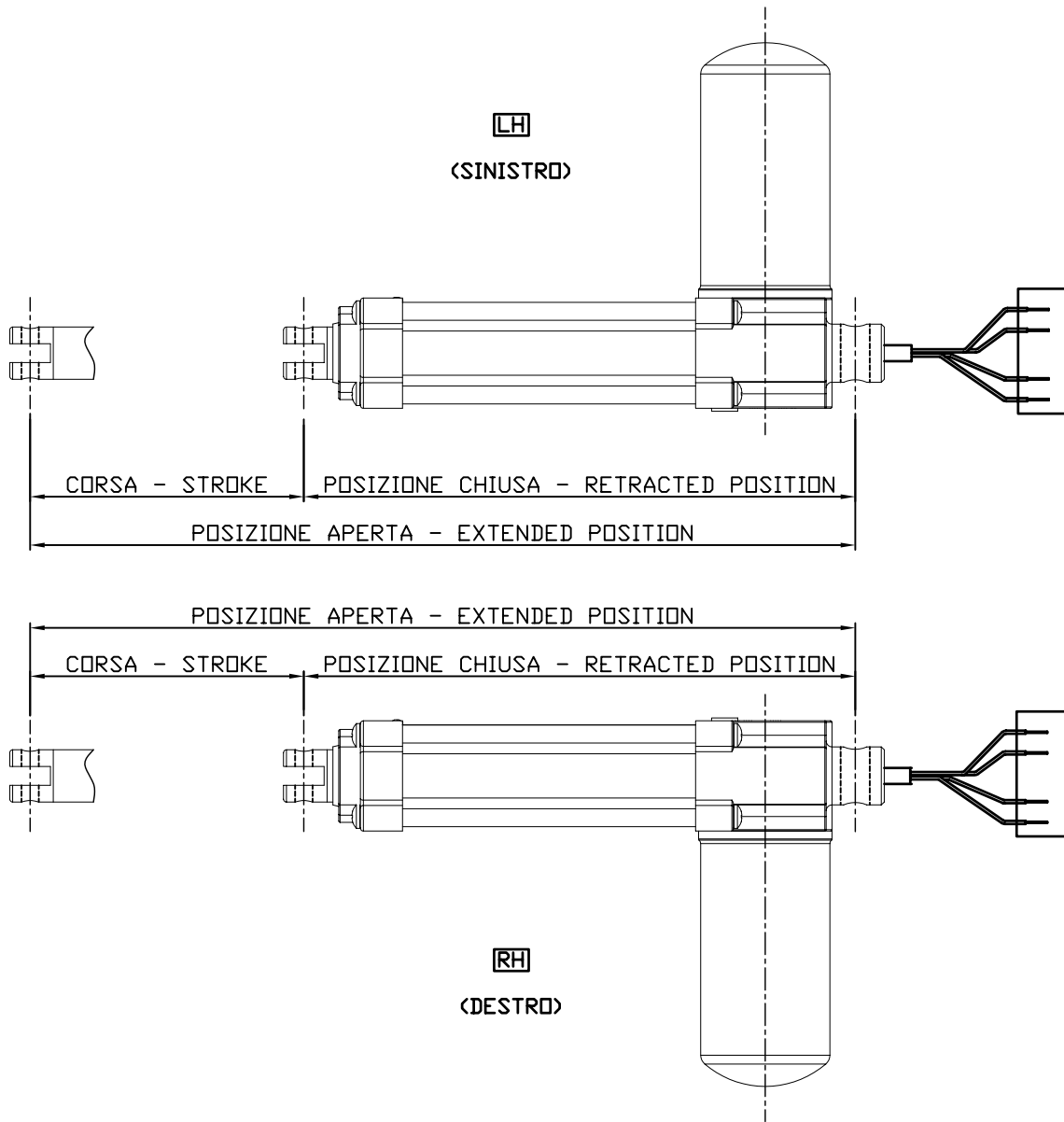
DATA	FIRMA	MODIFICHE			
Disegnato: 11/01/2011	S.Zambelli	A	B	C	D E F
Verificato:		SOSTITUISCE IL			
		SOSTITUITO DAL			
N° DISEGNO CA.31.01.33nU		Rev. /			
Pagina 1 di 1		F.to: A3			



QUESTO DISEGNO E' DI PROPRIETA' ESCLUSIVA DELLA SERVOMECH s.r.l. NE E' PERTANTO TASSATIVAMENTE VIETATA LA RIPRODUZIONE O COMUNQUE LA CESSIONE A TERZI SENZA SPECIFICA AUTORIZZAZIONE DELLA SERVOMECH s.r.l.

F			
E			
D			
C			
B			
A			
MODIFICHE			

	DATA	FIRMA	MODIFICHE				
	Disegnato: 12/2006	C. Fornelli	A	B	C	D	E
Verificato: 12/2006	V. Petkovic	SOSTITUISCE IL		SOSTITUITO DAL			
SCALA	DENOMINAZIONE	N° DISEGNO		Rev.			
1 : 1	LMR01 - Cablaggio motore C.C. + microinterruttori FC2X + generatore impulsi G12X LMR01 - Wiring diagram for DC motor + switches FC2X + puls generator G12X	CA.31.01.34U		/			
		Foglio 1 di 1		F.to: A3			



QUESTO DISEGNO E' DI PROPRIETA' ESCLUSIVA DELLA SERVOMECH s.r.l. NE E' PERTANTO TASSATIVAMENTE VIETATA LA RIPRODUZIONE O COMUNQUE LA CESSIONE A TERZI SENZA SPECIFICA AUTORIZZAZIONE DELLA SERVOMECH s.r.l.

F				
E				
D				
C				
B				
A				



Servomech s.r.l.  
Anzola dell'Emilia (BO) - Italy

SCALA

1 : 1

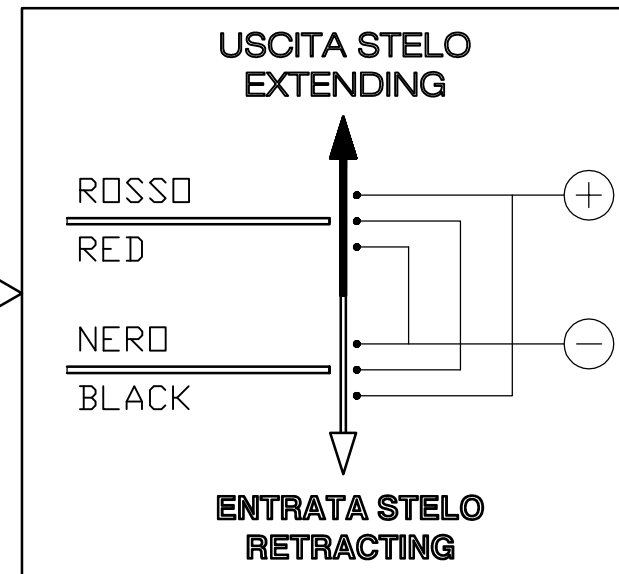
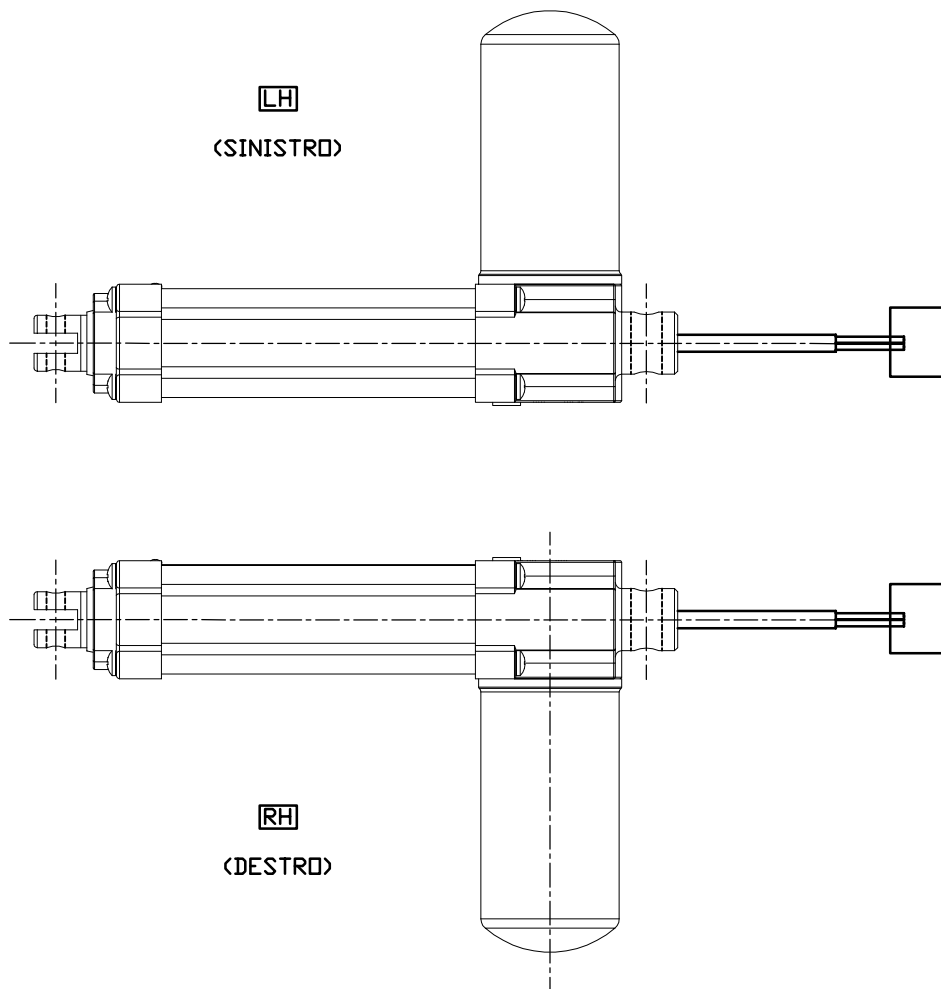
DENOMINAZIONE

LMR01 - Cablaggio motore C.C. + microinterruttori FC2X+ND  
LMR01 - Wiring diagram for DC motor + switches FC2X+ND

	DATA	FIRMA	MODIFICHE	
			A	B
Disegnato:	29/01/2008	S. Zambelli	C	D
Verificato:			E	F
			SOSTITUISCE IL	
			SOSTITUITO DAL	

N° DISEGNO	Rev.
CA.31.01.63U	/
Foglio 1 di 1	F.to: A3

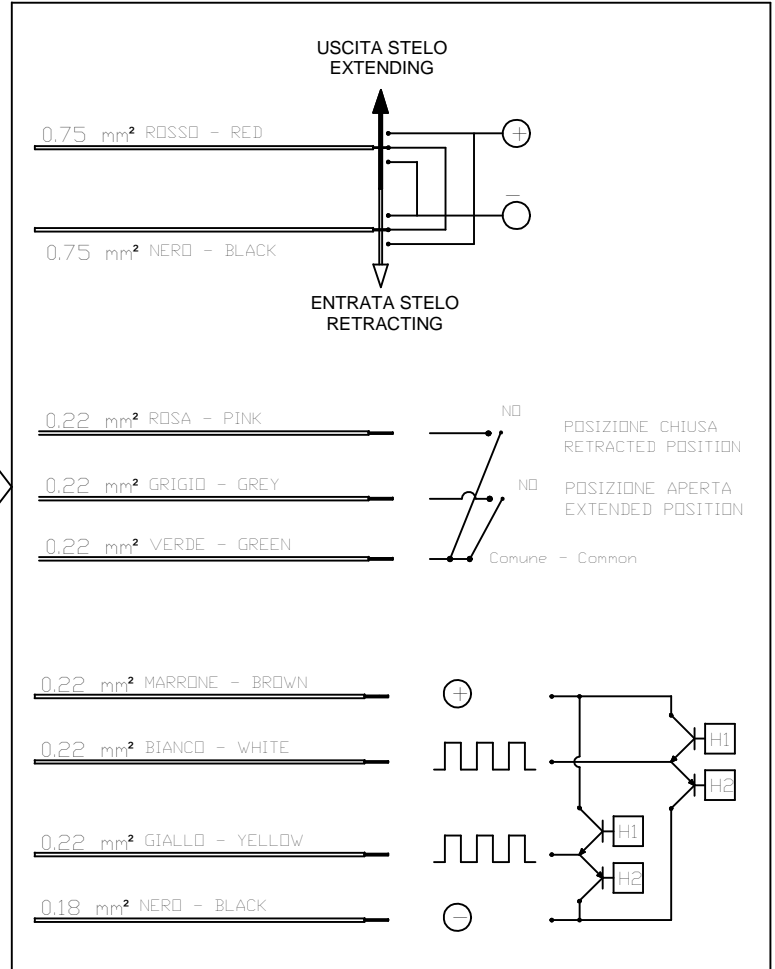
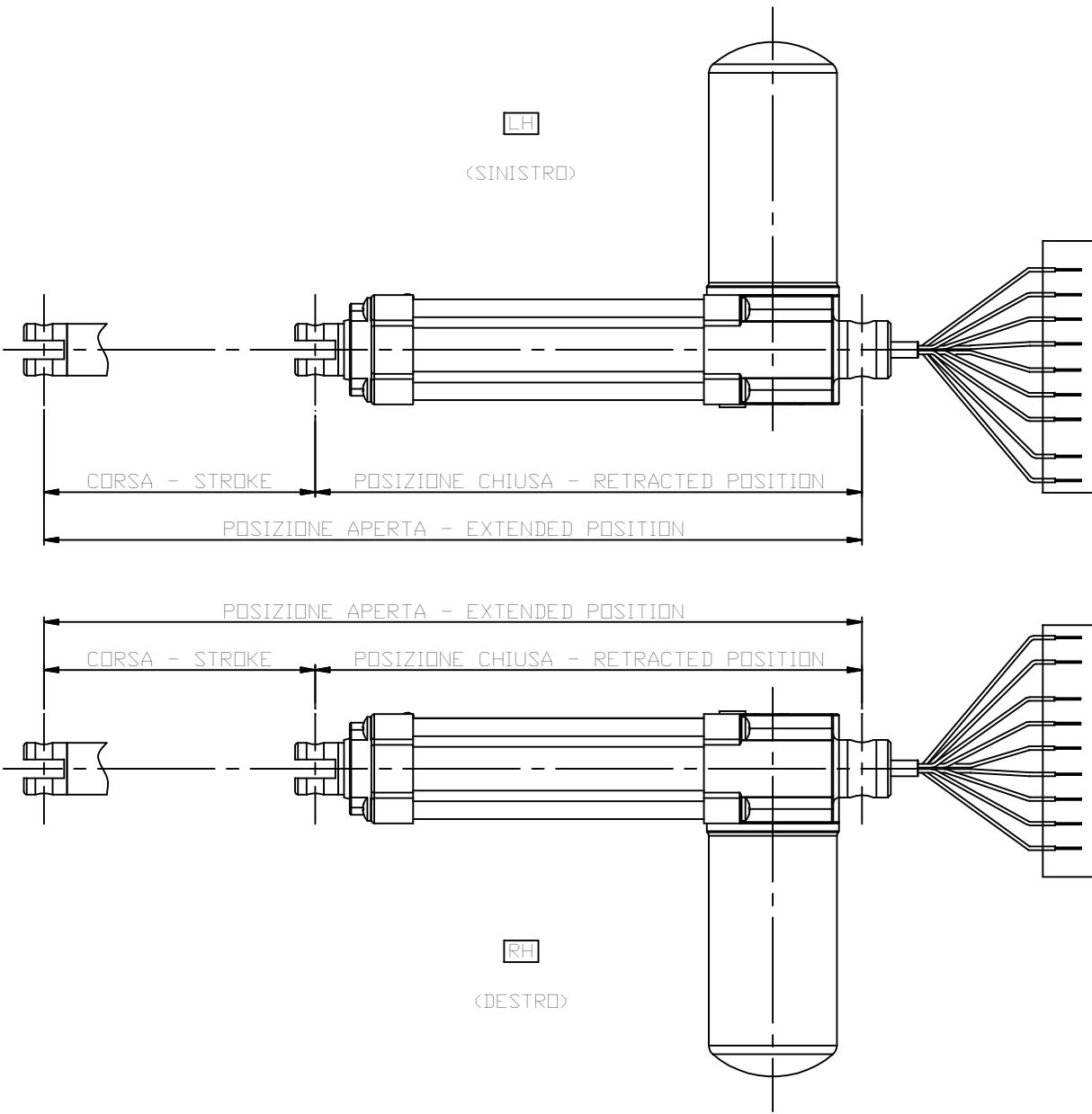
MODIFICHE



QUESTO DISEGNO E' DI PROPRIETA' ESCLUSIVA DELLA SERVOMECH s.r.l. NE E' PERTANTO TASSATIVAMENTE VIETATA LA RIPRODUZIONE O COMUNQUE LA CESSIONE A TERZI SENZA SPECIFICA AUTORIZZAZIONE DELLA SERVOMECH s.r.l.

F			
E			
D			
C			
B			
A			
MODIFICHE			

 Servomech s.r.l. Anzola dell'Emilia (BO) - Italy	DATA	FIRMA	MODIFICHE				
	Disegnato: 30-03-2009	S. Zambelli	A	B	C	D	E
Verificato:			SOSTITUISCE IL				
SCALA	DENOMINAZIONE	SOSTITUITO DAL					
1 : 1	LMR01 - Cablaggio motore C.C. LMR01 - Wiring diagram for DC motor	N° DISEGNO	Rev.				
		CA.31.01.70U	A				
		Foglio 1 di 1	F.to: A3				



QUESTO DISEGNO E' DI PROPRIETA' ESCLUSIVA DELLA SERVOMECH s.r.l. NE E' PERTANTO TASSATIVAMENTE VIETATA LA RIPRODUZIONE O COMUNQUE LA CESSIONE A TERZI SENZA SPECIFICA AUTORIZZAZIONE DELLA SERVOMECH s.r.l.

F			
E			
D			
C			
B			
A			
MODIFICHE			

Servomech s.r.l.  
Anzola dell'Emilia (BO) - Italy

DATA	FIRMA	MODIFICHE
Disegnato: 30/03/2011	S.Zambelli	A   B   C   D   E   F
Verificato:		SOSTITUISCE IL
		SOSTITUITO DAL

SCALA

1 : 1

DENOMINAZIONE

LMR01 - Cablaggio motore CC. + microinterruttori FC2 (ND) + GI2x

LMR01 - Wiring diagram for DC motor + switches FC2 (ND) + GI2x

N° DISEGNO

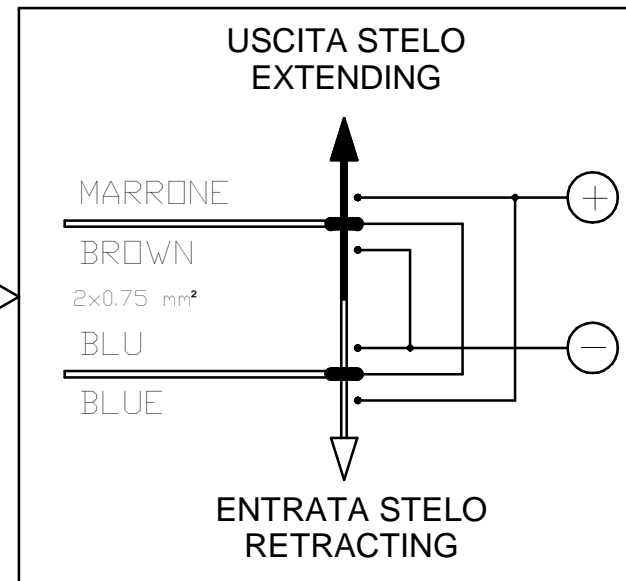
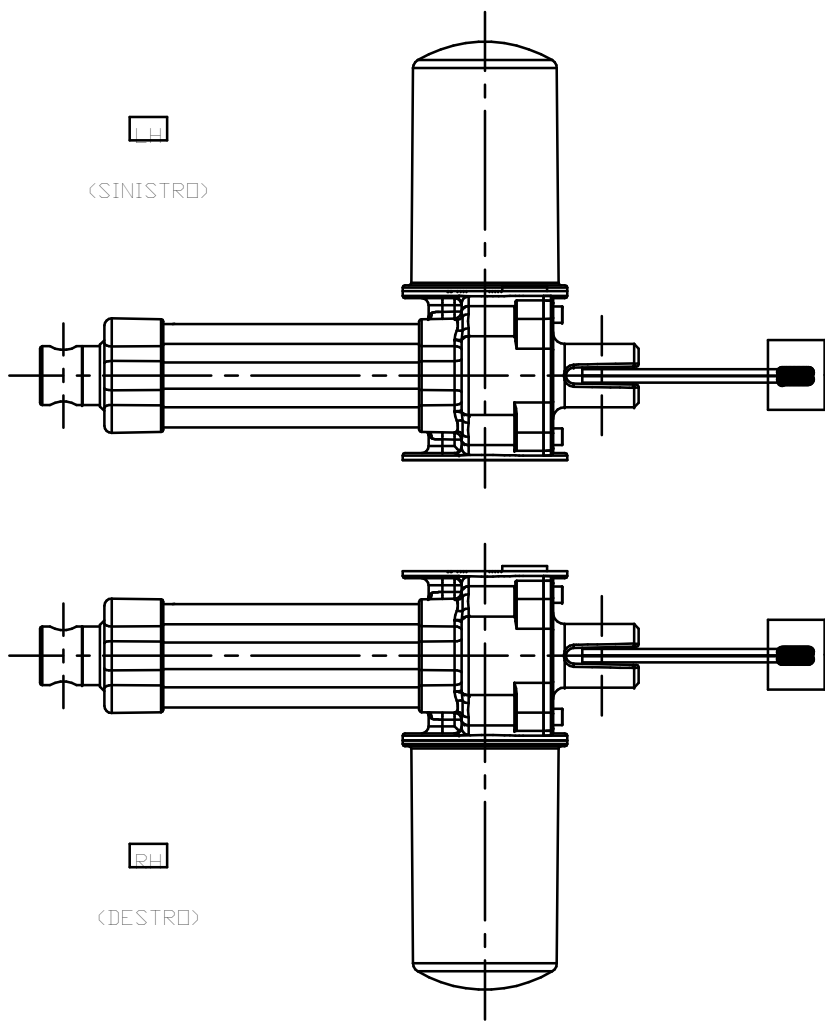
CA.31.01.74U

Foglio 1 di 1

Rev.

/

F.to: A3



QUESTO DISEGNO E' DI PROPRIETA' ESCLUSIVA DELLA SERVOMECH s.r.l. NE E' PERTANTO TASSATIVAMENTE VIETATA LA RIPRODUZIONE O COMUNQUE LA CESSIONE A TERZI SENZA SPECIFICA AUTORIZZAZIONE DELLA SERVOMECH s.r.l.

F			
E			
D			
C			
B			
A			

MODIFICHE



Servomech s.r.l.  
Anzola dell'Emilia (BO) - Italy

SCALA

DENOMINAZIONE

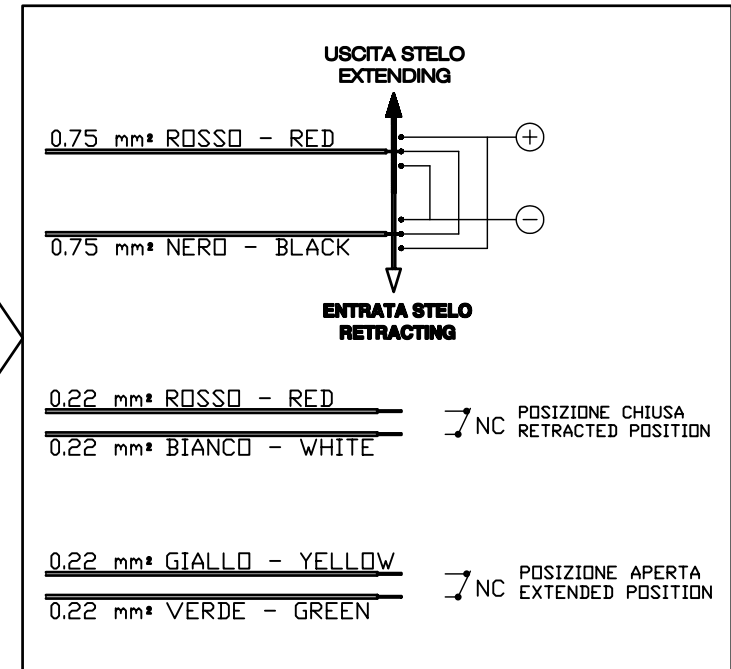
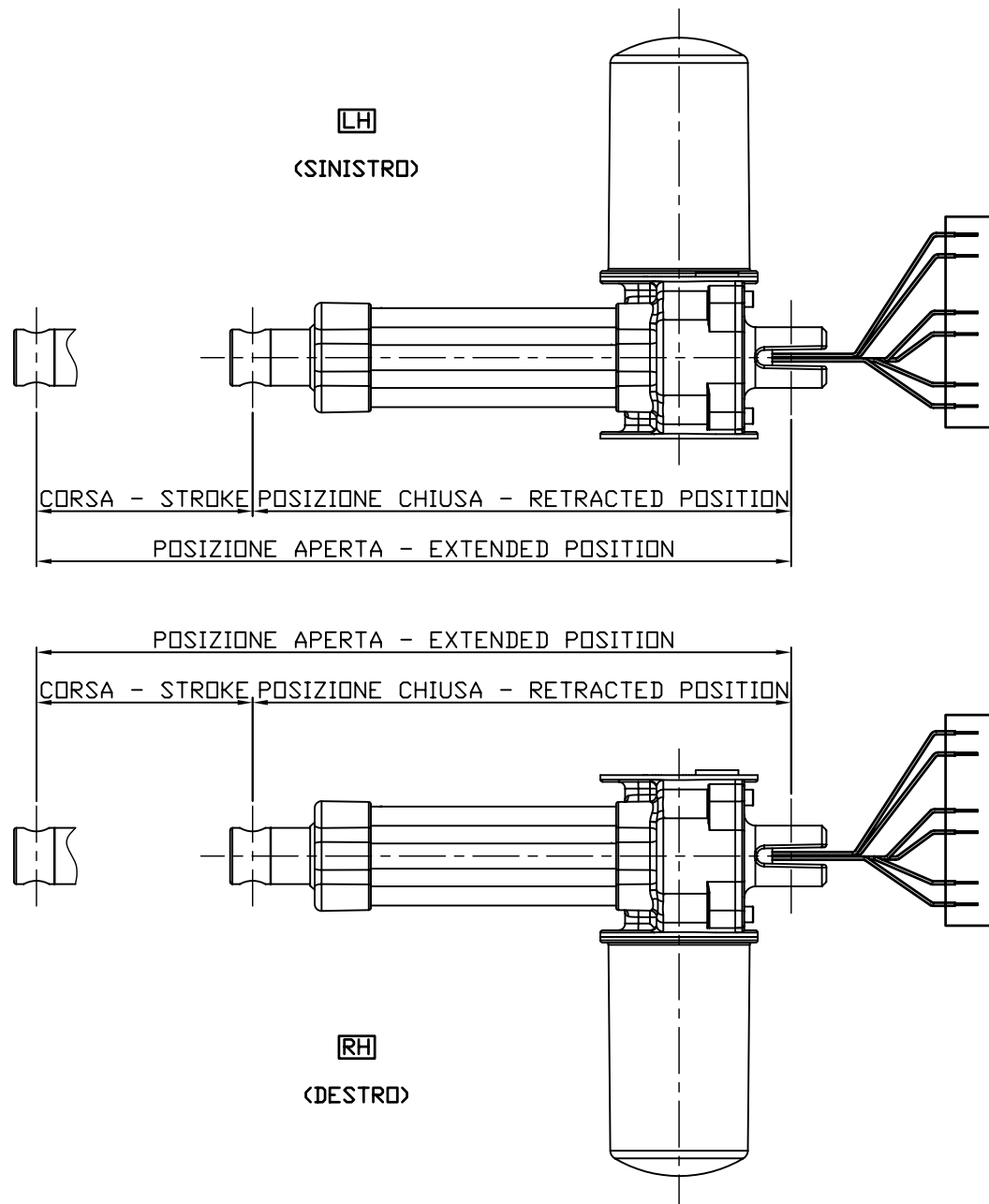
1 : 1

LMR03 - Cablaggio motore C.C. + microinterruttori FC2X  
LMR03 - Wiring diagram for DC motor + switches FC2X

	DATA	FIRMA	MODIFICHE
Disegnato:	20/09/2018	S.Zambelli	A B C D E F
Verificato:			SOSTITUISCE IL
			SOSTITUITO DAL

N° DISEGNO	Rev.
CA.31.03.01U	/
Foglio 1 di 1	F.to: A3

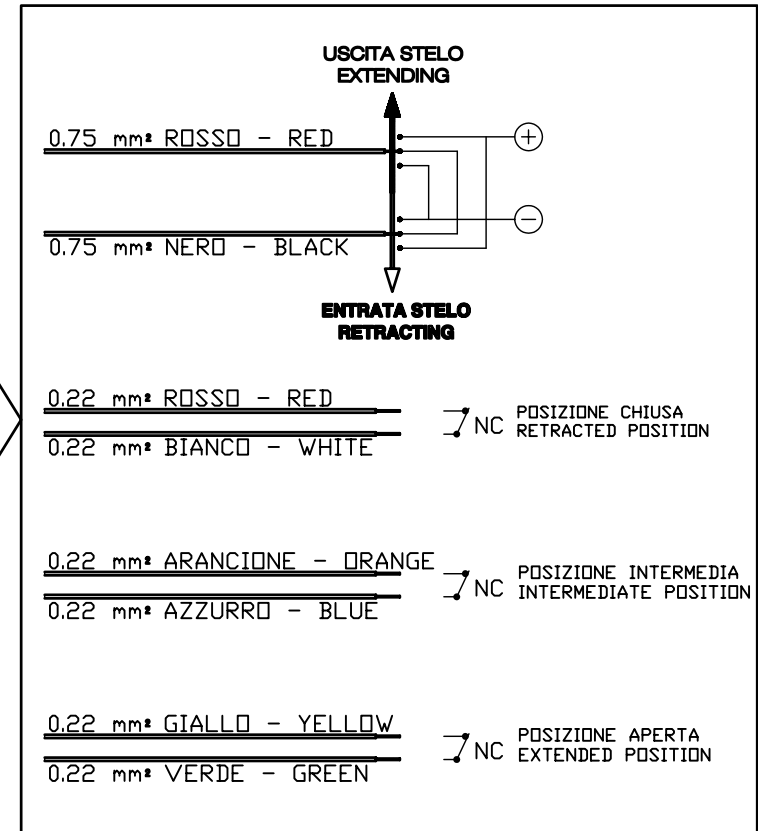
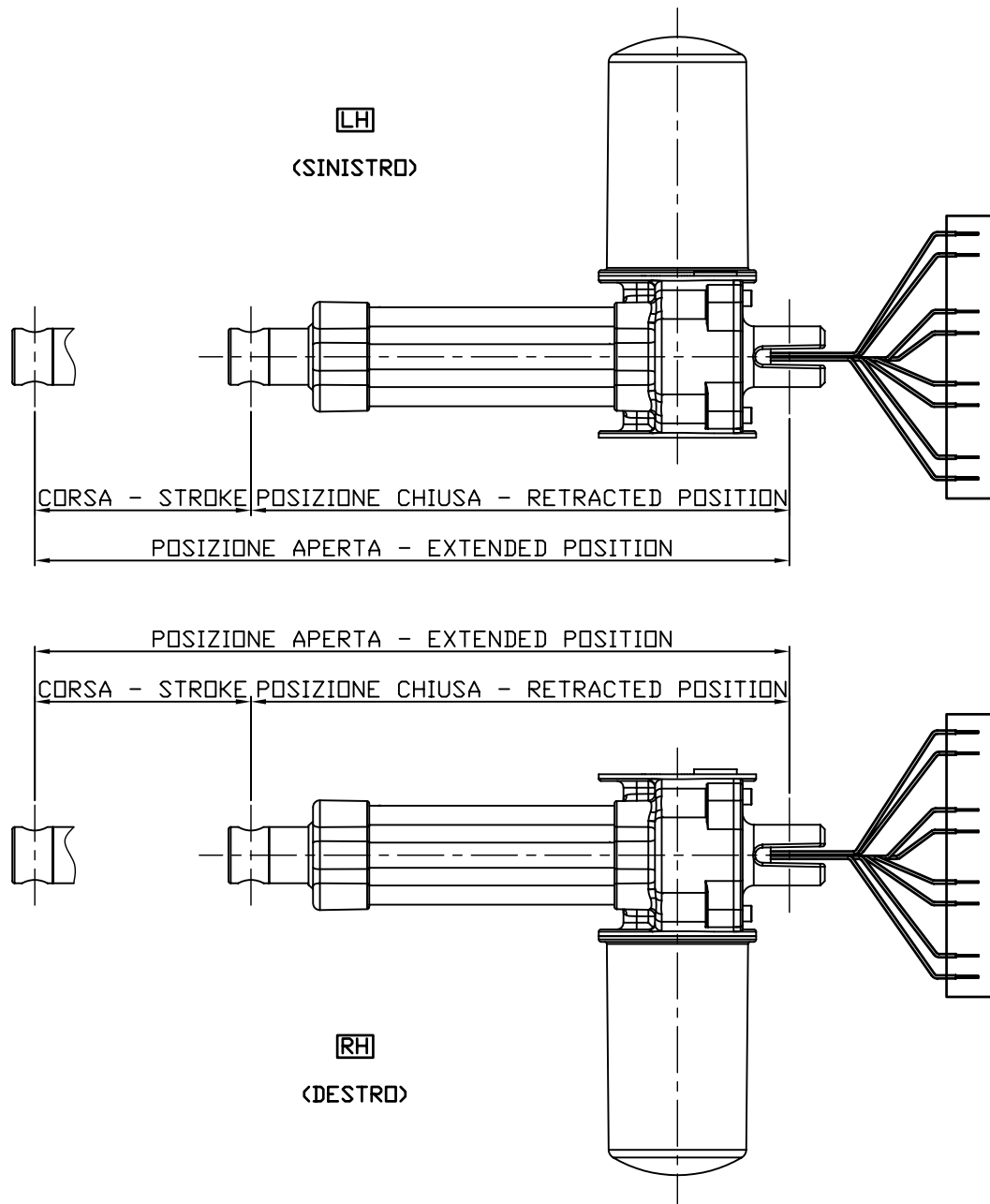




QUESTO DISEGNO E' DI PROPRIETA' ESCLUSIVA DELLA SERVOMECH s.r.l. NE E' PERTANTO TASSATIVAMENTE VIETATA LA RIPRODUZIONE O COMUNQUE LA CESSIONE A TERZI SENZA SPECIFICA AUTORIZZAZIONE DELLA SERVOMECH s.r.l.

F			
E			
D			
C			
B			
A			
MODIFICHE			

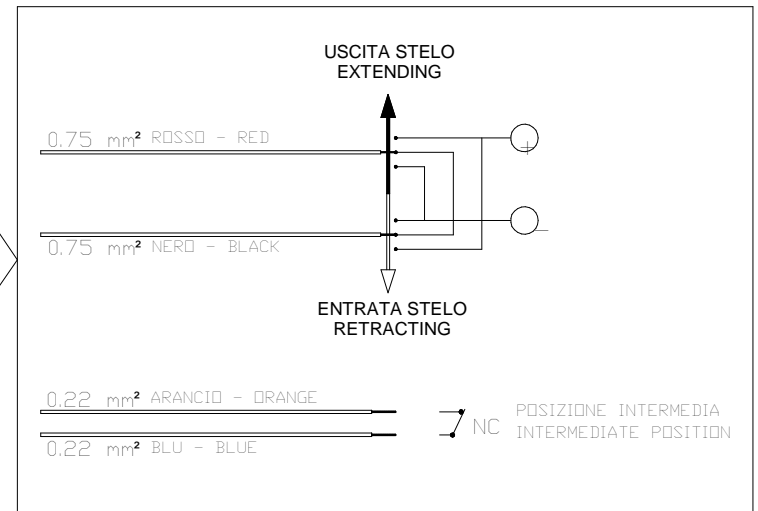
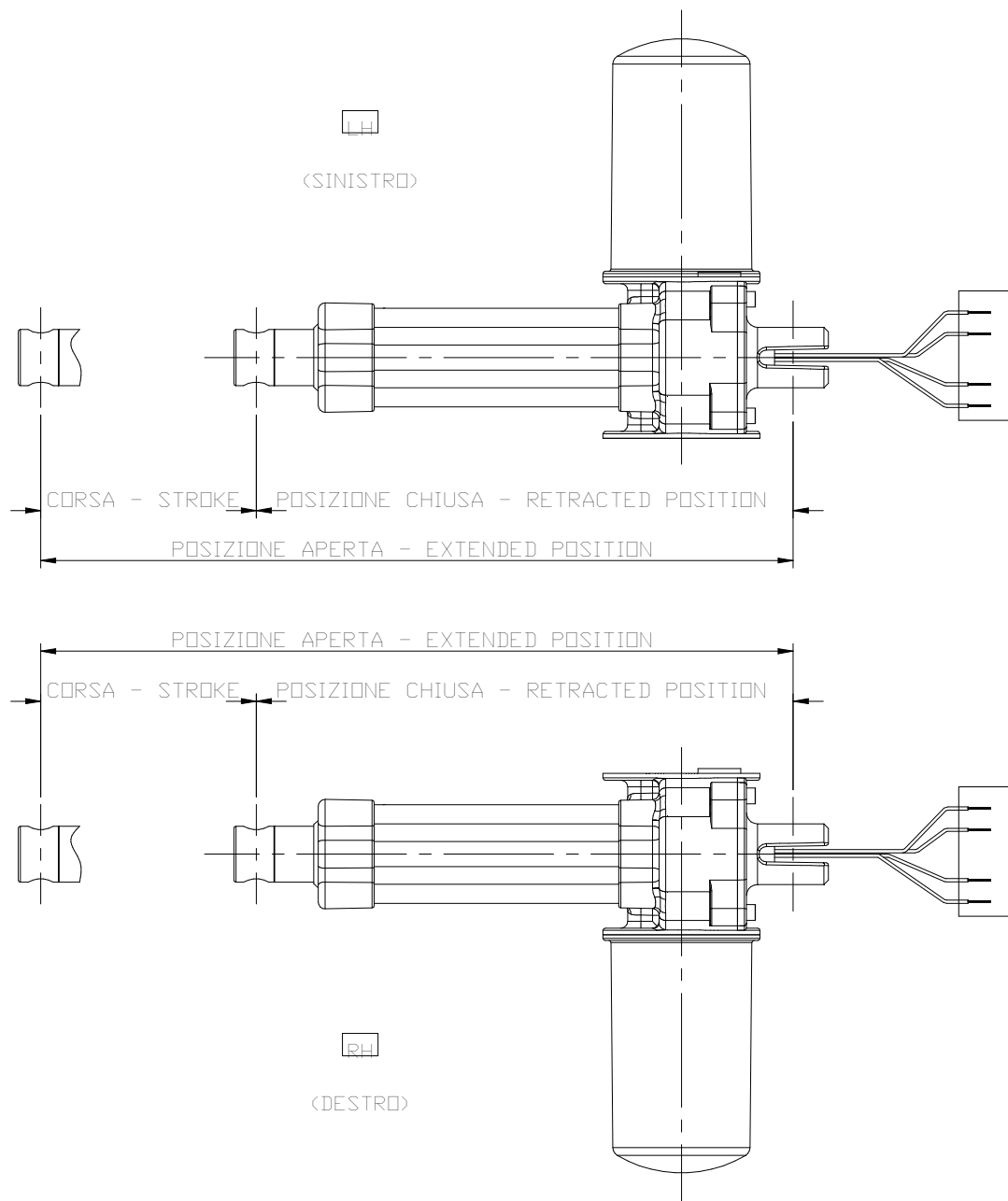
<b>Linear-Mech.</b> Servomech s.r.l. Anzola dell'Emilia (BO) - Italy	DATA	FIRMA	MODIFICHE				
	Disegnato: 11/2005	C. Fornelli	A	B	C	D	E
Verificato: 11/2005	V. Petkovic	SOSTITUISCE IL		SOSTITUITO DAL			
SCALA	DENOMINAZIONE	N° DISEGNO	Rev.				
1 : 1	LMR03 - Cablaggio motore C.C. + microinterruttori FC2 (NC)	CA.31.03.02U	/				
	LMR03 - Wiring diagram for DC motor + switches FC2 (NC)	Foglio 1 di 1	F.to: A3				



QUESTO DISEGNO E' DI PROPRIETA' ESCLUSIVA DELLA SERVOMECH s.r.l. NE E' PERTANTO TASSATIVAMENTE VIETATA LA RIPRODUZIONE O COMUNQUE LA CESSIONE A TERZI SENZA SPECIFICA AUTORIZZAZIONE DELLA SERVOMECH s.r.l.

F			
E			
D			
C			
B			
A			
MODIFICHE			

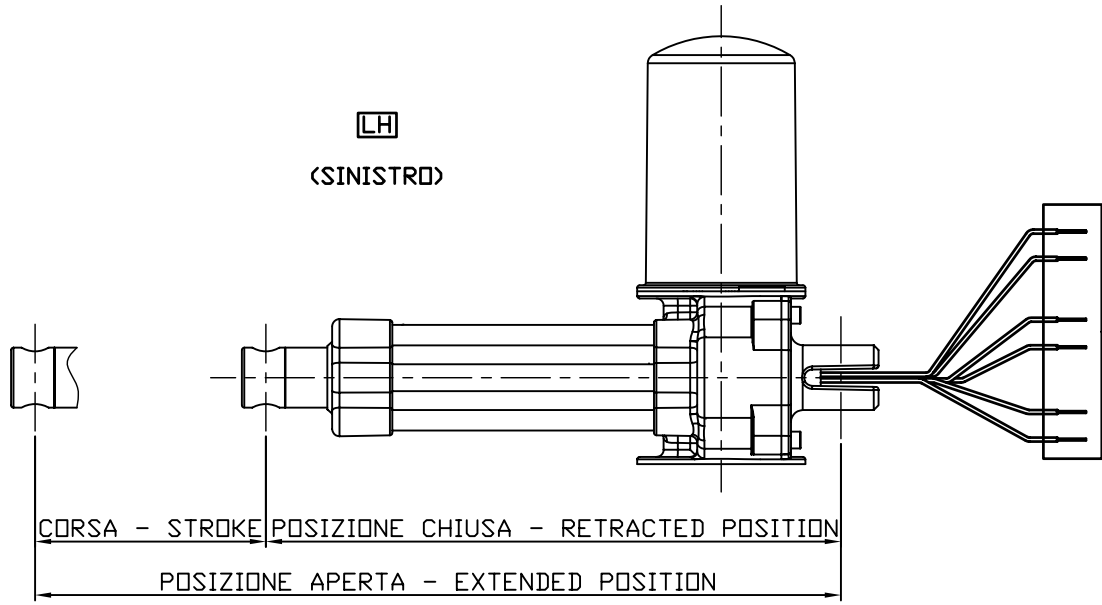
<b>Linear-Moek</b> Servomech s.r.l. Anzola dell'Emilia (BO) - Italy	DATA	FIRMA	MODIFICHE				
	Disegnato: 11/2005	C. Fornelli	A	B	C	D	E
Verificato: 11/2005	V. Petkovic	SOSTITUISCE IL		SOSTITUITO DAL			
SCALA	DENOMINAZIONE	N° DISEGNO	Rev.				
1 : 1	LMR03 - Cablaggio motore C.C. + microinterruttori FC3 (NC)	CA.31.03.03U	/				
	LMR03 - Wiring diagram for DC motor + switches FC3 (NC)	Foglio 1 di 1	F.to: A3				



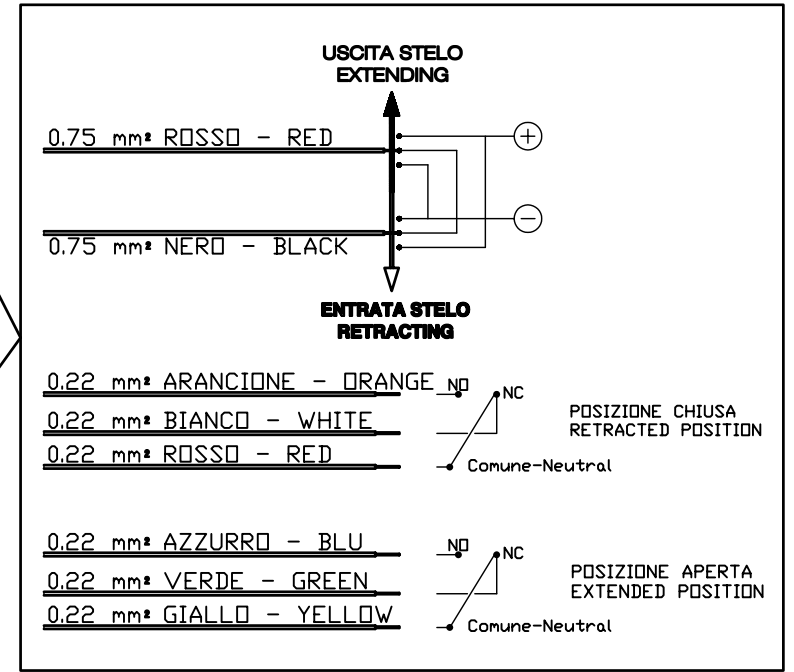
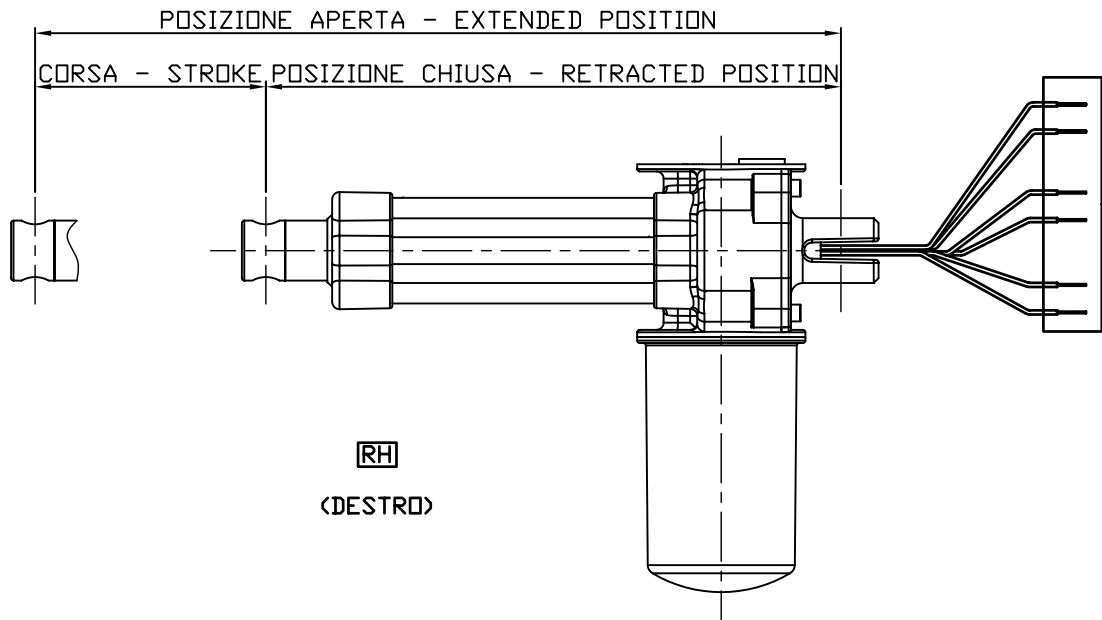
QUESTO DISEGNO E' DI PROPRIETA' ESCLUSIVA DELLA SERVOMECH s.r.l. NE E' PERTANTO TASSATIVAMENTE VIETATA LA RIPRODUZIONE O COMUNQUE LA CESSIONE A TERZI SENZA SPECIFICA AUTORIZZAZIONE DELLA SERVOMECH s.r.l.

F				 Servomech s.r.l. Anzola dell'Emilia (BO) - Italy	DATA	FIRMA	MODIFICHE						
E					Disegnato:	22/01/2016	S.Zambelli	A	B	C	D	E	F
D					Verificato:			SOSTITUISCE IL					
C								SOSTITUITO DAL					
B					SCALA	DENOMINAZIONE		N° DISEGNO		Rev.			
A					1 : 1	LMR03 - Cablaggio motore C.C. + microinterruttori FC2X+FC (NC) LMR03 - Wiring diagram for DC motor + switches FC2X+FC (NC)							
MODIFICHE							Foglio 1 di 1		F.to: A3				

**LH**  
(SINISTRO)



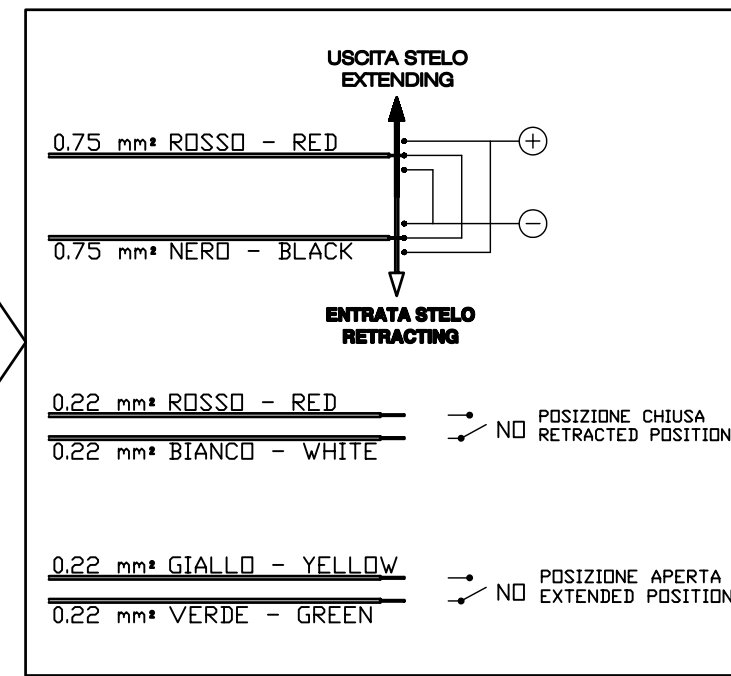
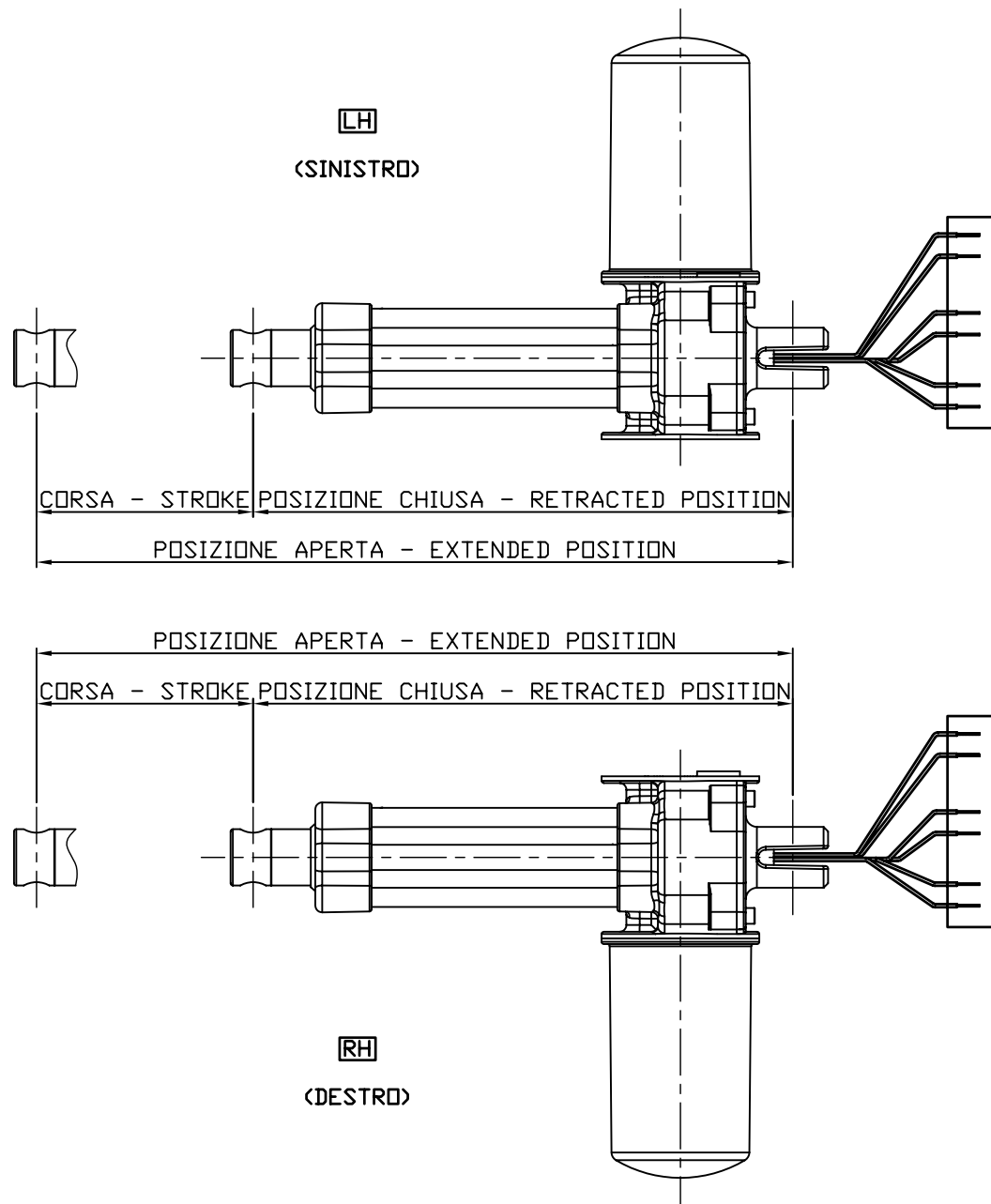
**RH**  
(DESTRO)



QUESTO DISEGNO E' DI PROPRIETA' ESCLUSIVA DELLA SERVOMECH s.r.l. NE E' PERTANTO TASSATIVAMENTE VIETATA LA RIPRODUZIONE O COMUNQUE LA CESSIONE A TERZI SENZA SPECIFICA AUTORIZZAZIONE DELLA SERVOMECH s.r.l.

F			
E			
D			
C			
B			
A			
MODIFICHE			

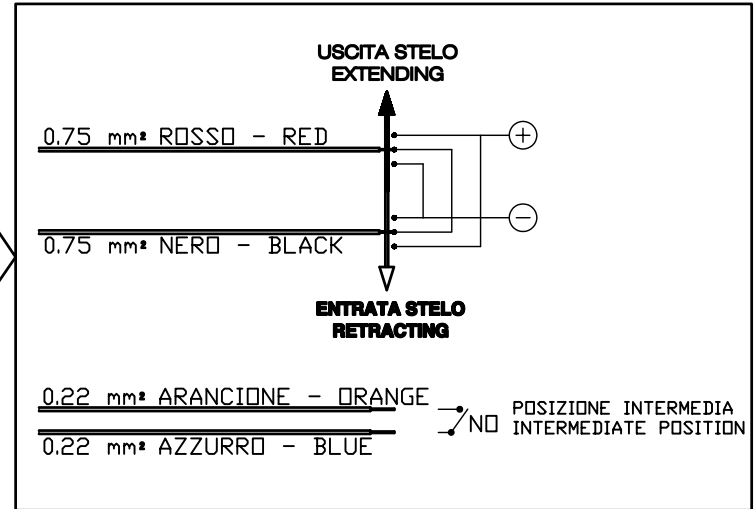
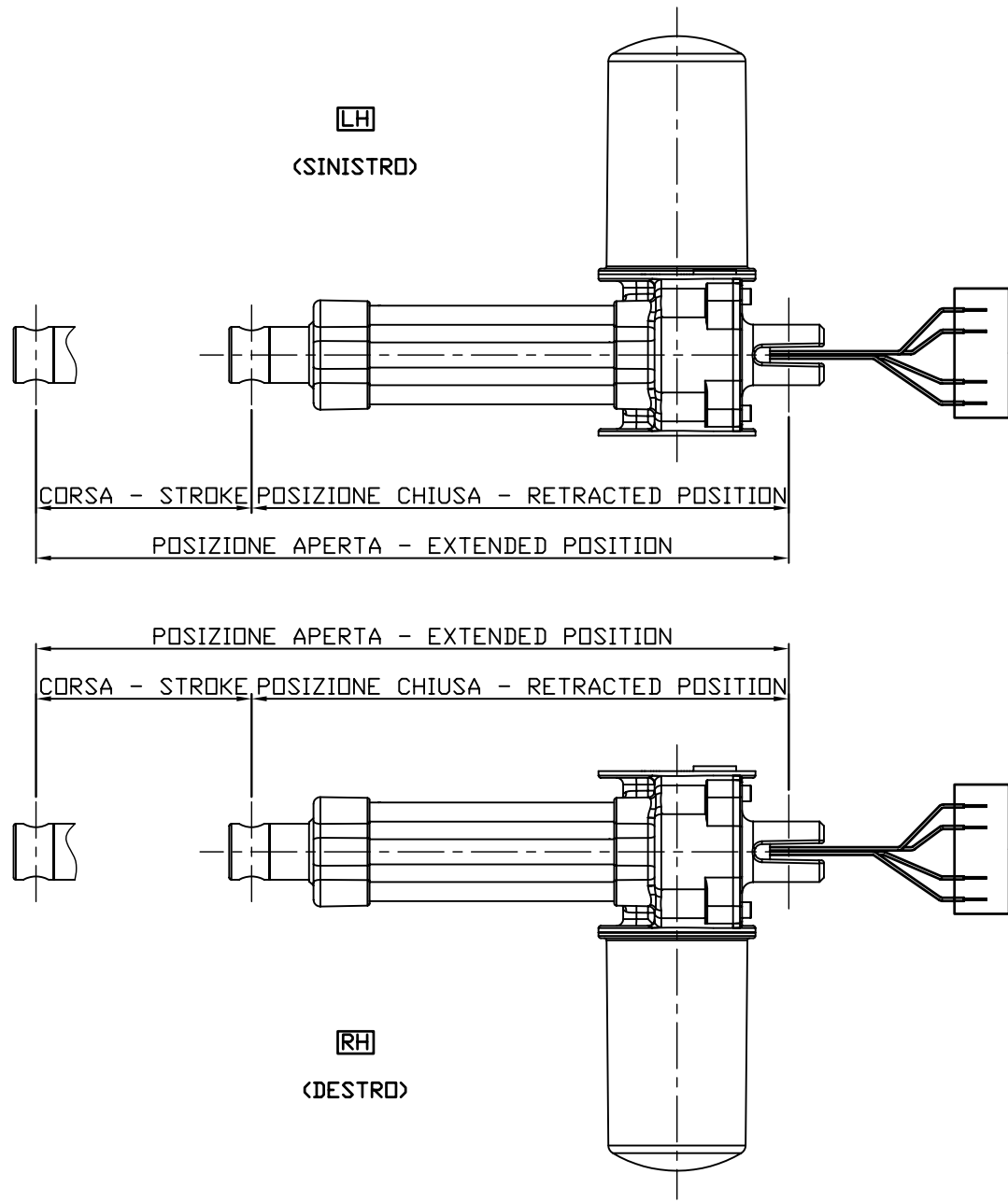
<b>Linear-Mock</b> Servomech s.r.l. Anzola dell'Emilia (BO) - Italy	DATA	FIRMA	MODIFICHE				
	Disegnato: 11/2005	C. Fornelli	A	B	C	D	E
Verificato: 11/2005	V. Petkovic	SOSTITUISCE IL		SOSTITUITO DAL			
SCALA	DENOMINAZIONE	N° DISEGNO	Rev.				
1 : 1	LMR03 - Cablaggio motore C.C. + microinterruttori FC2 (CS)	CA.31.03.05U	/				
	LMR03 - Wiring diagram for DC motor + switches FC2 (CS)	Foglio 1 di 1	F.to: A3				



QUESTO DISEGNO E' DI PROPRIETA' ESCLUSIVA DELLA SERVOMECH s.r.l. NE E' PERTANTO TASSATIVAMENTE VIETATA LA RIPRODUZIONE O COMUNQUE LA CESSIONE A TERZI SENZA SPECIFICA AUTORIZZAZIONE DELLA SERVOMECH s.r.l.

F			
E			
D			
C			
B			
A			
MODIFICHE			

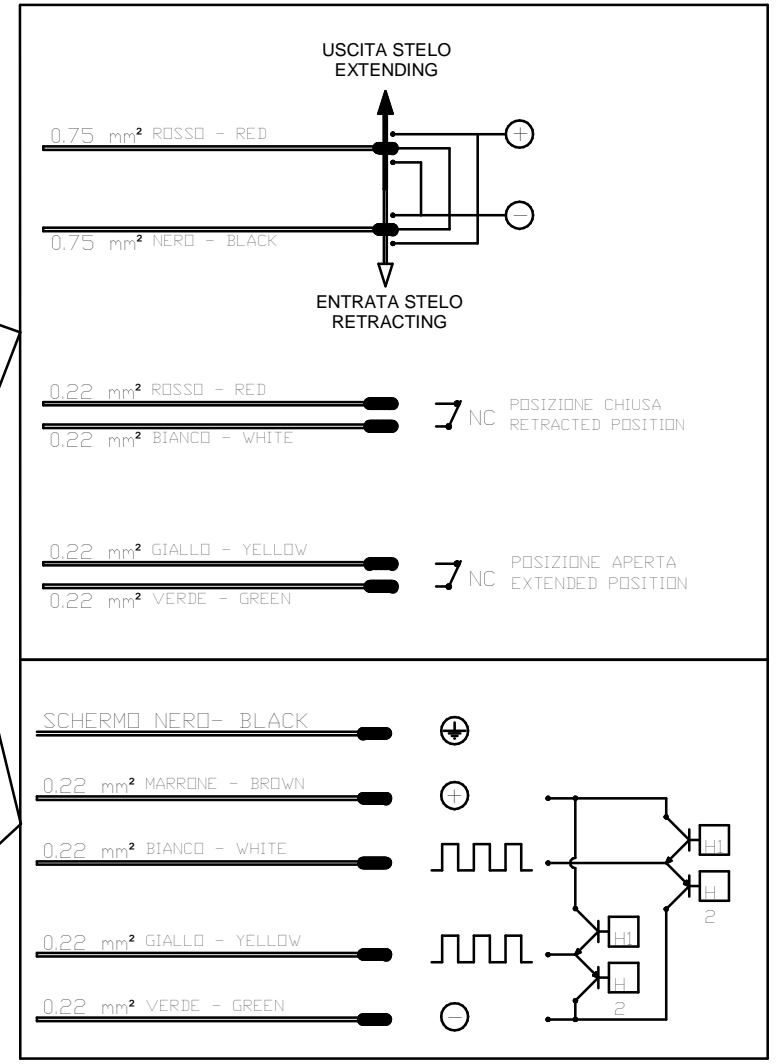
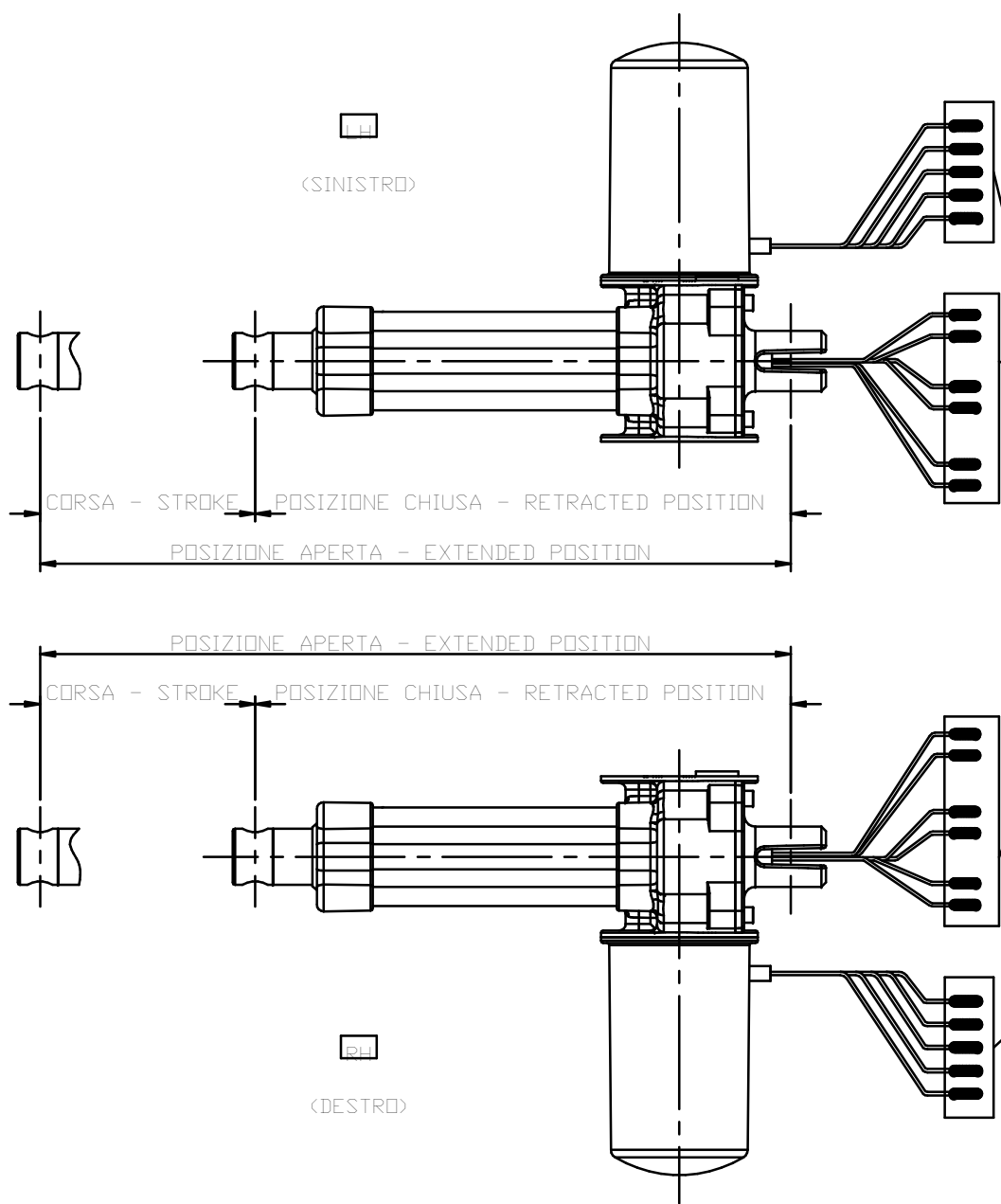
<b>Linear-Mech.</b> Servomech s.r.l. Anzola dell'Emilia (BO) - Italy	DATA	FIRMA	MODIFICHE				
	Disegnato: 03/2006	C. Fornelli	A	B	C	D	E
Verificato: 03/2006	V. Petkovic	SOSTITUISCE IL		SOSTITUITO DAL			
SCALA	DENOMINAZIONE	N° DISEGNO	Rev.				
1 : 1	LMR03 - Cablaggio motore C.C. + microinterruttori FC2 (ND)	CA.31.03.18U	/				
	LMR03 - Wiring diagram for DC motor + switches FC2 (ND)	Foglio 1 di 1	F.to: A3				



QUESTO DISEGNO E' DI PROPRIETA' ESCLUSIVA DELLA SERVOMECH s.r.l. NE E' PERTANTO TASSATIVAMENTE VIETATA LA RIPRODUZIONE O COMUNQUE LA CESSIONE A TERZI SENZA SPECIFICA AUTORIZZAZIONE DELLA SERVOMECH s.r.l.

F			
E			
D			
C			
B			
A			
MODIFICHE			

<b>Linear-Mech.</b> Servomech s.r.l. Anzola dell'Emilia (BO) - Italy	DATA	FIRMA	MODIFICHE				
	Disegnato: 11/2005	C. Fornelli	A	B	C	D	E
Verificato: 11/2005	V. Petkovic	SOSTITUISCE IL		SOSTITUITO DAL			
SCALA	DENOMINAZIONE	N° DISEGNO	Rev.				
1 : 1	LMR03 - Cablaggio motore C.C. + microinterruttori FC2X+FC (ND) LMR03 - Wiring diagram for DC motor + switches FC2X+FC (ND)	CA.31.03.20U	/				
		Foglio 1 di 1	F.to: A3				

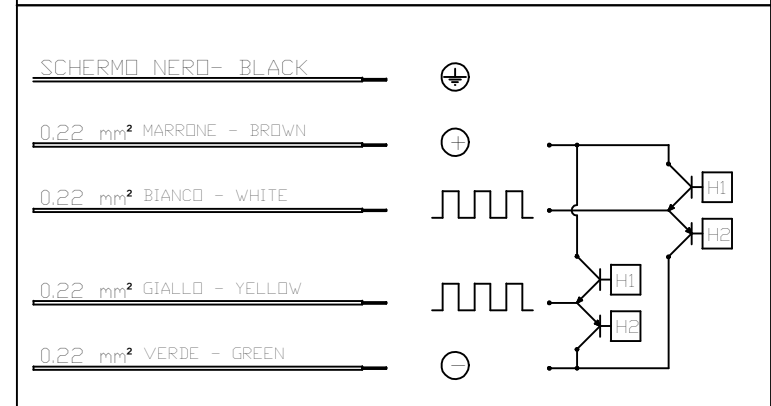
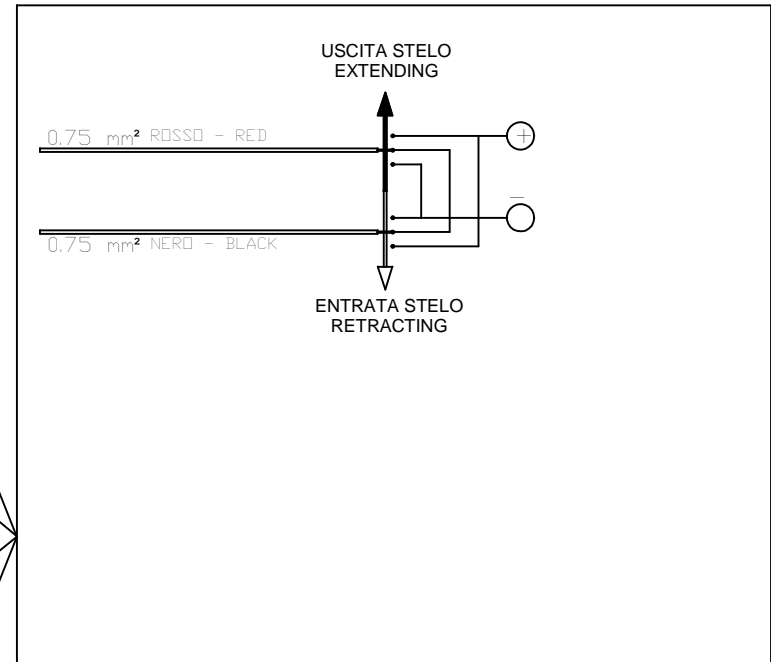
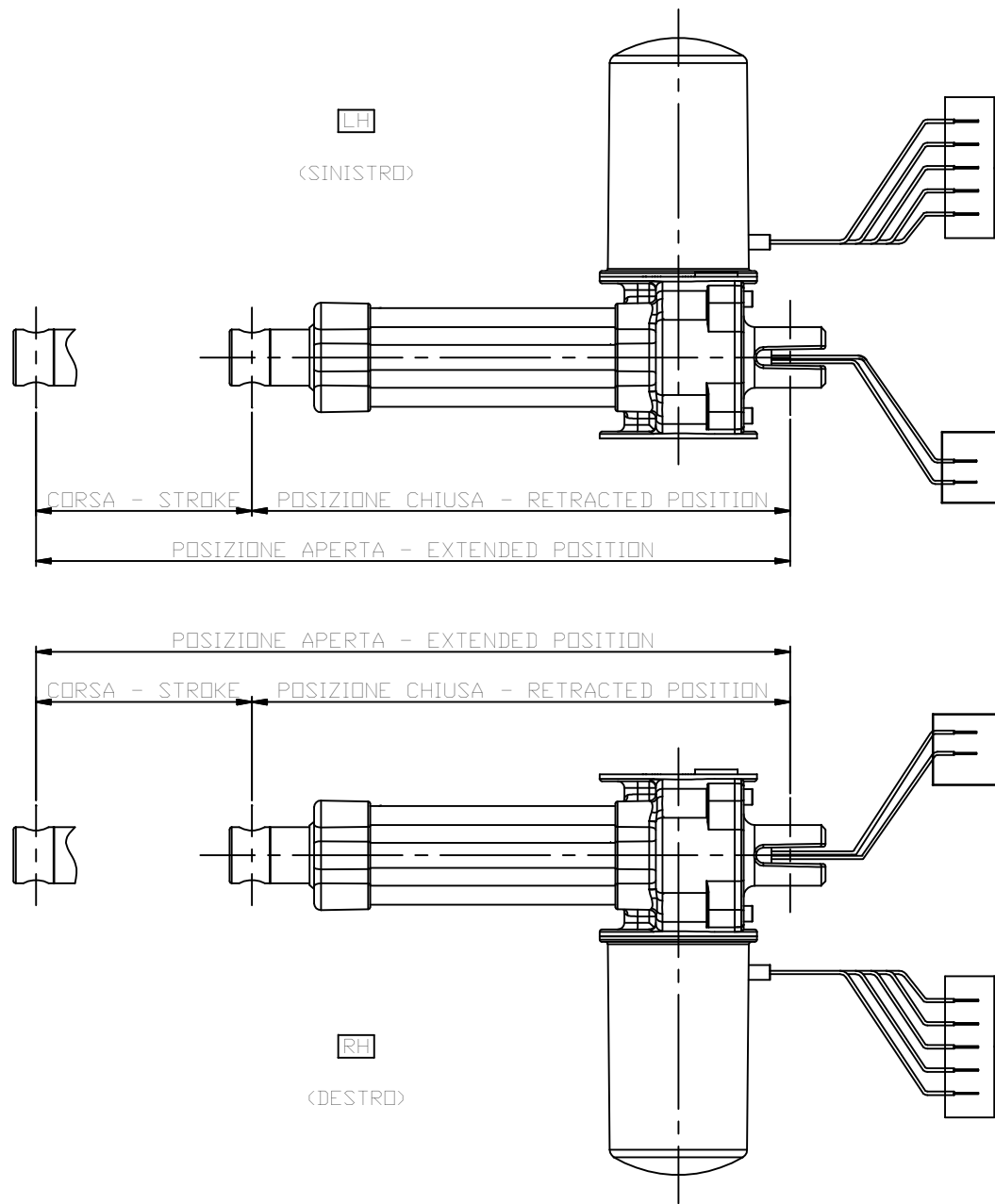


QUESTO DISEGNO E' DI PROPRIETA' ESCLUSIVA DELLA SERVOMECH s.r.l. NE E' PERTANTO TASSATIVAMENTE VIETATA LA RIPRODUZIONE O COMUNQUE LA CESSIONE A TERZI SENZA SPECIFICA AUTORIZZAZIONE DELLA SERVOMECH s.r.l.

F				
E				
D				
C				
B				
A				

**Linear-Mech**  
 Servomech s.r.l.  
 Anzola dell'Emilia (BO) - Italy

SCALA	1 : 1	DATA	11/06/2018	FIRMA	S. Zambelli	MODIFICHE					
Disegnato:						A	B	C	D	E	F
Verificato:						SOSTITUISCE IL					
						SOSTITUITO DAL					
DENOMINAZIONE						N° DISEGNO		Rev.			
LMR03 - Cablaggio motore C.C. + microinterruttori FC2 (NC) + Gi2x						CA.31.03.60U		/			
LMR03 - Wiring diagram for DC motor + switches FC2 (NC) + Gi2x						Foglio 1 di 1		F.to: A3			



QUESTO DISEGNO E' DI PROPRIETA' ESCLUSIVA DELLA LINEARMECH s.r.l. NE E' PERTANTO TASSATIVAMENTE VIETATA LA RIPRODUZIONE O COMUNQUE LA CESSIONE A TERZI SENZA SPECIFICA AUTORIZZAZIONE DELLA LINEARMECH s.r.l.

	DATA	FIRMA	MODIFICHE				
	Disegnato: 22/03/2011	S.Zambelli	A	B	C	D	E
Verificato:			SOSTITUISCE IL				
			SOSTITUITO DAL				
SCALA	DENOMINAZIONE	N° DISEGNO	Rev				
1 : 1	LMR03 - Cablaggio motore C.C. + microinterruttori FC2X + GI2x LMR03 - Wiring diagram for DC motor + switches FC2X + GI2x	CA.31.03.72U	/				

Foglio 1 di 1 F.to: A3

F				
E				
D				
C				
B				
A				
MODIFICHE				