

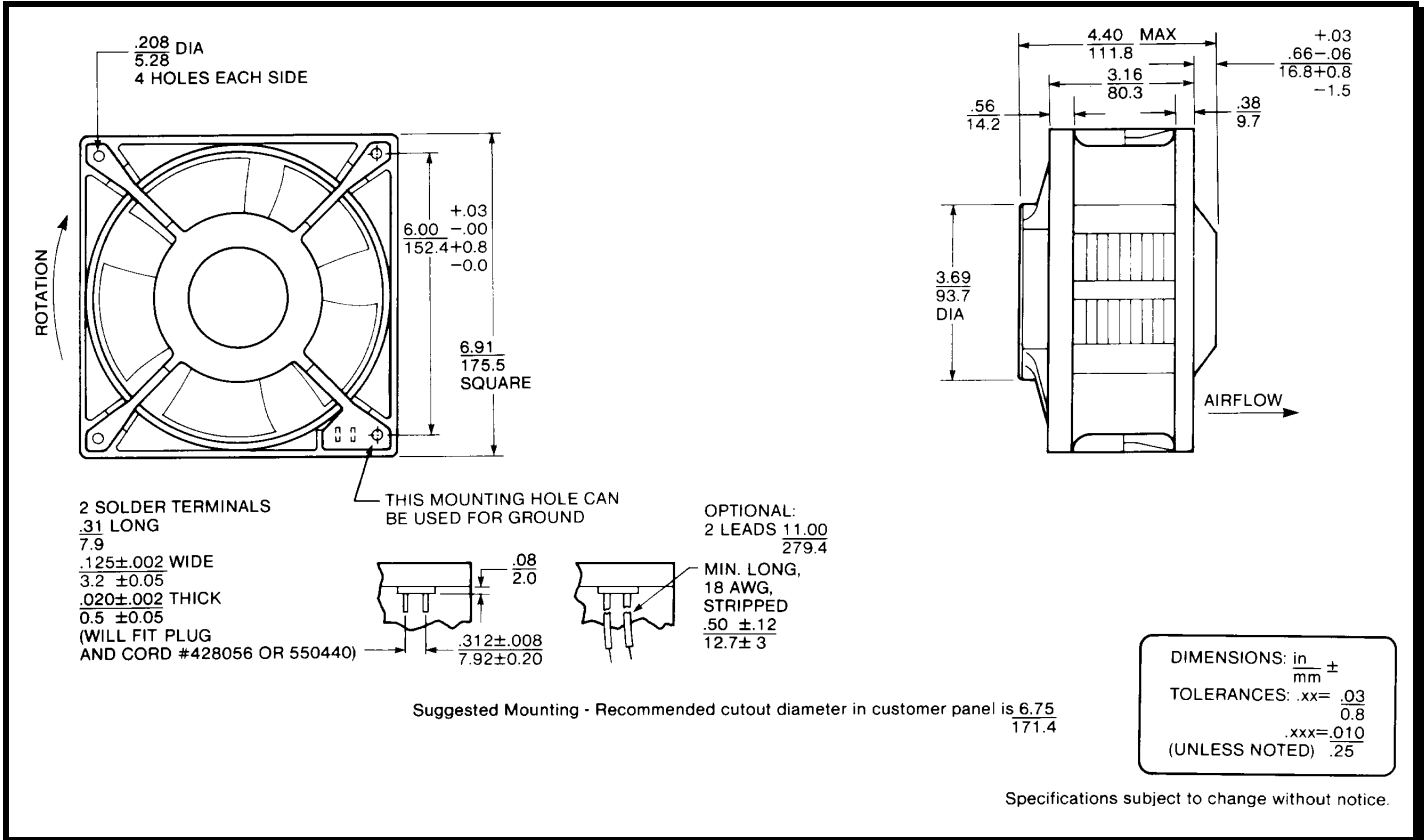
SPECIFICATIONS



Model Number: TNE2C
Part Number: 19020169A

Apr. 01, 2016

Mechanical Drawing:



Specifications:

Frequency	= 50 / 60 Hz
Nominal Voltage	= 115 VAC
Nominal Running Current	= 0.530 amps
Max. Locked Rotor Current	= 1.350 amps
Running Power	= 56 watts
Average Speed	= 3480 RPM
Bearings	= Ball
Air Flow	= 280 / 340 CFM
Acoustic	= 61.6 / 65.4 dBA

Construction:

Venturi: Plastic, Black, UL 94V-0
 Propeller & Cover: Plastic, Black, UL 94V-0

Life Expectancy:

This fan is designed for continuous duty life of 25,000 hours at 40°C.

Motor:

Permanent Split Capacitor Motor
 Automatic Reset Thermal Protector
 Locked Rotor Protection
 Operating Temperature: -10 °C to 70 °C
 Storage Temperature: -40 °C to 85 °C

Termination:

12" Lead wires, 18 AWG, UL 1015

Agency Approvals:

UL, CE