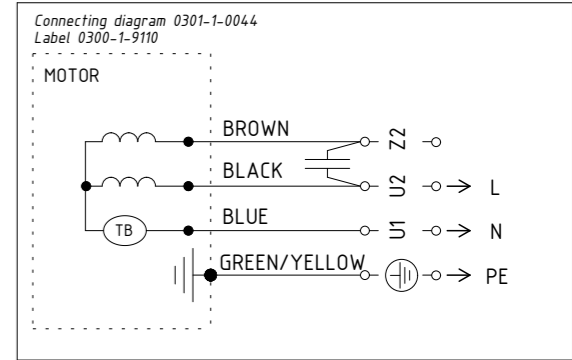
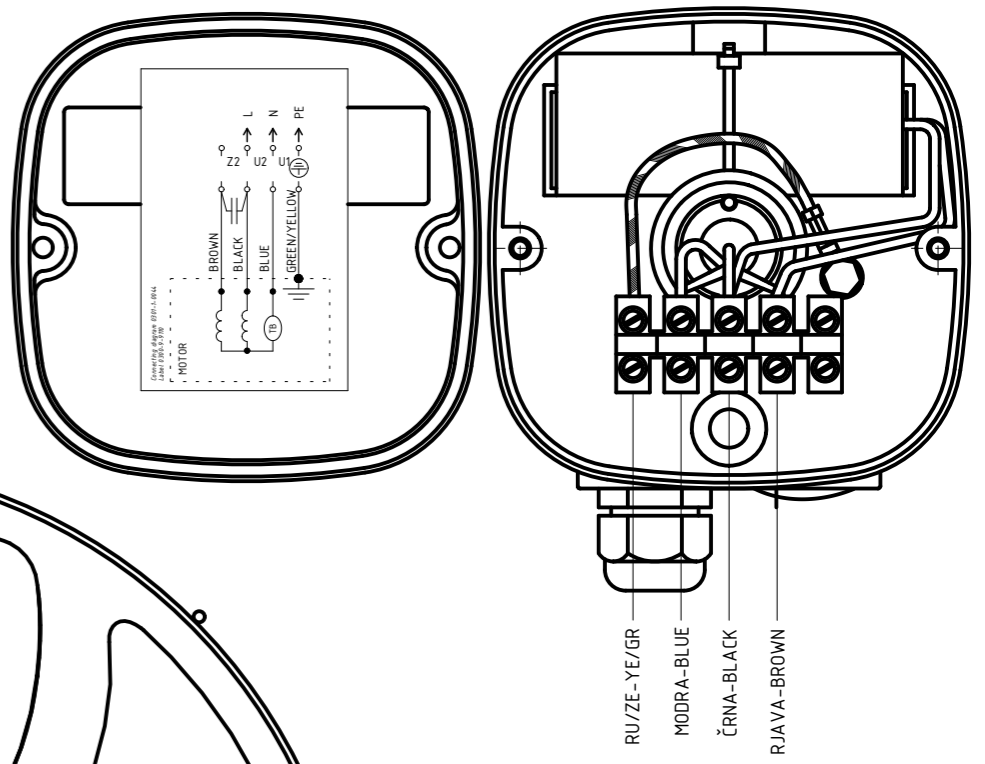
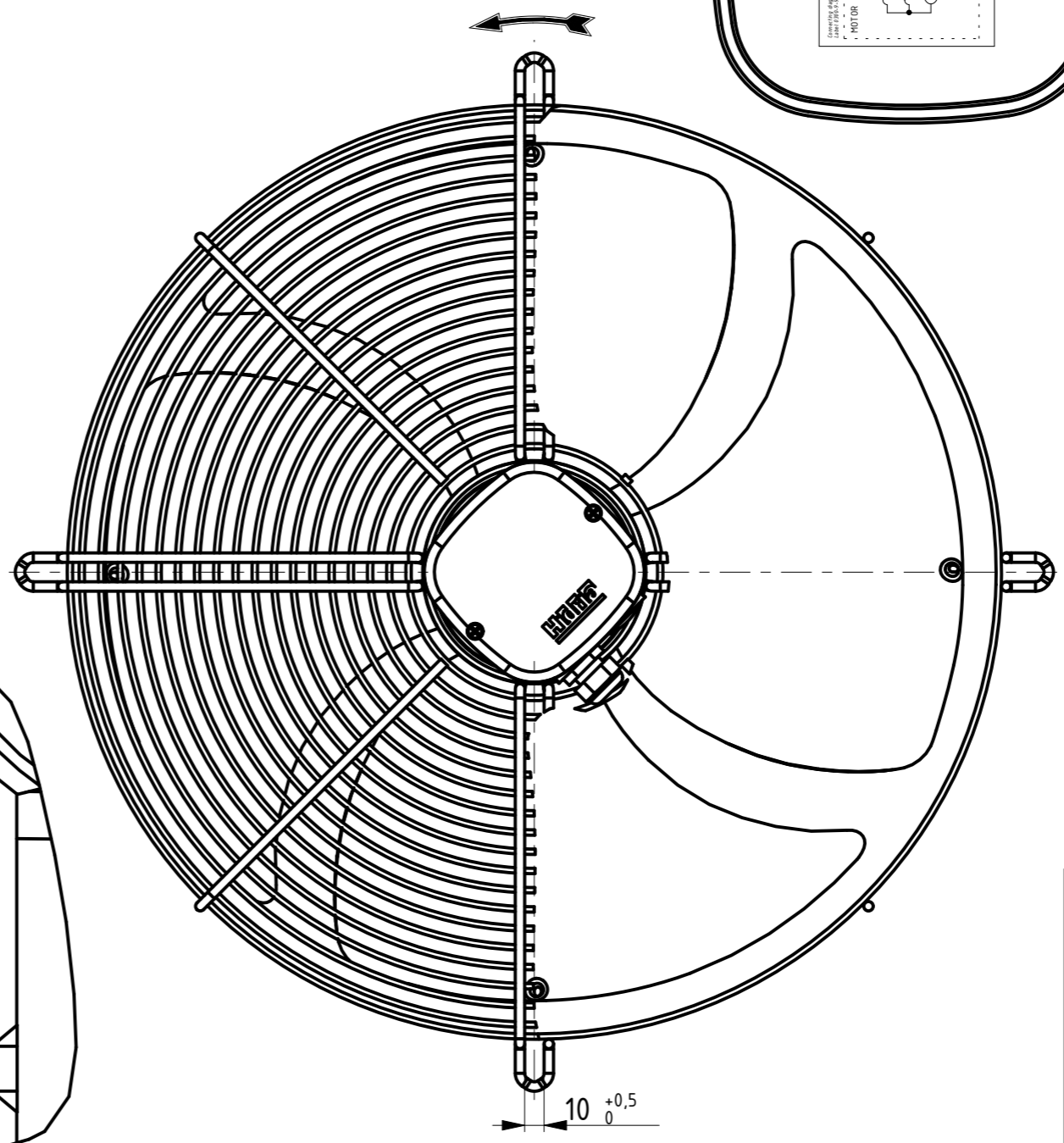
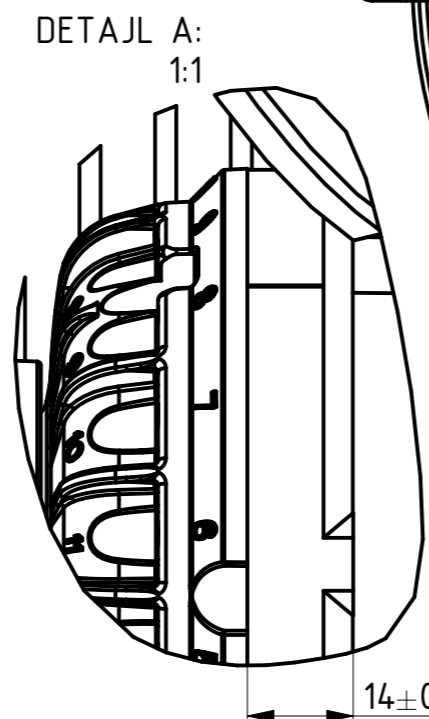
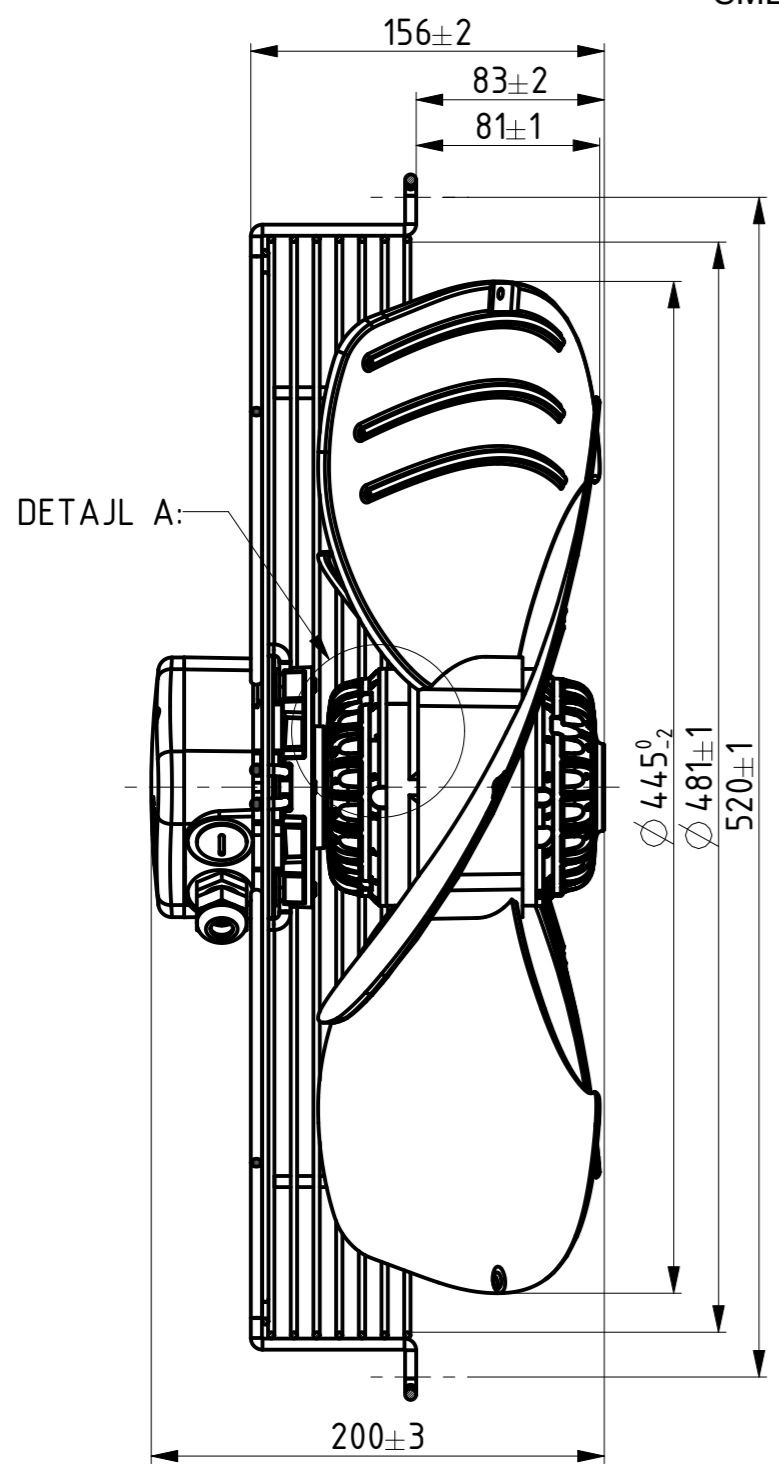


All drawings, regardless of form, are owned by Hidria Rotomatika d.o.o. and are strictly confidential and present copyright. Intellectual Property Rights as follows rights under the laws of patents, petty patents, design patents and registered designs, copyrights, trade secret rights, and similar exclusive rights in industrial property connected with the drawings are reserved by Hidria Rotomatika d.o.o.. Disclosure to any third party is strictly forbidden.

SUCKING
 AIRFLOW DIRECTION
 SMER ZRAKA



Opomba:
 - navodilo za kontrolo ventilatorja 0301-1-4304
 - checking instruction 0301-1-4304
 - na embalažo dodati nalepko - NADOMESTNI VENTILATOR

(KODA VENTILATORJA)
FAN FOR REPLACEMENT ONLY
 For installation in application:

Hidria MADE IN SLOVENIA **CE** DATE
R11R-45EPA-6M-5105
 1~230V 50Hz 150/80W 0.7A
 880RPM IP54 INS.CL.155 C=5µF/400V
 TH.PROT. ROT. 0311-4-0001

1	B	Na risbo se doda opomba ter simbol za dodajanje nalepke za nadomestni ventilator. Spremeni se verzija z AA v AB. Risba v Windchillu je skladna z risbo v arhivu.	08.04.13	Uroš T.
Št.spremembe: Change nbr.:	Verzija: Revision:	Opis spremembe: Description of change:	Datum: Date:	Izdelal: Produced:
MERILO/FORMAT 3:10 / A3	PDM VERZIJA PDM VERSION B.2	NETOLERIRANE MERE UNTOLERANCED DIM. ISO 2768-m	NAZIV: TITLE: VENTILATOR R11R-45EPA-6M-5105	
Potrjeno/Approved		POVRŠINSKA OBD. SURFACE TEXTURE	KODA: CODE: 0311-4-0001	
Hidria		MATERIAL	VERZIJA ARTIKLA: REVISION ARTICLE: AB	LIST: SHEET: 1
RISAL PROJEKTIRAL	03.07.03	Uroš K.	OD: OF: 1	