

Flow and check valves ▶ Logic valves

Shuttle valve (OR)

▶ Compressed air connection input: M5 - G 1/4 ▶ compressed air connection output: M5 - G 1/4



P354_200

Version	Poppet valve
Sealing principle	Soft sealing
Working pressure min./max.	See table below
Ambient temperature min./max.	-20 °C / +70 °C
Medium temperature min./max.	-20 °C / +70 °C
Medium	Compressed air
Max. particle size	5 μm
Oil content of compressed air	0 mg/m³ - 1 mg/m³

Materials:	
Housing	Aluminum
Seals	Acrylonitrile Butadiene Rubber
Threaded bushing	Aluminum

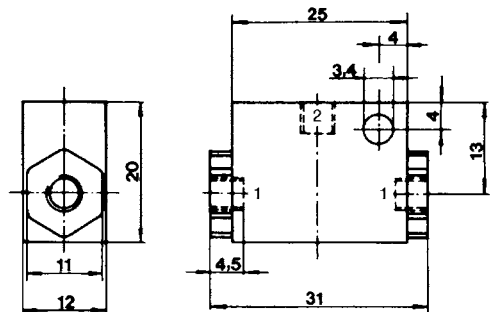
Technical Remarks

- The pressure dew point must be at least 15 °C under ambient and medium temperature and may not exceed 3 °C.
- The oil content of compressed air must remain constant during the life cycle.
- Use only the approved oils from AVENTICS, see chapter „Technical information“.

	Compressed air connection		Nominal width	Working pressure min./max.	Weight	Fig.	Part No.
	Input	Output					
				[bar]	[kg]		
	M5	M5	2	1 / 10	0.015	Fig. 1	5342000000
	G 1/8	G 1/8	4	0.5 / 10	0.12	Fig. 2	5342010100
	Ø6x1	Ø6x1	4	0.5 / 10	0.12	Fig. 3	5342010200
	G 1/4	G 1/4	5	0.3 / 10	0.13	Fig. 4	5340170100

Nominal flow Qn at 6 bar and Δp = 1 bar

Fig. 1

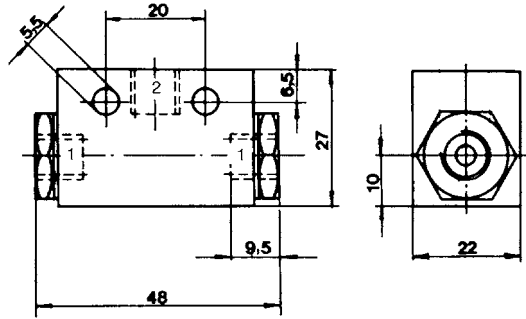


D534_200_a

Shuttle valve (OR)

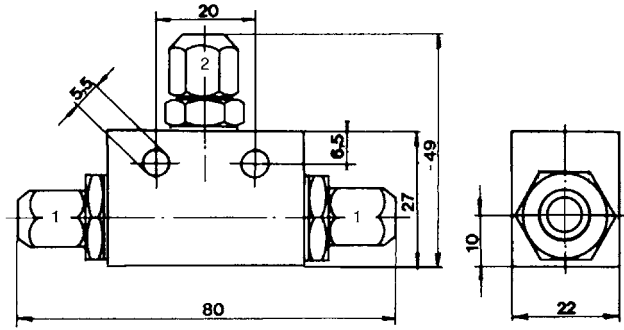
▶ Compressed air connection input: M5 - G 1/4 ▶ compressed air connection output: M5 - G 1/4

Fig. 2



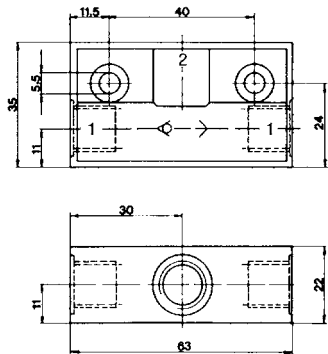
D534_200_b

Fig. 3



D534_200_c

Fig. 4



D534_200_d